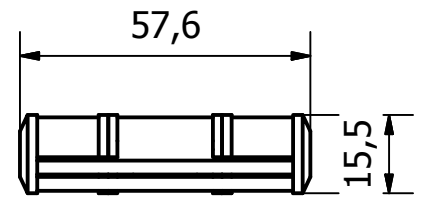
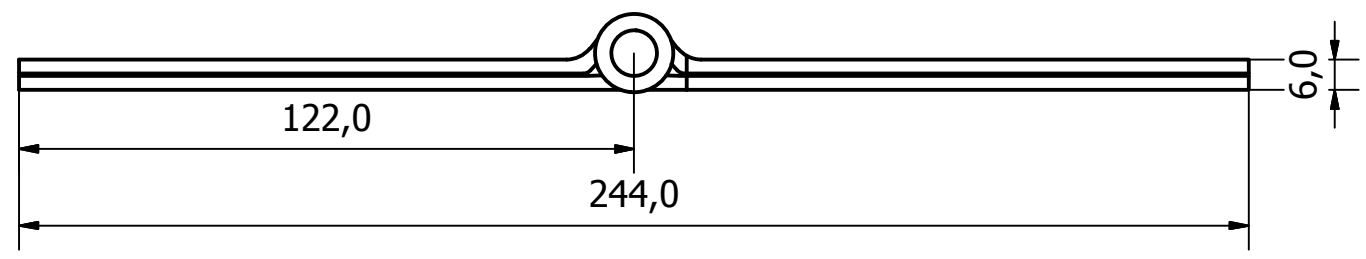
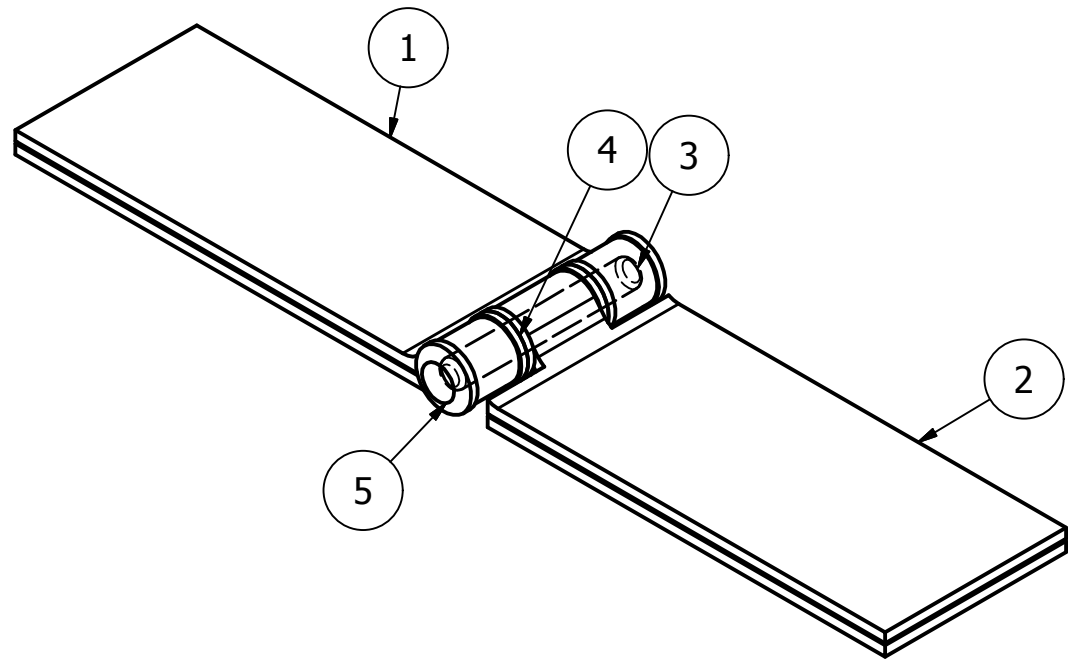
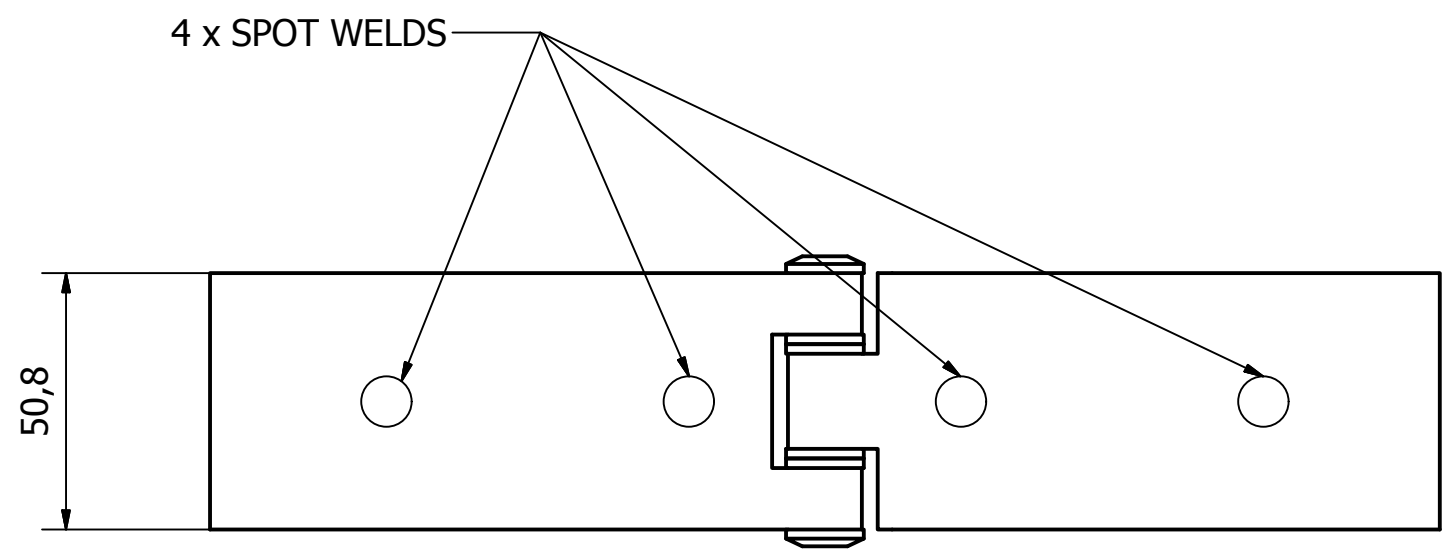


PARTS LIST			
ITEM	QTY	PART NUMBER	DESCRIPTION
1	1	0440-002-1	M/STEEL MAIN HINGE FLAP
2	1	0440-002-2	M/STEEL MOUNTING HINGE FLAP
3	1	0440-002-3	M/STEEL PIN - 50.8 O/A
4	4	0440-002-4	NYLON BUSH
5	2	0440-002-5	NYLON END CAP



NOTE:
NO LUBRICATION REQUIRED DUE TO PRESENCE OF
NYLON BUSH AND ROLLED JOINT

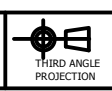
GENERAL TOLERANCES ON LENGTHS
0.5 - 6 ± 0.1mm
6 - 30 ± 0.2mm
30 - 120 ± 0.3mm
120 - 400 ± 0.5mm
400 - 1000 ± 0.8mm
1000 - 1200 ± 1.2mm
2000 - 4000 ± 2.0mm

ALBERT JAGGER LTD
GREEN LANE
WALSALL PHONE: 01922 471000
WEST MIDLANDS FAX: 01922 648021
WS2 8HG

THIS DRAWING & THE DESIGN SHOWN
ARE THE PROPERTY OF ALBERT JAGGER LTD
AND MUST NOT BE USED OR COPIED BY A
THIRD PARTY WITHOUT PERMISSION

DRAWN BY
U.F

CHECKED BY
A.P



SCALE
1:1.5

MATERIAL
-

MASS
0.087 kg

FINISH
NATURAL

Date
02/11/2016

ALL DIMS IN MM
UNLESS STATED
DO NOT SCALE

A3



COACH HINGE - 280 DEG OPENING		Edition 1	Sheet 1 / 1
0440-002			

1	VALIDATION COMPLETE	20/01/2017	A.P
REV	DESCRIPTION	DATE	APPROVED