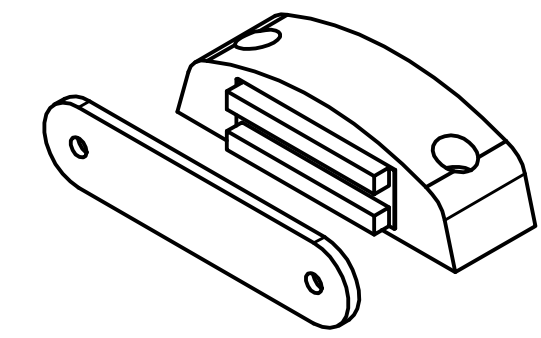
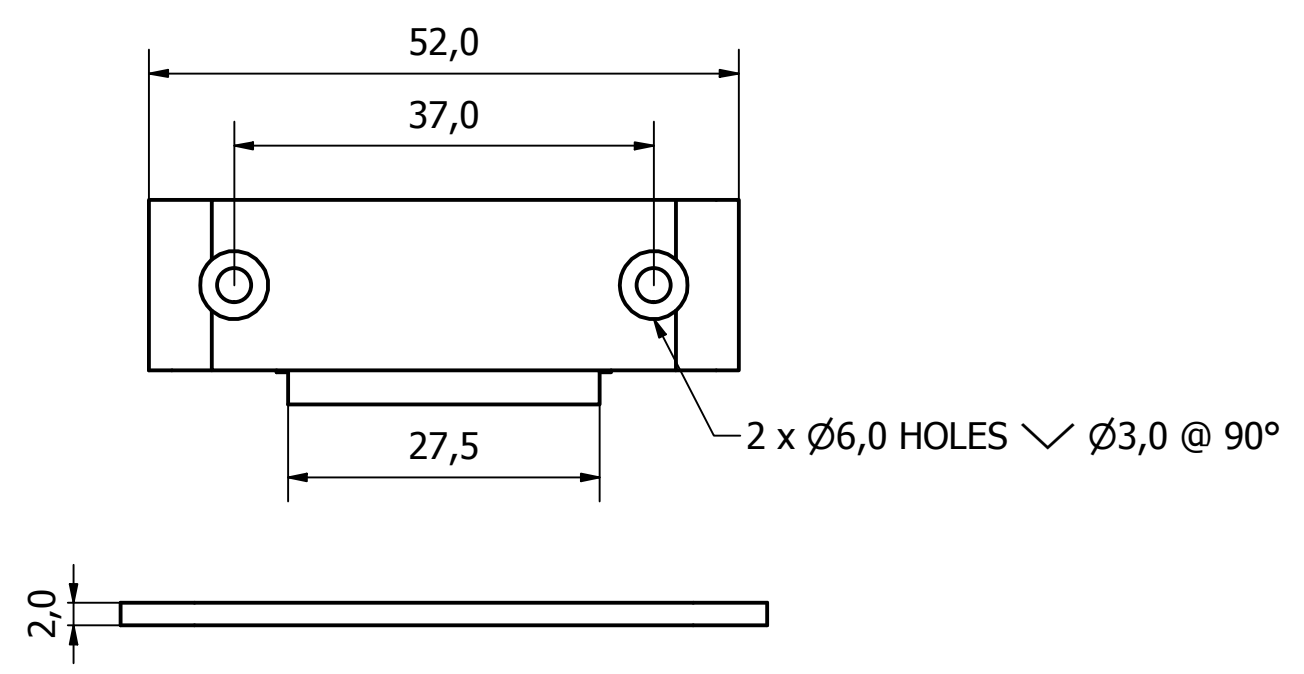


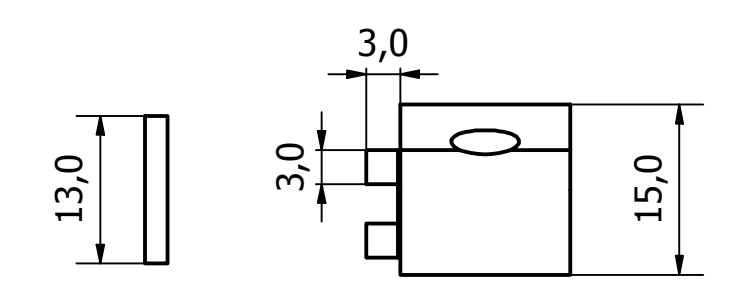
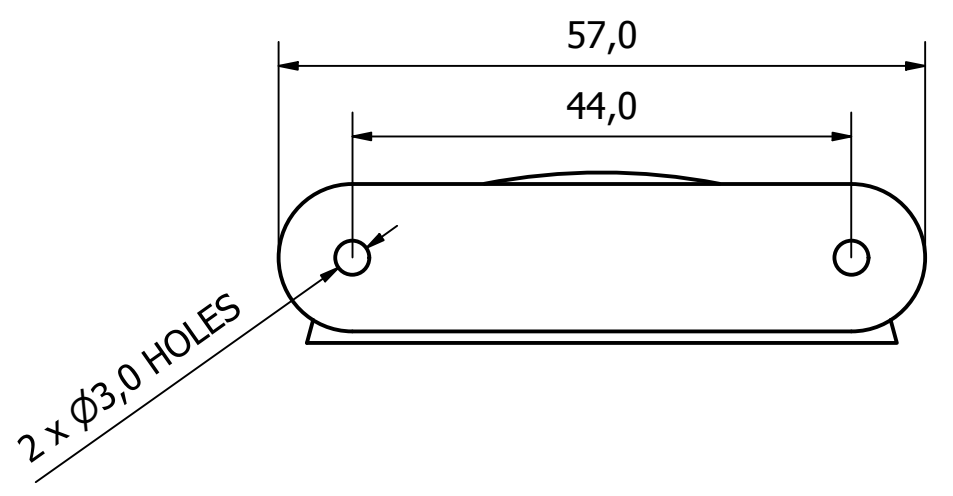
6 5 4 3 2 1

D



C

B



A

NOTE:  
COMPLETE WITH CATCH PLATE

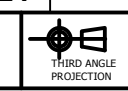
GENERAL TOLERANCES ON LENGTHS	
0.5 - 6 ± 0.1mm	
6 - 30 ± 0.2mm	
30 - 120 ± 0.3mm	
120 - 400 ± 0.5mm	
400 - 1000 ± 0.8mm	
1000 - 2000 ± 1.2mm	
2000 - 4000 ± 2.0mm	

ALBERT JAGGER LTD  
GREEN LANE  
WALSALL PHONE: 01922 471000  
WEST MIDLANDS FAX: 01922 648021  
WS2 8HG

THIS DRAWING & THE DESIGN SHOWN ARE THE PROPERTY OF ALBERT JAGGER LTD AND MUST NOT BE USED OR COPIED BY A THIRD PARTY WITHOUT PERMISSION

DRAWN BY  
A.S

CHECKED BY  
A.P



SCALE  
1.5:1

MATERIAL  
ZINC  
DIE-CAST

MASS  
0.078 kg

FINISH  
NICKEL  
PLATED

Date  
26/11/2018

ALL DIMS IN MM  
UNLESS STATED  
DO NOT SCALE

A3



MAGNETIC CATCH 4KG PULL

0486-1673483

Edition 1	Sheet 1 / 1
--------------	----------------

6 5 4 3 2 1