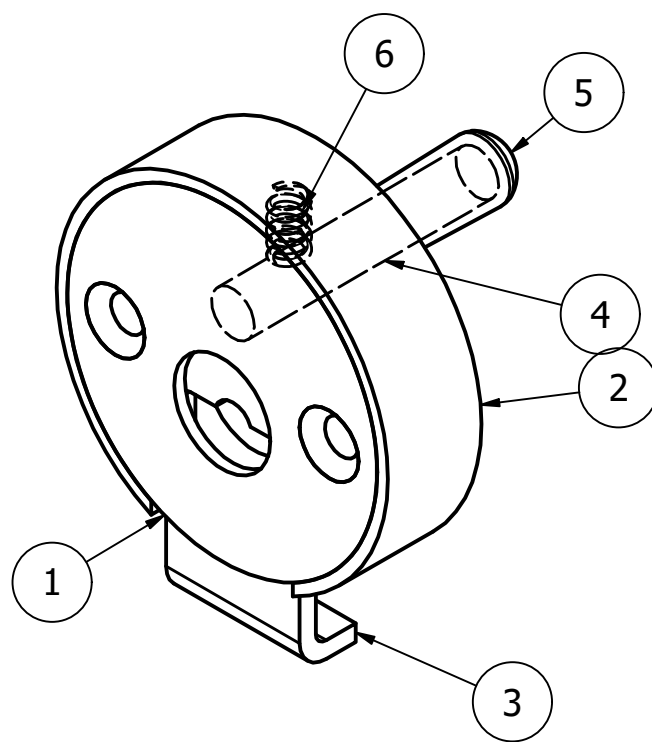


PARTS LIST			
ITEM	QTY	PART NUMBER	DESCRIPTION
1	1	0500-004-1	T304 S/STEEL FACE
2	1	0500-004-2	BLACK NYLON WASHER
3	1	0500-004-3	T304 S/STEEL TONGUE
4	1	0500-004-4	T304 S/STEEL PIN
5	1	0500-004-5	RED POLYPROPHENE PIN COVER
6	1	0500-004-6	T304 S/STEEL SPRING



1	VALIDATION COMPLETE	08/02/19	A.P
REV	DESCRIPTION	DATE	APPROVED
1	DOOR RETAINER 0550 SERIES - FEMALE	30/01/2019	A3
0500-004		Edition 1	Sheet 1 / 1

GENERAL TOLERANCES ON LENGTHS	
0.5 - 6 ± 0.1mm	
6 - 30 ± 0.2mm	
30 - 120 ± 0.3mm	
120 - 400 ± 0.5mm	
400 - 1000 ± 0.8mm	
1000 - 2000 ± 1.2mm	
2000 - 4000 ± 2.0mm	

ALBERT JAGGER LTD
 GREEN LANE
 WALSALL PHONE: 01922 471000
 WEST MIDLANDS FAX: 01922 648021
 WS2 8HG

THIS DRAWING & THE DESIGN SHOWN ARE THE PROPERTY OF ALBERT JAGGER LTD AND MUST NOT BE USED OR COPIED BY A THIRD PARTY WITHOUT PERMISSION

DRAWN BY A.S
 CHECKED BY A.P

SCALE 1 : 1
 MATERIAL SEE TABLE
 MASS 0.115 kg
 FINISH SEE TABLE

Date 30/01/2019
 ALL DIMS IN MM UNLESS STATED DO NOT SCALE

