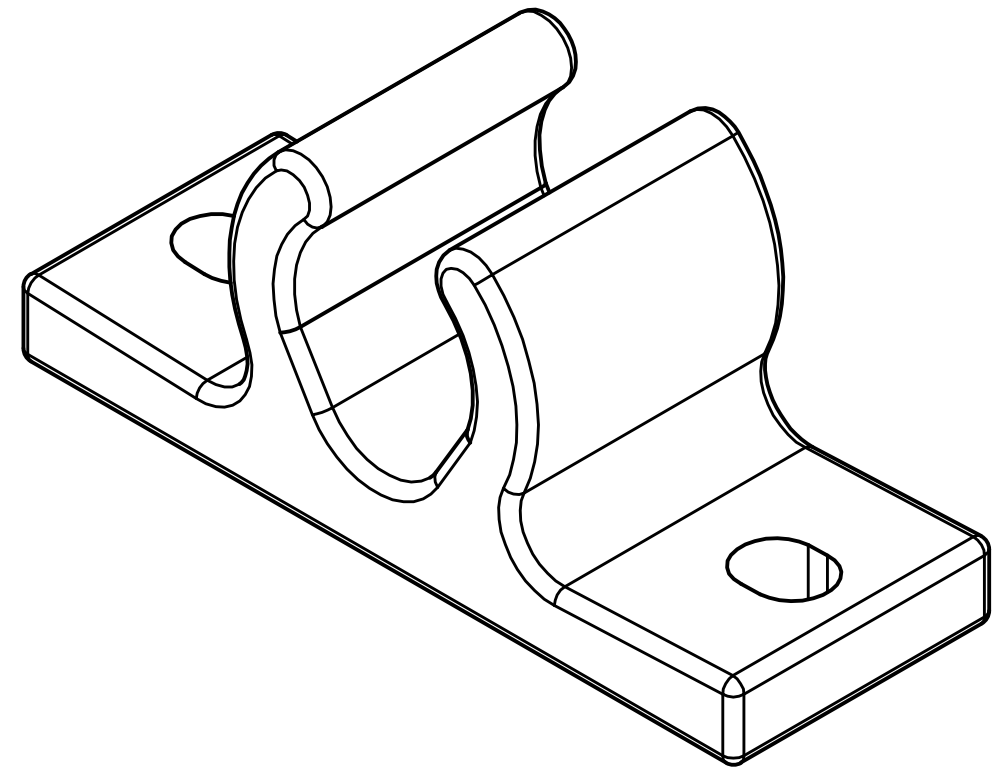
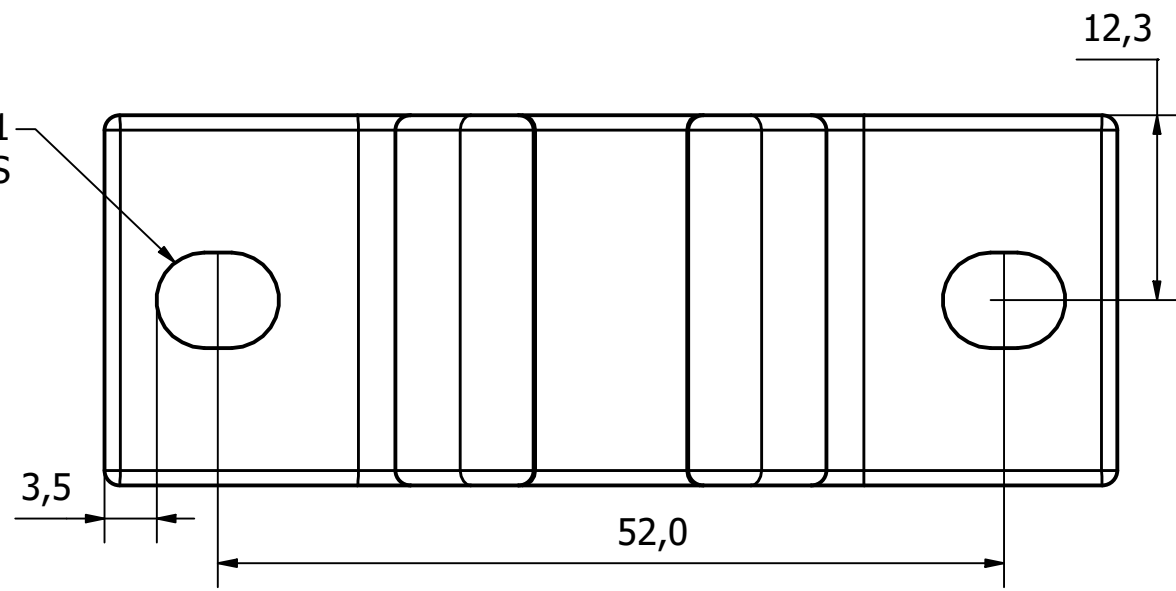


6 1 5 1 4 3 1 2 1 1

D

D

2 x 6,3 x 8,1 SLOTS

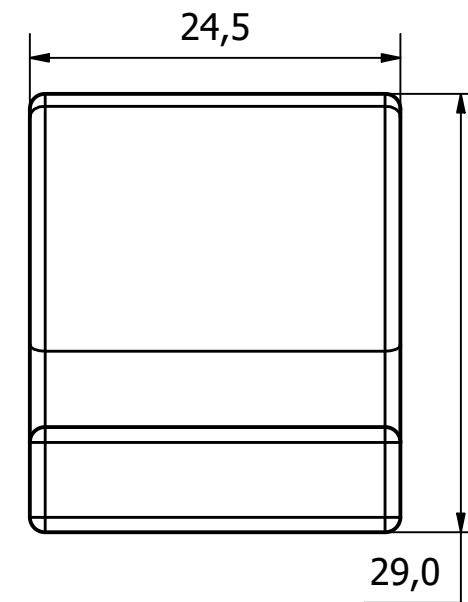
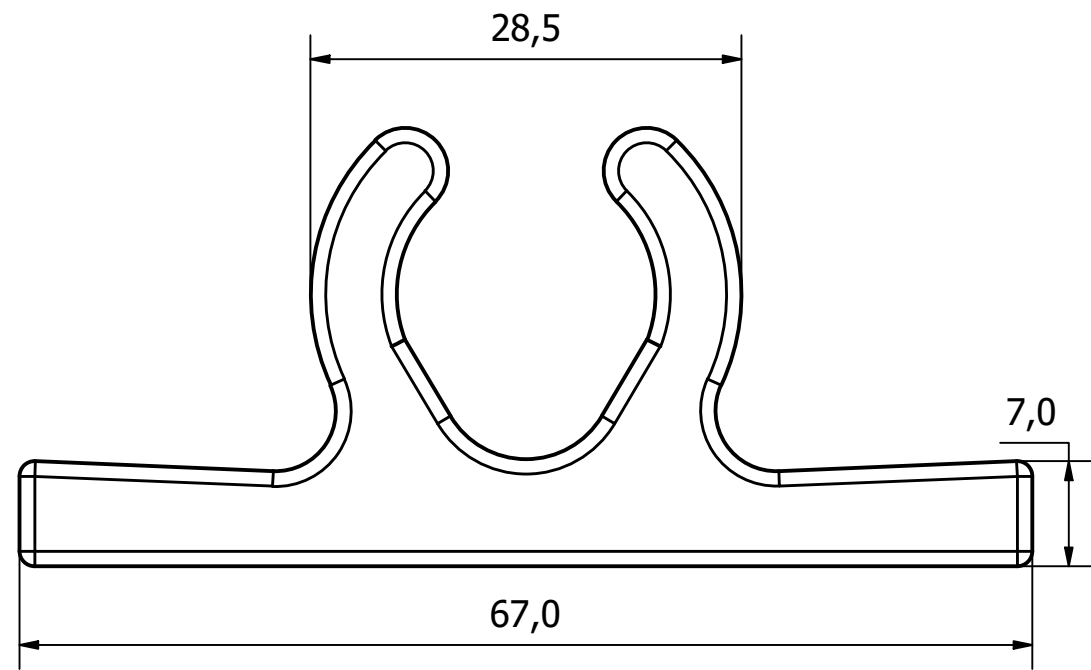


C

C

B

B



B

B

A

A

3	DIMENSIONS CHANGED	21/08/19	A.P
2	ADDED DIMENSIONS	16/08/19	A.P
1	VALIDATION COMPLETE	09/06/17	A.P
REV	DESCRIPTION	DATE	APPROVED

GENERAL TOLERANCES ON LENGTHS	
0.5 - 6 ± 0.1mm	
6 - 30 ± 0.2mm	
30 - 120 ± 0.3mm	
120 - 400 ± 0.5mm	
400 - 1000 ± 0.8mm	
1000 - 2000 ± 1.2mm	
2000 - 4000 ± 2.0mm	

ALBERT JAGGER LTD  
 GREEN LANE  
 WALSALL PHONE: 01922 471000  
 WEST MIDLANDS FAX: 01922 648021  
 WS2 8HG

THIS DRAWING & THE DESIGN SHOWN ARE THE PROPERTY OF ALBERT JAGGER LTD AND MUST NOT BE USED OR COPIED BY A THIRD PARTY WITHOUT PERMISSION

DRAWN BY  
A.S

CHECKED BY  
A.P



SCALE  
2:1

MATERIAL  
ACETAL RESIN, BLACK

MASS  
0.023 kg

FINISH  
SMOOTH-BLACK

Date  
16/08/2019

ALL DIMS IN MM UNLESS STATED DO NOT SCALE

A3



FEMALE NYLON DOOR RETAINER

0555-004

Edition 3	Sheet 1 / 1
--------------	----------------

6 1 5 1 4 3 1 2 1 1