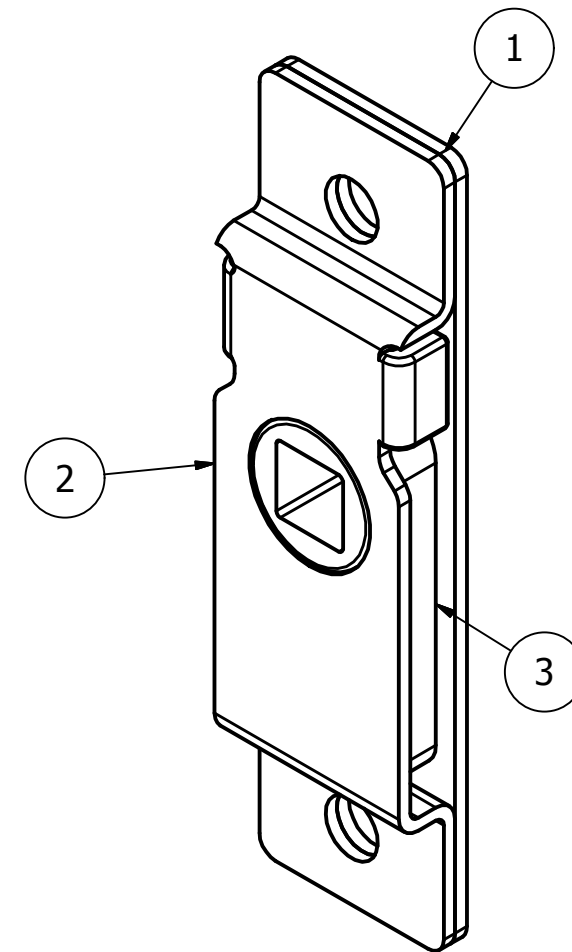
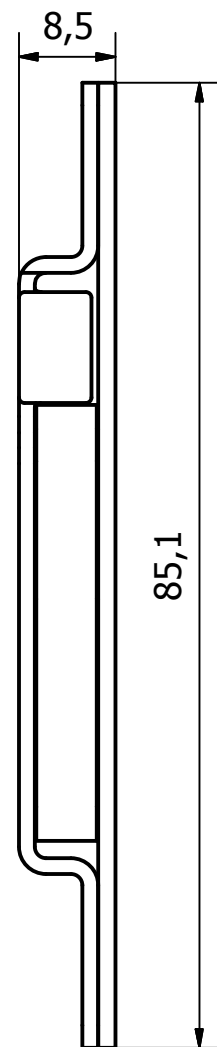
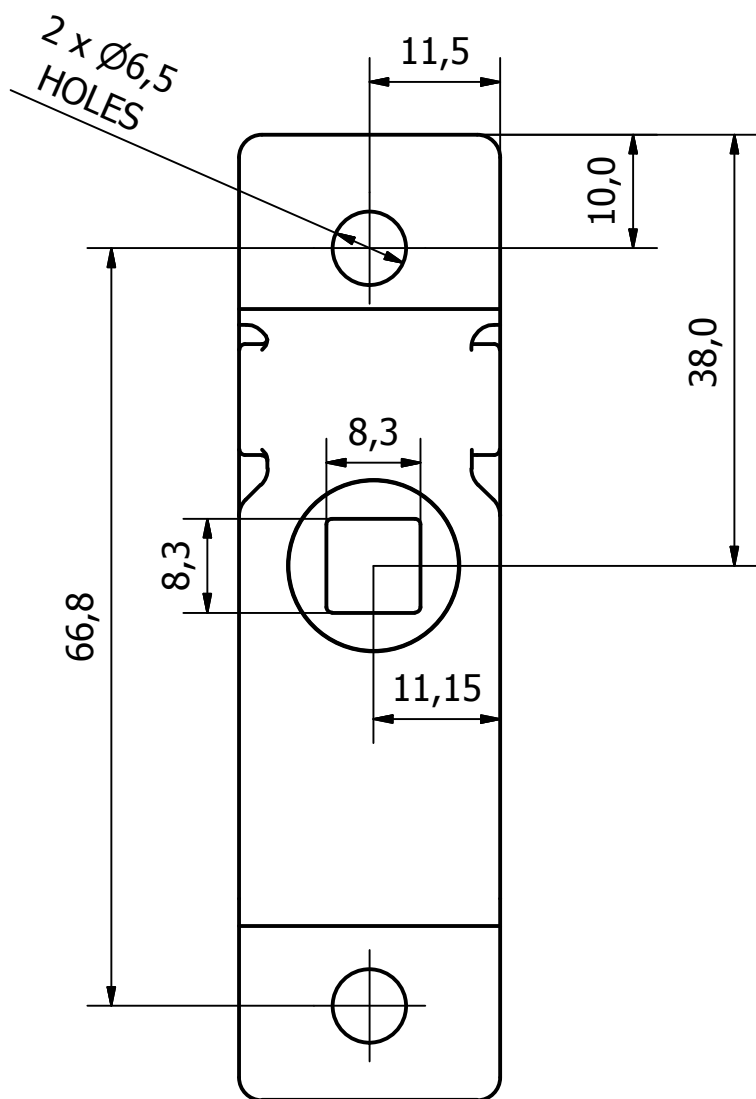
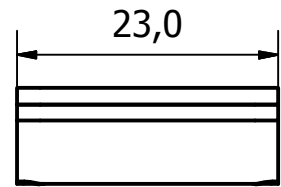


PARTS LIST			
ITEM	QTY	PART NUMBER	DESCRIPTION
1	1	0748-001-1	M/STEEL LOCK BASE PLATE
2	1	0748-001-2	M/STEEL LOCK TOP PLATE
3	1	0748-001-3	M/STEEL TONGUE



1	VALIDATION COMPLETE	27/07/17	A.P
REV	DESCRIPTION	DATE	APPROVED

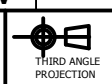
GENERAL TOLERANCES ON LENGTHS
0.5 - 6 ± 0.1mm
6 - 30 ± 0.2mm
30 - 120 ± 0.3mm
120 - 400 ± 0.5mm
400 - 1000 ± 0.8mm
1000 - 2000 ± 1.2mm
2000 - 4000 ± 2.0mm

ALBERT JAGGER LTD
 GREEN LANE
 WALSALL PHONE: 01922 471000
 WEST MIDLANDS FAX: 01922 648021
 WS2 8HG

THIS DRAWING & THE DESIGN SHOWN ARE THE PROPERTY OF ALBERT JAGGER LTD AND MUST NOT BE USED OR COPIED BY A THIRD PARTY WITHOUT PERMISSION

DRAWN BY
U.F

CHECKED BY
A.P



SCALE
1.5:1

MATERIAL
-

MASS
0.070 kg

FINISH
Z/C
PASSIVATE

Date
04/05/2017

ALL DIMS IN MM
UNLESS STATED
DO NOT SCALE

A3



M/STEEL BUDGET LOCK	
0748-001	Edition 1 / Sheet 1 / 1