

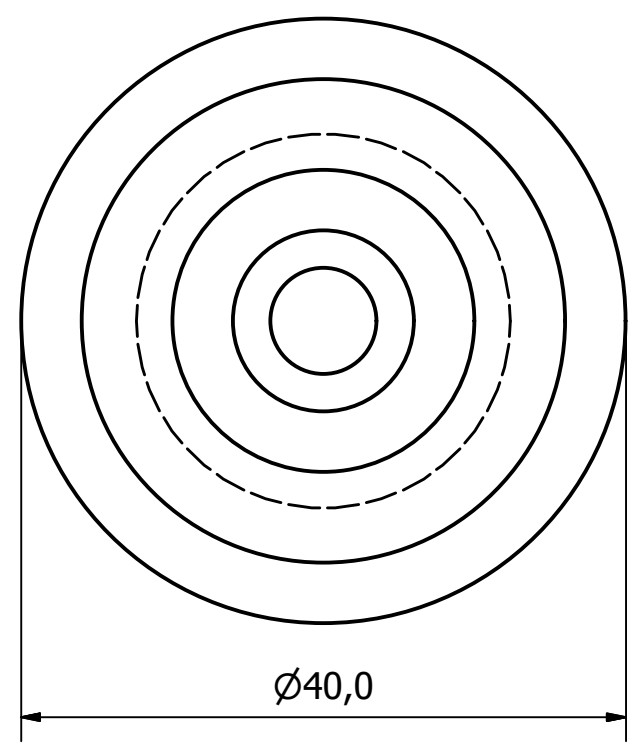
6 1 5 1 4 3 1 2 1 1

D D

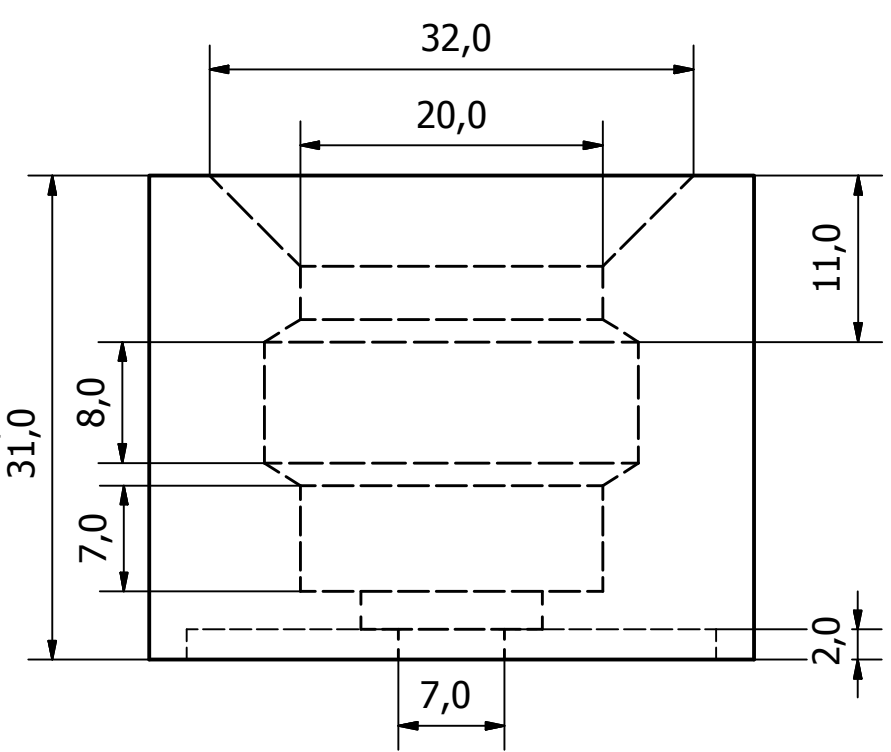
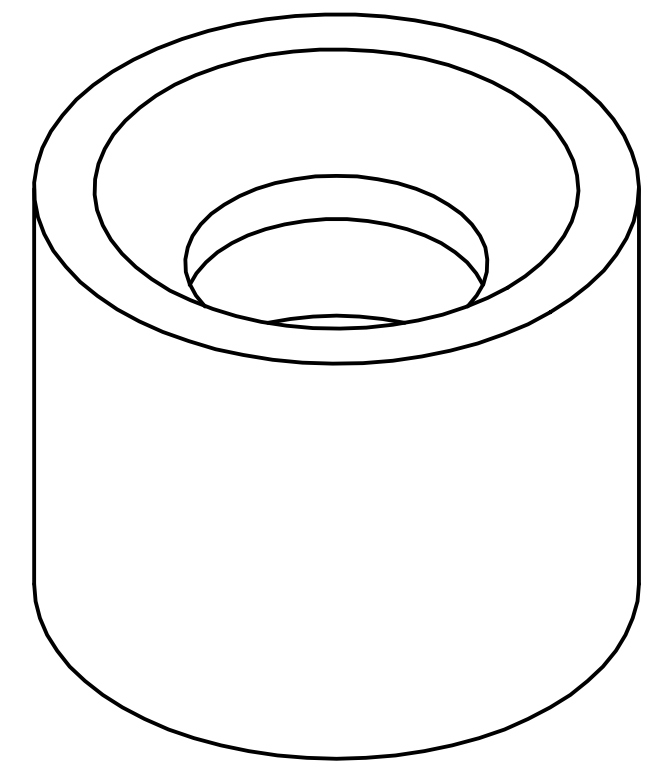
C C

B B

A A



Ø40,0



3

MATERIAL:

MOULDED SOFT BLACK RUBBER (S.B.A)  
STEEL WASHER

FINISH:

WASHER - SHERADISED  
RUBBER - FREE OF SURFACE CONTAMINANTS AND FLASH

NOTE:  
MINIMUM LOAD - 29N  
TYPICAL LOAD - 90N  
50-55° SHORE HARDNESS  
FOR USE WITH 0666/002 MALE MATING HALF

REV	DESCRIPTION	DATE	APPROVED
3	DIMENSIONS AND PROFILE MODIFIED	29/05/18	U.F
2	WASHER SHOWN, NOTE MODIFIED	08/09/17	U.F
1	VALIDATION COMPLETE	26/07/17	A.P

GENERAL TOLERANCES ON LENGTHS	
0.5 - 6 ± 0.1mm	
6 - 30 ± 0.2mm	
30 - 120 ± 0.3mm	
120 - 400 ± 0.5mm	
400 - 1000 ± 0.8mm	
1000 - 2000 ± 1.2mm	
2000 - 4000 ± 2.0mm	

ALBERT JAGGER LTD  
GREEN LANE  
WALSALL PHONE: 01922 471000  
WEST MIDLANDS FAX: 01922 648021  
WS2 8HG  
  
THIS DRAWING & THE DESIGN SHOWN  
ARE THE PROPERTY OF ALBERT JAGGER LTD  
AND MUST NOT BE USED OR COPIED BY A  
THIRD PARTY WITHOUT PERMISSION

DRAWN BY U.F	CHECKED BY A.P	THIRD ANGLE PROJECTION	SCALE 2 : 1	MATERIAL SEE NOTE	MASS 0.026 kg	FINISH SEE NOTE	Date 20/06/2017	ALL DIMS IN MM UNLESS STATED DO NOT SCALE	A3
				FEMALE DOOR RETAINER					
				0774-001	Edition 3	Sheet 1 / 1			

6 1 5 1 4 3 1 2 1 1