

6 1 5 1 4 3 1 2 1 1

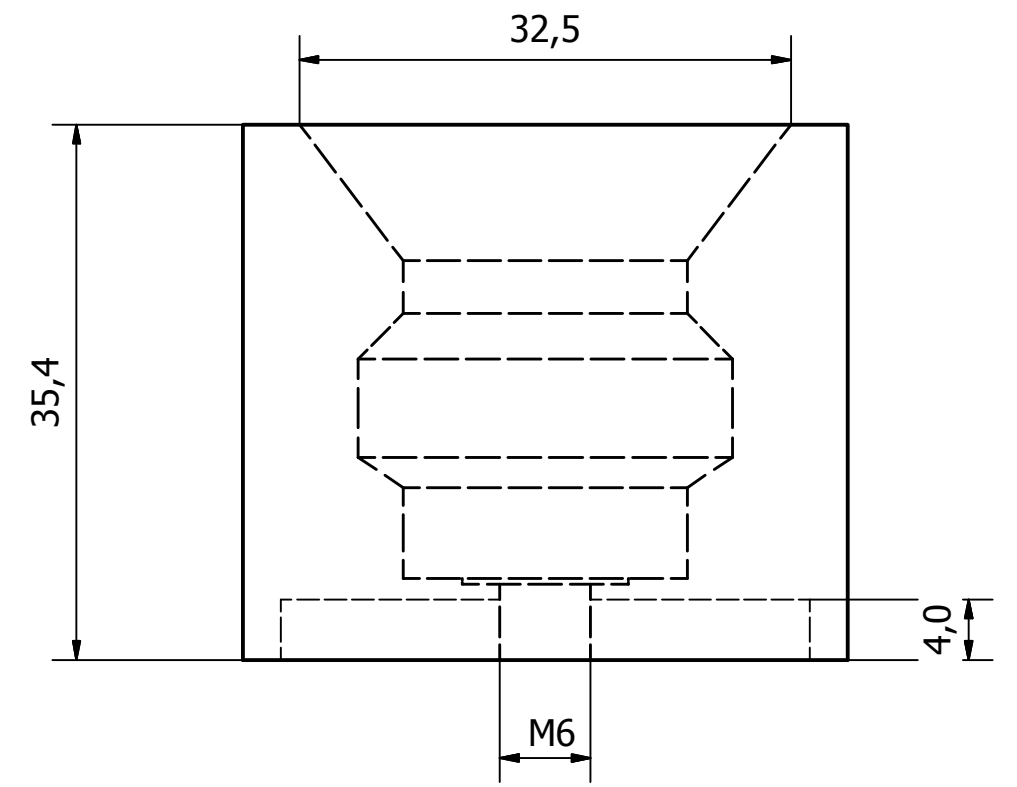
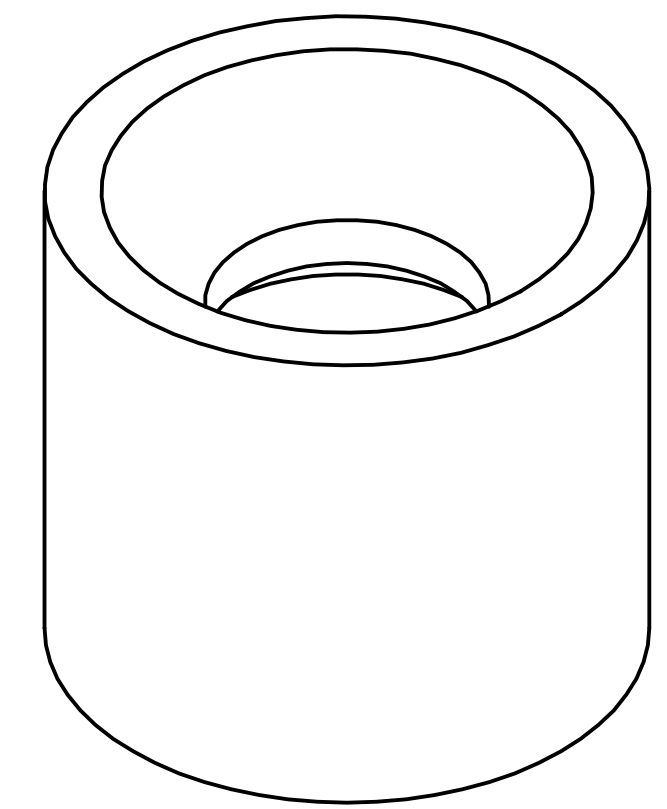
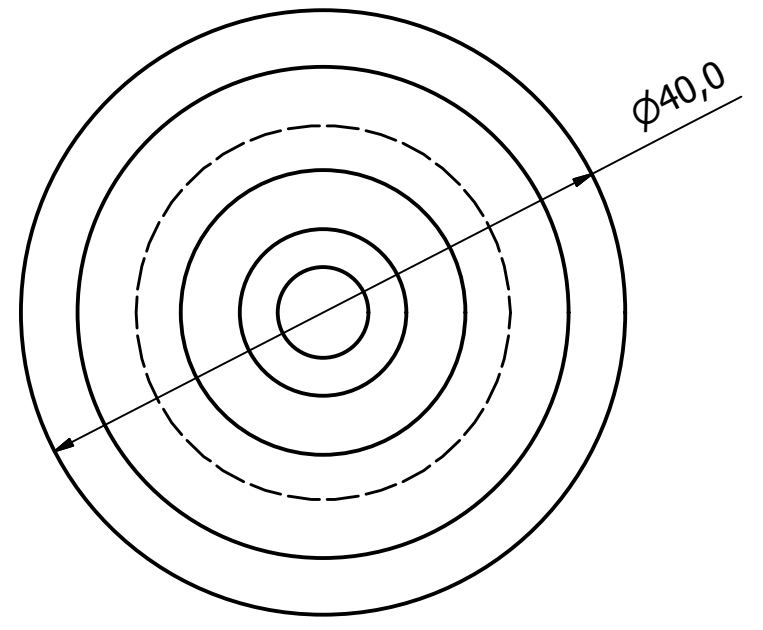
D D

C C

B B

A A

6 1 5 1 4 3 1 2 1 1



MATERIAL:
 MOULDED SOFT BLACK RUBBER (S.B.A)
 STEEL WASHER

FINISH:
 WASHER - SHERADISED
 RUBBER - FREE OF SURFACE CONTAMINANTS AND FLASH

NOTE:
 MINIMUM LOAD - 3Kg
 TYPICAL LOAD - 10 Kg

50-55° SHORE HARDNESS $\triangle 6$

FOR USE WITH 0666/002 MALE MATING HALF

REV	DESCRIPTION	DATE	APPROVED
6	NOTE MODIFIED	26/09/2017	U.F
5	RE-DRAWN IN CAD	25/11/16	U.F

DRAWN BY	CHECKED BY	SCALE	MATERIAL	MASS	FINISH	Date	ALL DIMS IN MM UNLESS STATED DO NOT SCALE	A3
U.F	A.P	2:1	SEE NOTE	0.030 kg	SEE NOTE	25/11/2016		

		FEMALE - RUBBER DOOR HOLDER	
0775-001		Edition	Sheet
		6	1 / 1

GENERAL TOLERANCES ON LENGTHS

0.5 - 6 ± 0.1mm
 6 - 30 ± 0.2mm
 30 - 120 ± 0.3mm
 120 - 400 ± 0.5mm
 400 - 1000 ± 0.8mm
 1000 - 1200 ± 1.2mm
 2000 - 4000 ± 2.0mm

ALBERT JAGGER LTD
 GREEN LANE
 WALSALL PHONE: 01922 471000
 WEST MIDLANDS FAX: 01922 648021
 WS2 8HG

THIS DRAWING & THE DESIGN SHOWN ARE THE PROPERTY OF ALBERT JAGGER LTD AND MUST NOT BE USED OR COPIED BY A THIRD PARTY WITHOUT PERMISSION

