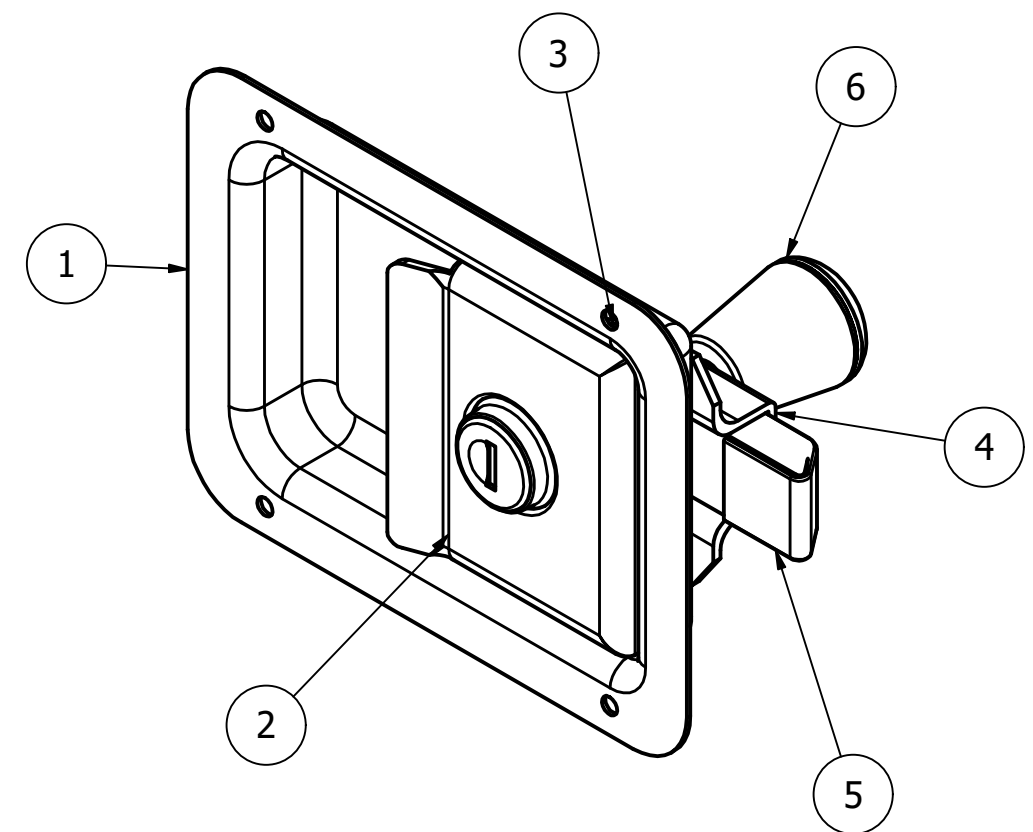
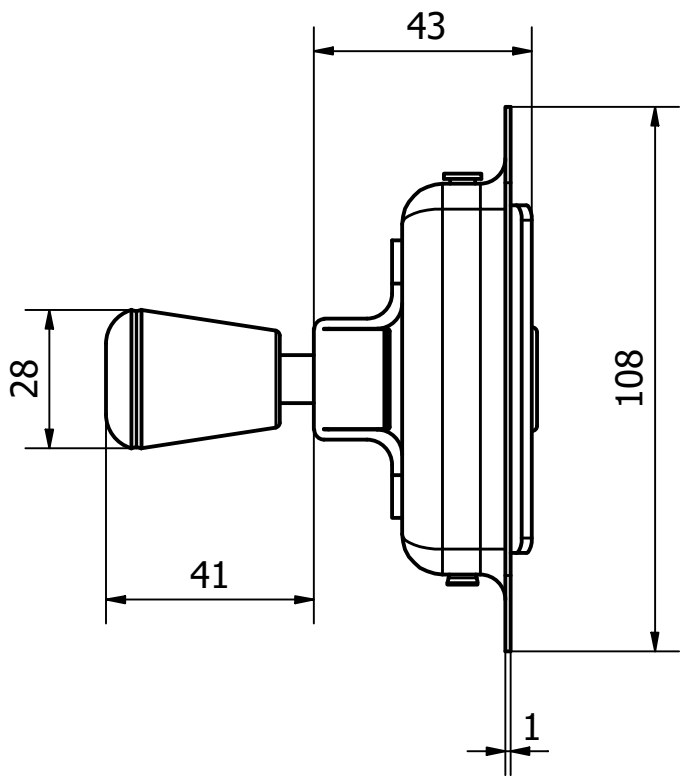
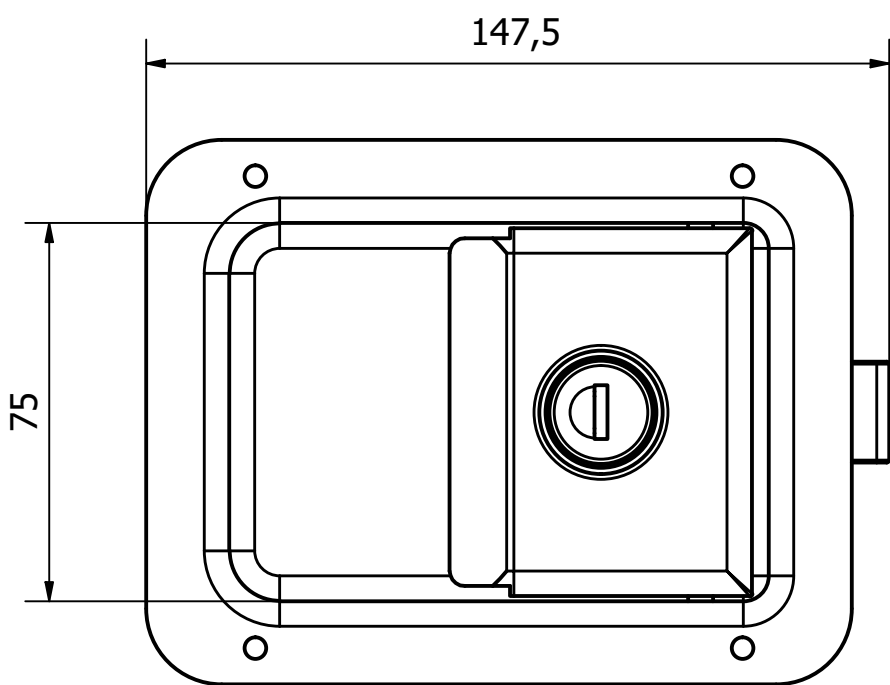
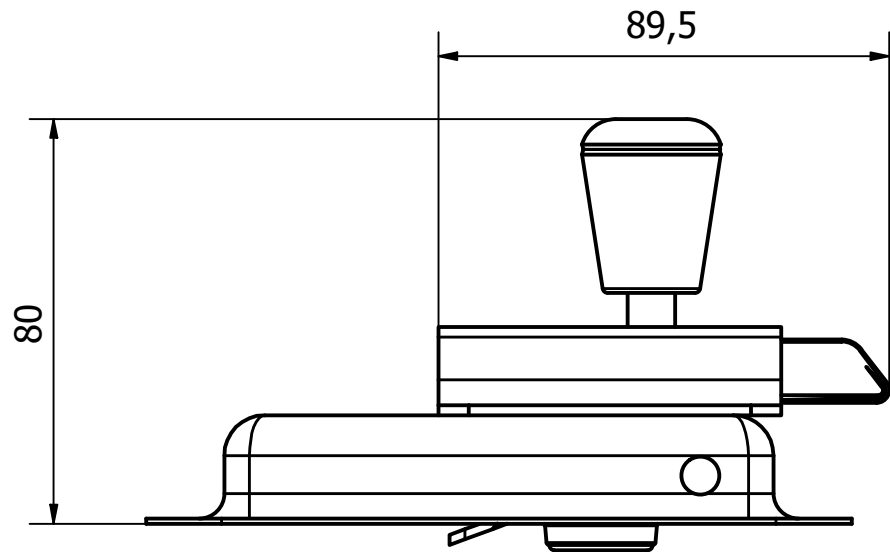


PARTS LIST

ITEM	QTY	PART NUMBER	DESCRIPTION
1	1	0910-415-1	S/STEEL- PRESSED PAN
2	1	0910-415-2	S/STEEL-PRESSED PADDLE HANDLE WITH LOCK
3	1	0910-415-4	S/STEEL- RIVIT AND PIN
4	1	0910-415-3	S/STEEL- PRESSED TONGUE HOLDER
5	1	0910-415-5	S/STEEL TONGUE
6	1	0910-415-6	PLASTIC HANDLE - GLOSS BLACK



NOTE:
LOCKING (KEYED ALIKE)- INTERNAL RELEASE

GENERAL TOLERANCES ON LENGTHS

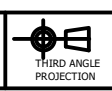
0.5 - 6 ± 0.1mm
6 - 30 ± 0.2mm
30 - 120 ± 0.3mm
120 - 400 ± 0.5mm
400 - 1000 ± 0.8mm
1000 - 2000 ± 1.2mm
2000 - 4000 ± 2.0mm

ALBERT JAGGER LTD
GREEN LANE
WALSALL PHONE: 01922 471000
WEST MIDLANDS FAX: 01922 648021
WS2 8HG

THIS DRAWING & THE DESIGN SHOWN ARE THE PROPERTY OF ALBERT JAGGER LTD AND MUST NOT BE USED OR COPIED BY A THIRD PARTY WITHOUT PERMISSION

DRAWN BY
S.R

CHECKED BY
C.H



SCALE
1:2

MATERIAL
304 S/STEEL

MASS
0.463 kg

FINISH
SEE TABLE

Date
04/10/2021

ALL DIMS IN MM UNLESS STATED DO NOT SCALE

A3



PADDLE LOCK - DEEP MIDI 0910 SERIES

0910-415

Edition
1

Sheet
1 / 1