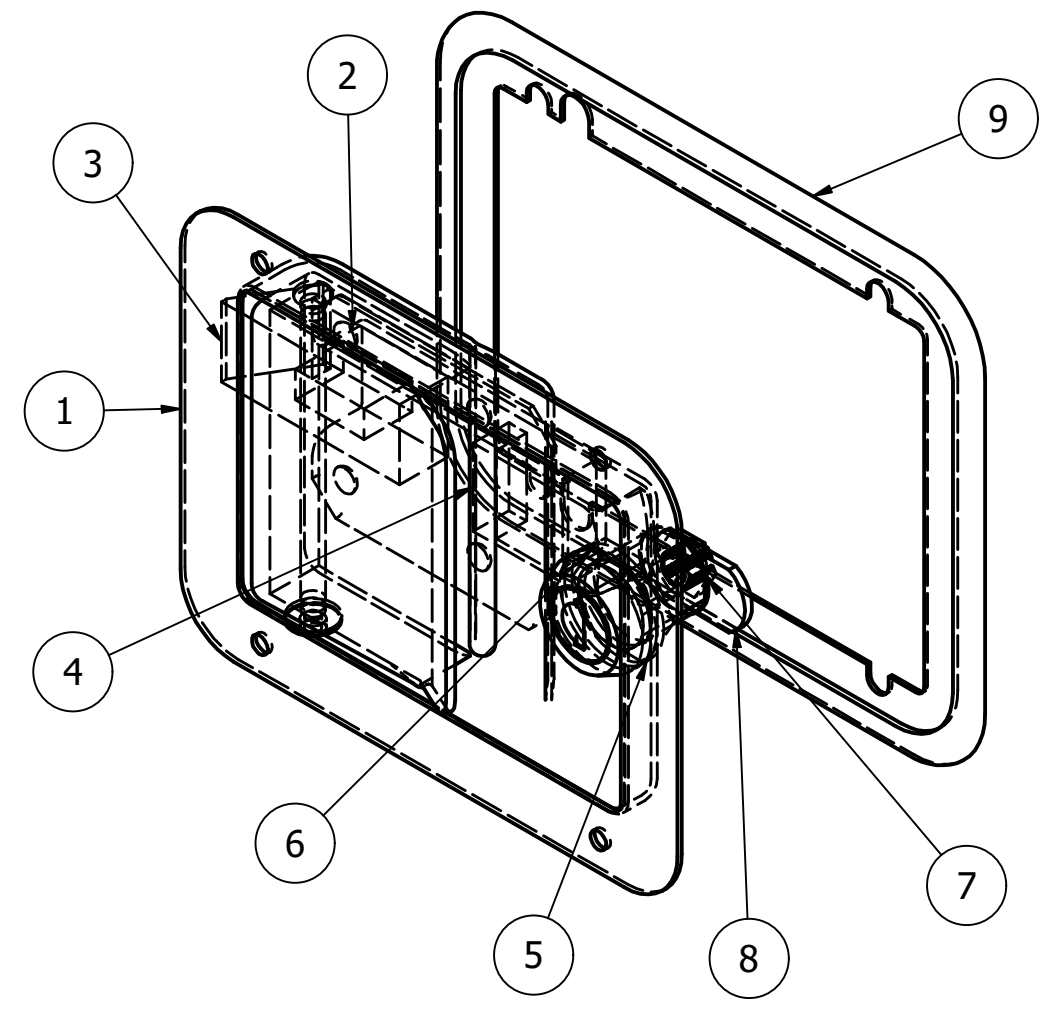


PARTS LIST			
ITEM	QTY	PART NUMBER	DESCRIPTION
1	1	0912-419-1	M/STEEL PADDLE LOCK BODY ASSEMBLY
2	1	0912-419-2	M/STEEL TONGUE COVER PLATE
3	1	0912-419-3	SOLID STEEL TONGUE - NATURAL
4	1	0912-419-4	M/STEEL TONGUE STRIKER
5	1	0912-419-6	M/STEEL WASHER 25.8 DIA
6	1	0912-419-7	M/STEEL HEX NUT
7	1	0912-419-8	M/STEEL WAVY WASHER
8	1	0912-419-5	S/STEEL STRIKER PLATE - NATURAL
9	1	0912-419-9	BLACK PLASTIC GASKET



1	VALIDATION COMPLETE	06/10/21	C.H
REV	DESCRIPTION	DATE	APPROVED

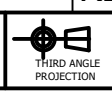
GENERAL TOLERANCES ON LENGTHS
0.5 - 6 ± 0.1mm
6 - 30 ± 0.2mm
30 - 120 ± 0.3mm
120 - 400 ± 0.5mm
400 - 1000 ± 0.8mm
1000 - 2000 ± 1.2mm
2000 - 4000 ± 2.0mm

ALBERT JAGGER LTD
 GREEN LANE
 WALSALL PHONE: 01922 471000
 WEST MIDLANDS FAX: 01922 648021
 WS2 8HG

THIS DRAWING & THE DESIGN SHOWN ARE THE PROPERTY OF ALBERT JAGGER LTD AND MUST NOT BE USED OR COPIED BY A THIRD PARTY WITHOUT PERMISSION

DRAWN BY
S.R

CHECKED BY
C.H



SCALE
1:2

MATERIAL
SEE TABLE

MASS
0.589 kg

FINISH
SEE TABLE

Date
05/10/2021

ALL DIMS IN MM UNLESS STATED DO NOT SCALE

A3



PADDLE LOCK - SHALLOW MIDI 0912 SERIES

0912-419

Edition	Sheet
1	1 / 1