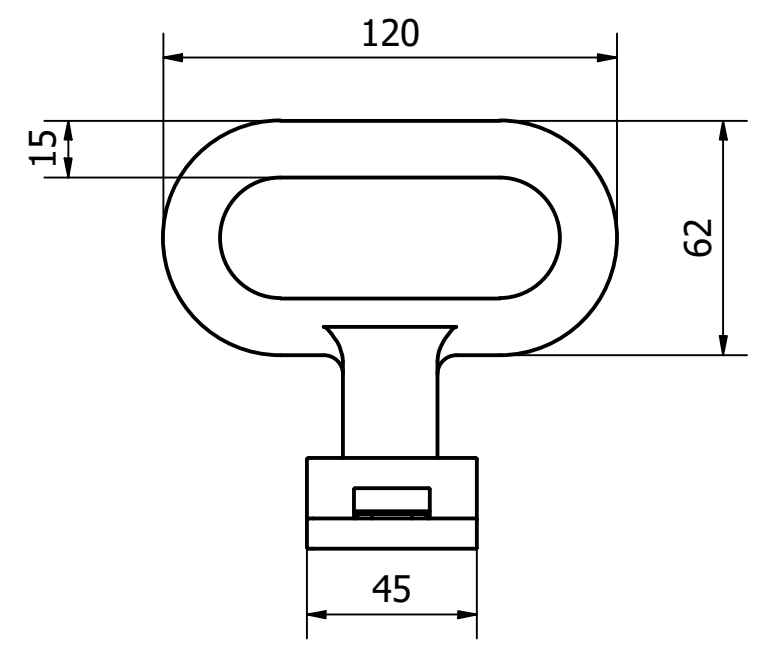
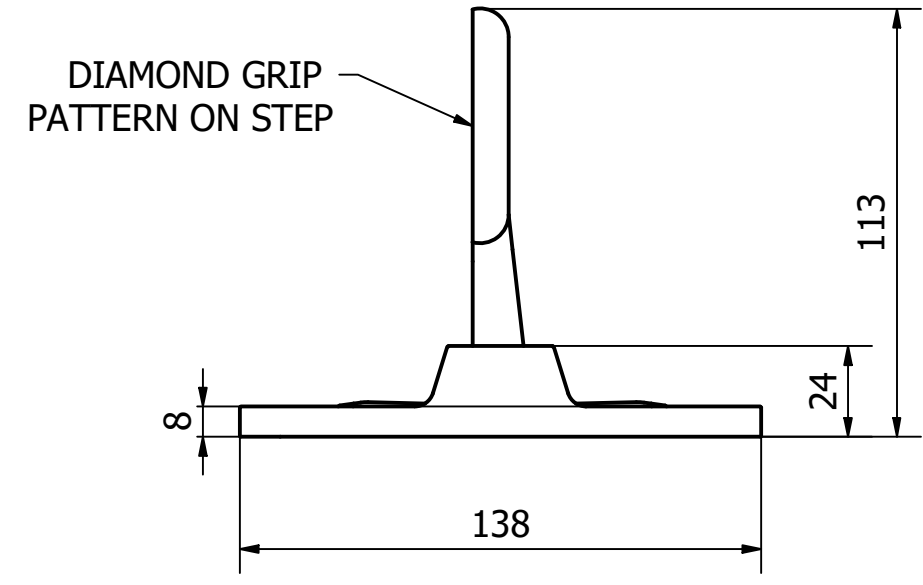
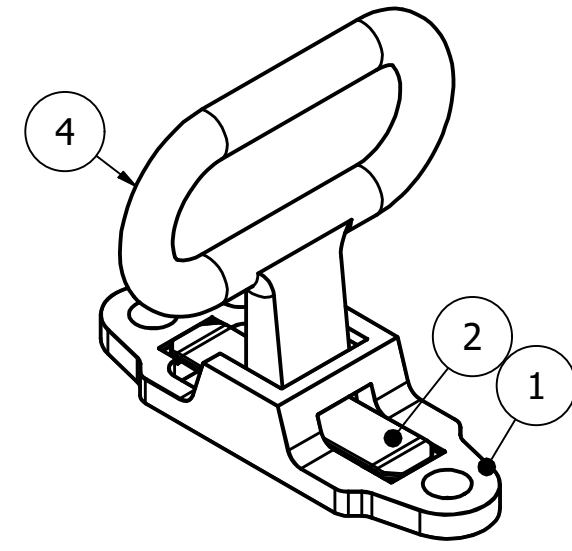
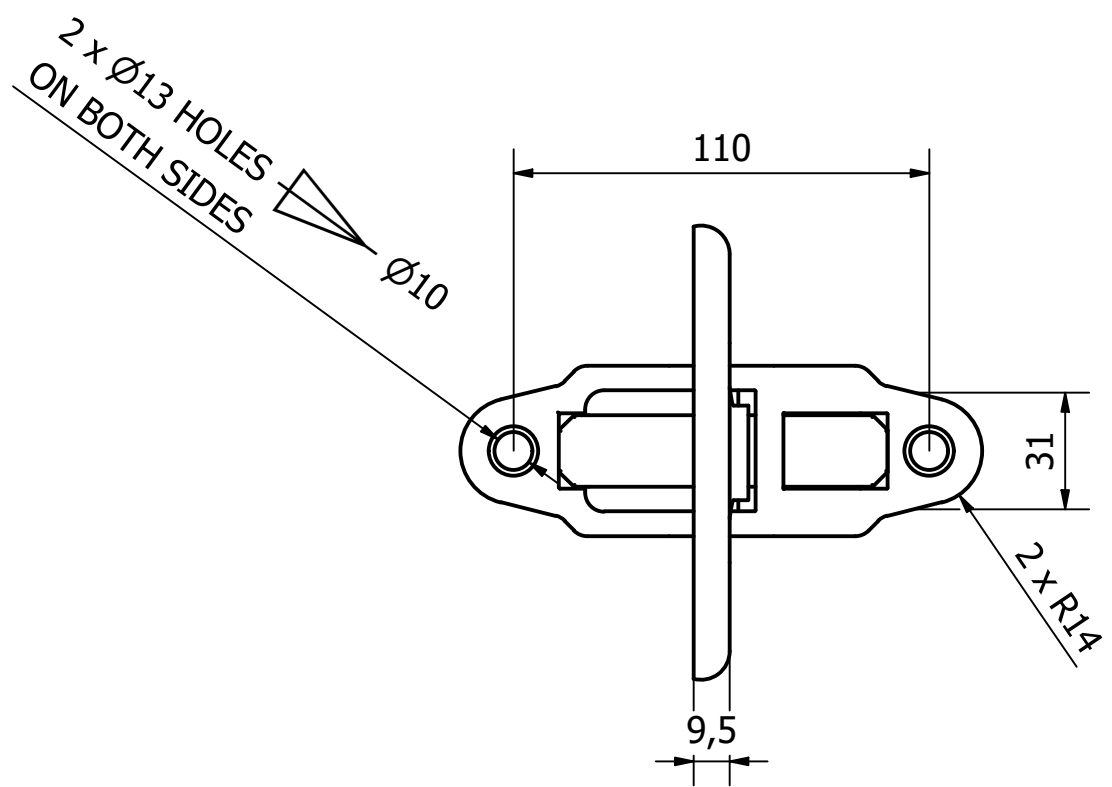


PARTS LIST			
ITEM	QTY	PART NUMBER	DESCRIPTION
1	1	0979-007-1	S/S STEP BODY - CHROME POLISHED
2	1	0979-007-3	S/S SPRING PLATE - CHROME POLISHED
3	1	0979-007-4	S/S RETAINING PIN - CHROME POLISHED
4	1	0979-007-2	S/S STEP HANDLE - CHROME POLISHED



1	VALIDATION COMPLETE	05/03/2020	A.P
REV	DESCRIPTION	DATE	APPROVED

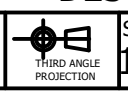
GENERAL TOLERANCES ON LENGTHS
0.5 - 6 ± 0.1mm
6 - 30 ± 0.2mm
30 - 120 ± 0.3mm
120 - 400 ± 0.5mm
400 - 1000 ± 0.8mm
1000 - 2000 ± 1.2mm
2000 - 4000 ± 2.0mm

ALBERT JAGGER LTD
 GREEN LANE
 WALSALL PHONE: 01922 471000
 WEST MIDLANDS FAX: 01922 648021
 WS2 8HG

THIS DRAWING & THE DESIGN SHOWN ARE THE PROPERTY OF ALBERT JAGGER LTD AND MUST NOT BE USED OR COPIED BY A THIRD PARTY WITHOUT PERMISSION

DRAWN BY
K.M

CHECKED BY
A.P



SCALE
1 : 2

MATERIAL
SEE TABLE

MASS
N/A

FINISH
SEE TABLE

Date
26/02/2020

ALL DIMS IN MM UNLESS STATED DO NOT SCALE

A3



S/S FOLDING STEP	
0979-007	Edition 1 / Sheet 1 / 1