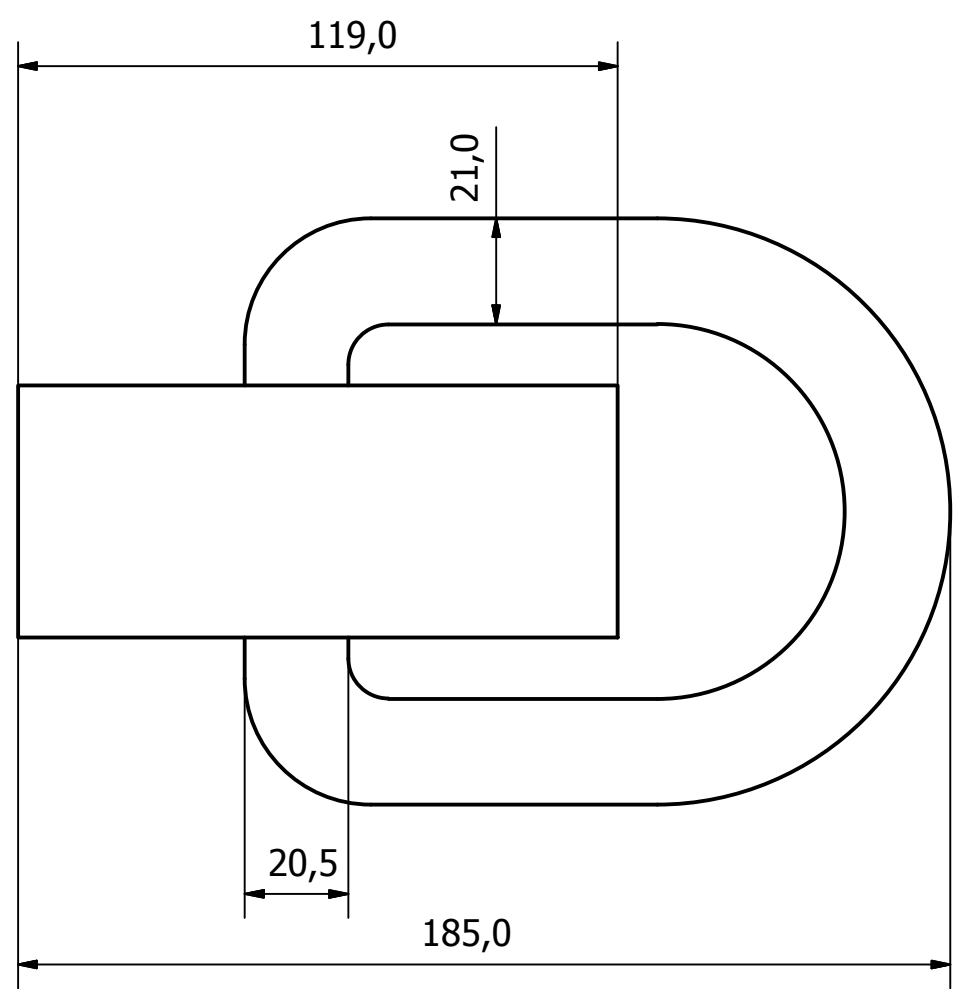
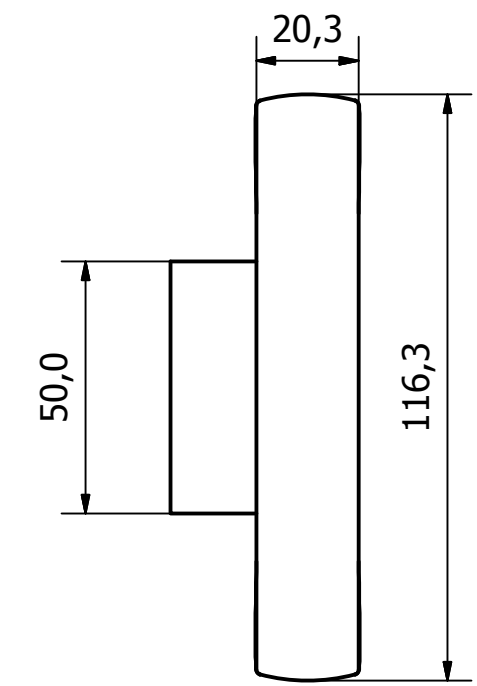
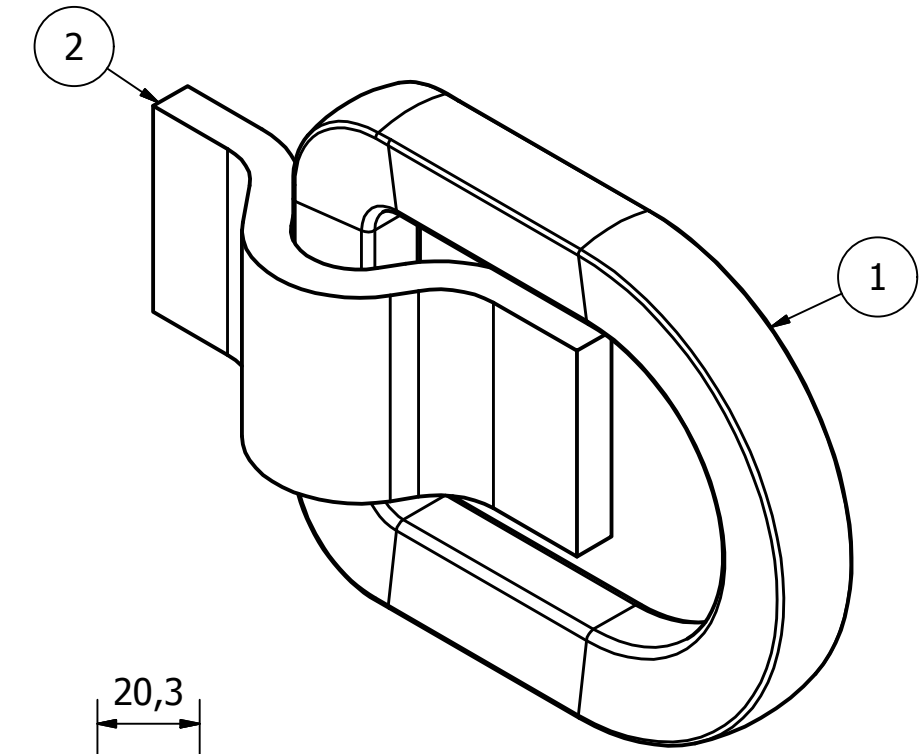
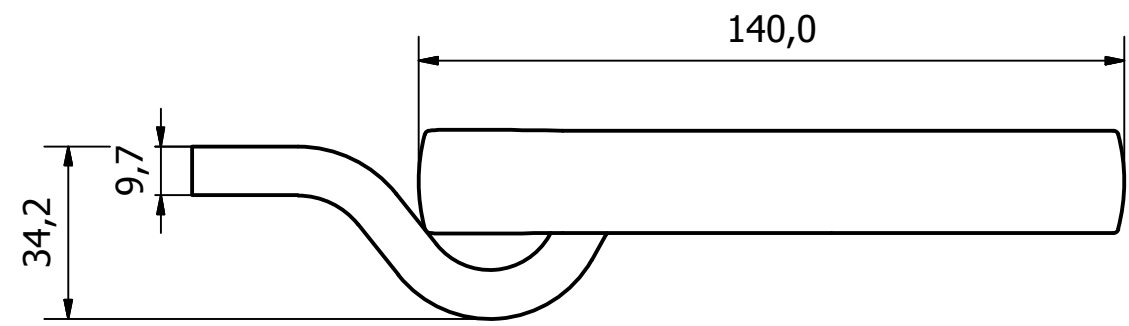


PARTS LIST

ITEM	QTY	PART NUMBER	DESCRIPTION
1	1	1060-001-1	GALVANISED FORGED STEEL D-RING
2	1	1060-001-2	MILD STEEL CLEAT - NATURAL



NOTE:
5 TONNE S.W.L

GENERAL TOLERANCES ON LENGTHS	
0.5 - 6 ± 0.1mm	
6 - 30 ± 0.2mm	
30 - 120 ± 0.3mm	
120 - 400 ± 0.5mm	
400 - 1000 ± 0.8mm	
1000 - 2000 ± 1.2mm	
2000 - 4000 ± 2.0mm	

ALBERT JAGGER LTD
GREEN LANE
WALSALL PHONE: 01922 471000
WEST MIDLANDS FAX: 01922 648021
WS2 8HG

THIS DRAWING & THE DESIGN SHOWN ARE THE PROPERTY OF ALBERT JAGGER LTD AND MUST NOT BE USED OR COPIED BY A THIRD PARTY WITHOUT PERMISSION

DRAWN BY
U.F

CHECKED BY
A.P



SCALE
1:1.5

MATERIAL
-

MASS
1.616 kg

FINISH
SEE TABLE

Date
14/06/2017

ALL DIMS IN MM UNLESS STATED DO NOT SCALE

A3

1	VALIDATION COMPLETE	28/07/17	A.P
REV	DESCRIPTION	DATE	APPROVED



HEAVY DUTY LASHING RING	
1060-001	1 / 1
Edition 1	Sheet 1 / 1