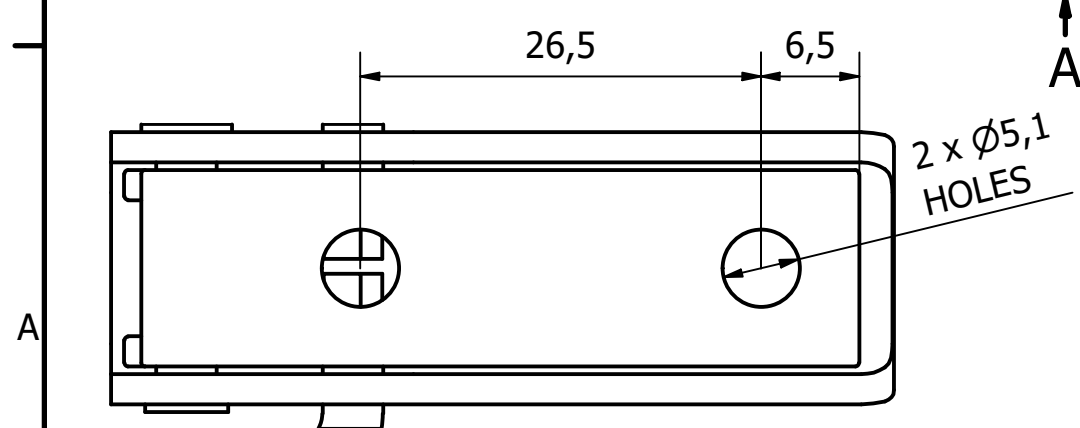
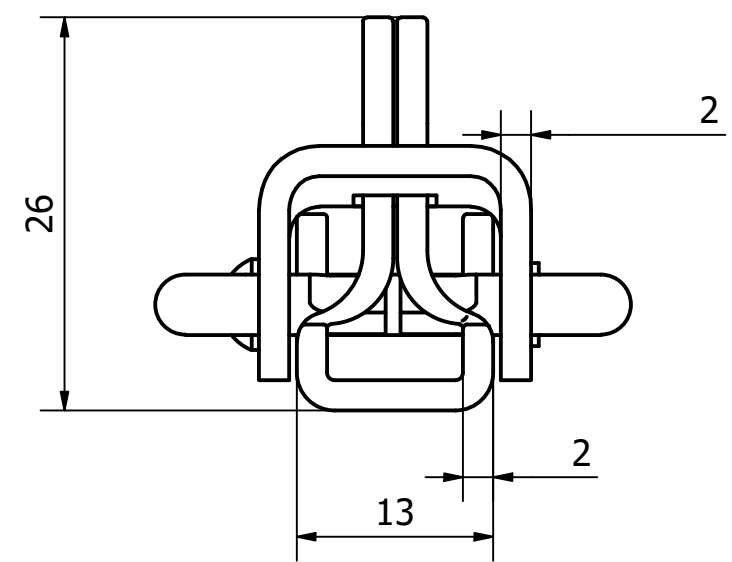
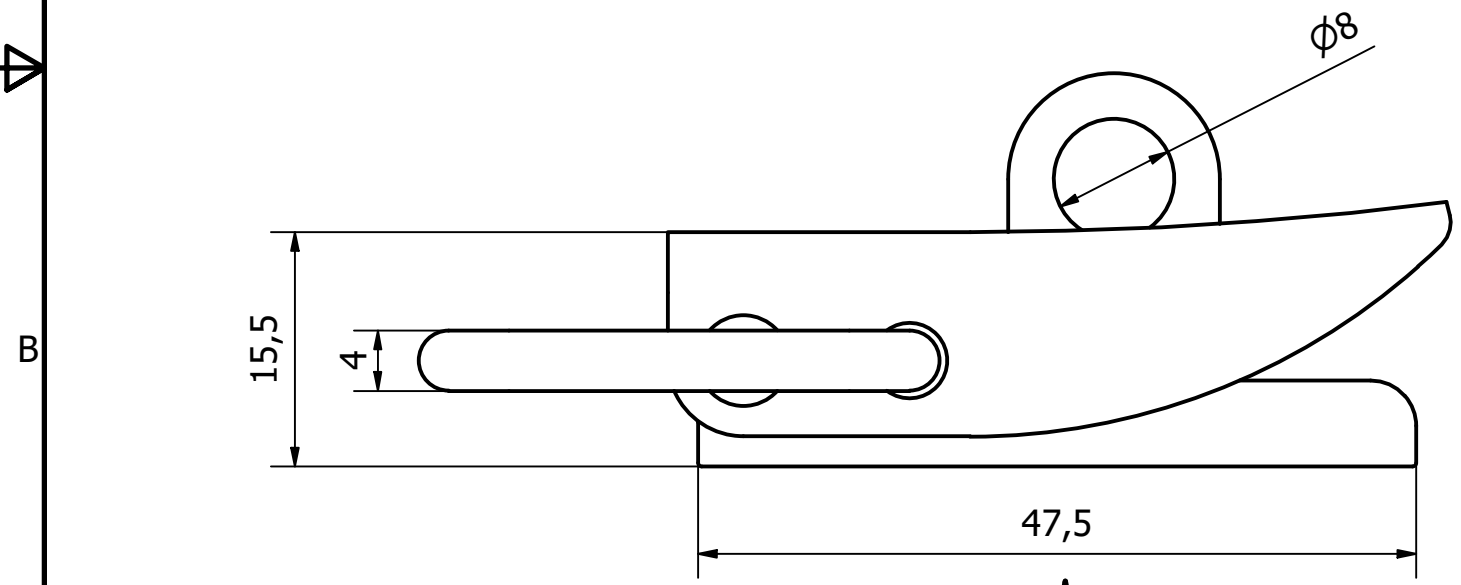
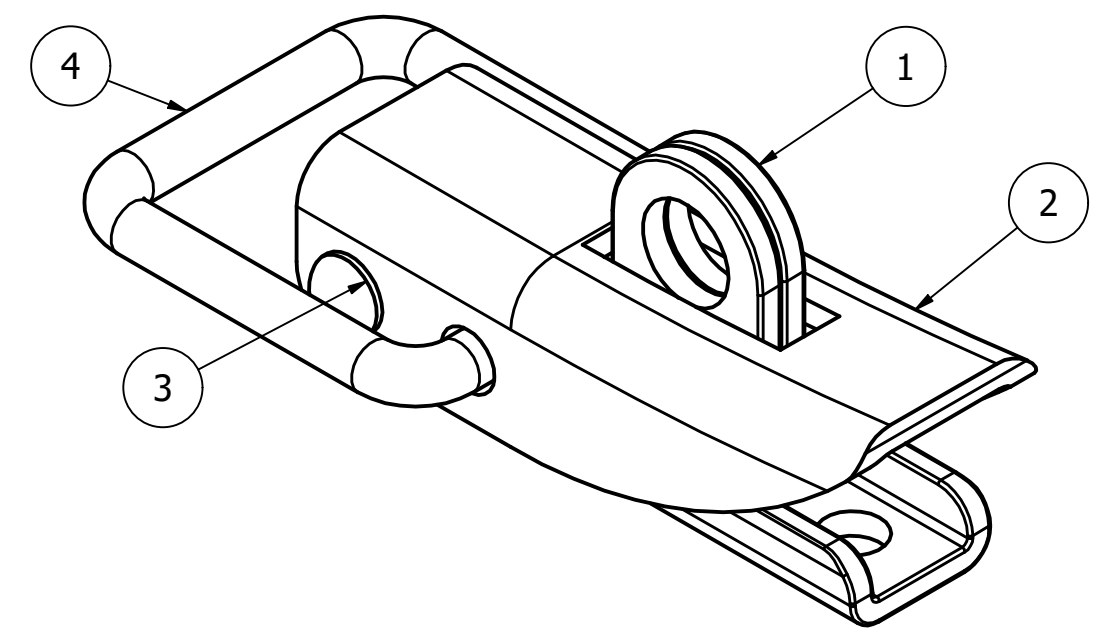


PARTS LIST			
ITEM	QTY	PART NUMBER	DESCRIPTION
1	1	1338-001-1	M/STEEL FASTENER BASE PLATE - NATURAL
2	1	1338-001-2	M/STEEL FASTENER LATCH PLATE - NATURAL
3	1	1338-001-3	M/STEEL RIVET - NATURAL
4	1	1338-001-4	M/STEEL CATCH PLATE HOOK - NATURAL



VIEW A

1	VALIDATION COMPLETE	02/06/21	C.H
REV	DESCRIPTION	DATE	APPROVED

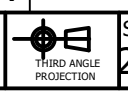
<p>GENERAL TOLERANCES ON LENGTHS</p> <p>0.5 - 6 ± 0.1mm          6 - 30 ± 0.2mm          30 - 120 ± 0.3mm          120 - 400 ± 0.5mm          400 - 1000 ± 0.8mm          1000 - 2000 ± 1.2mm          2000 - 4000 ± 2.0mm</p>
--

ALBERT JAGGER LTD  
 GREEN LANE  
 WALSALL PHONE: 01922 471000  
 WEST MIDLANDS FAX: 01922 648021  
 WS2 8HG

THIS DRAWING & THE DESIGN SHOWN ARE THE PROPERTY OF ALBERT JAGGER LTD AND MUST NOT BE USED OR COPIED BY A THIRD PARTY WITHOUT PERMISSION

DRAWN BY  
U.F

CHECKED BY  
A.P



SCALE  
2 : 1

MATERIAL  
SEE TABLE

MASS  
0.059 kg

FINISH  
SEE TABLE

Date  
28/05/2021

ALL DIMS IN MM UNLESS STATED DO NOT SCALE

A3



1338 SERIES OVER-CENTRE FASTENER - NATURAL					
1338-001	<table border="1"> <tr> <td>Edition</td> <td>Sheet</td> </tr> <tr> <td>1</td> <td>1 / 1</td> </tr> </table>	Edition	Sheet	1	1 / 1
Edition	Sheet				
1	1 / 1				