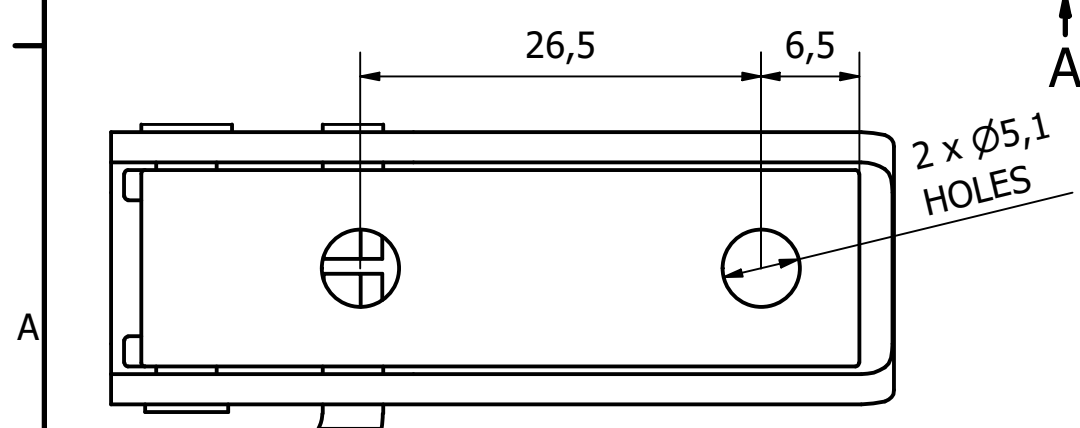
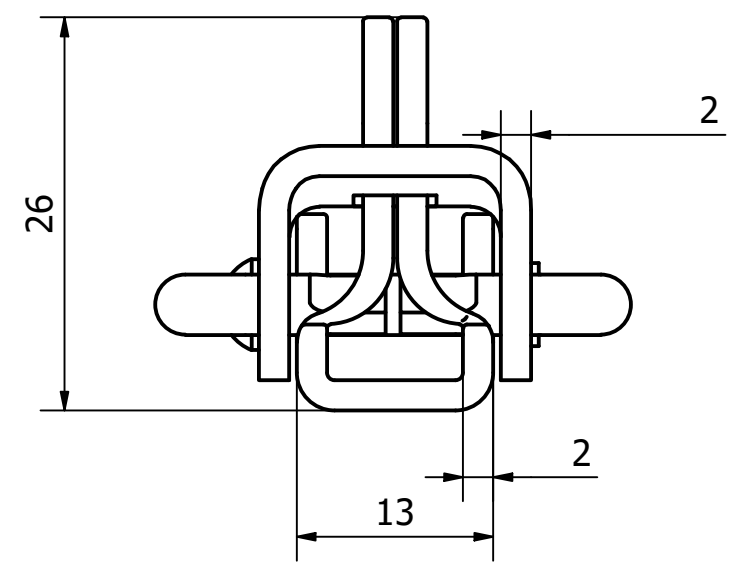
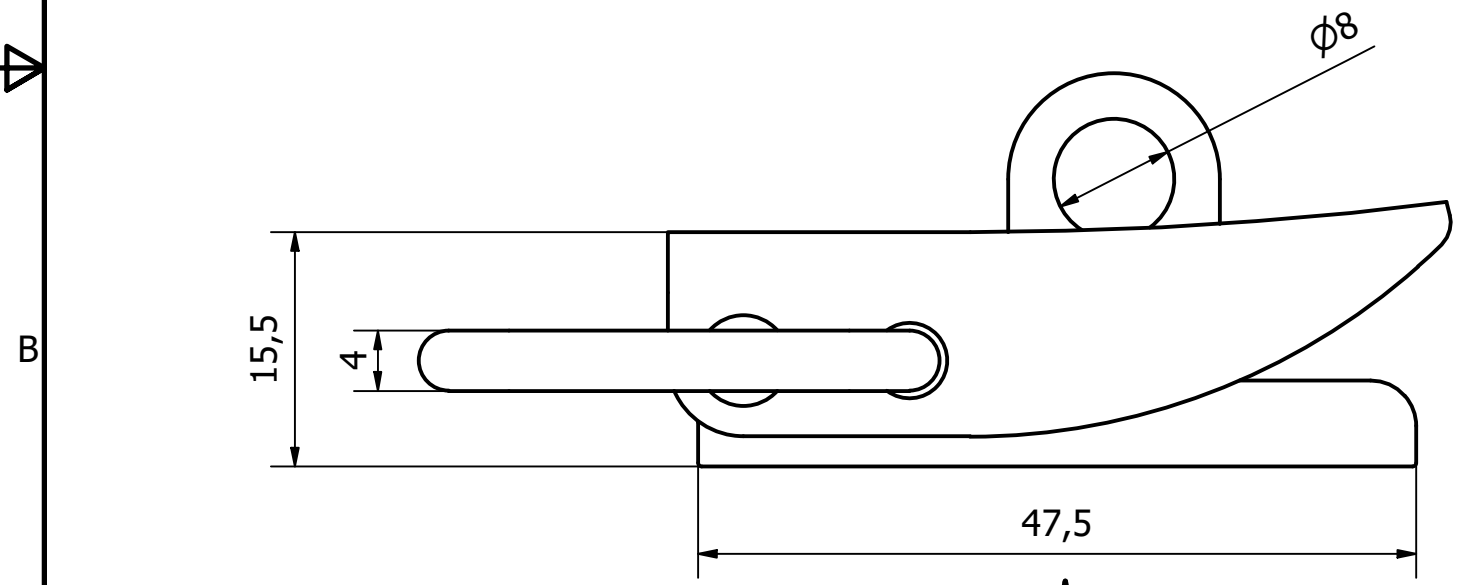
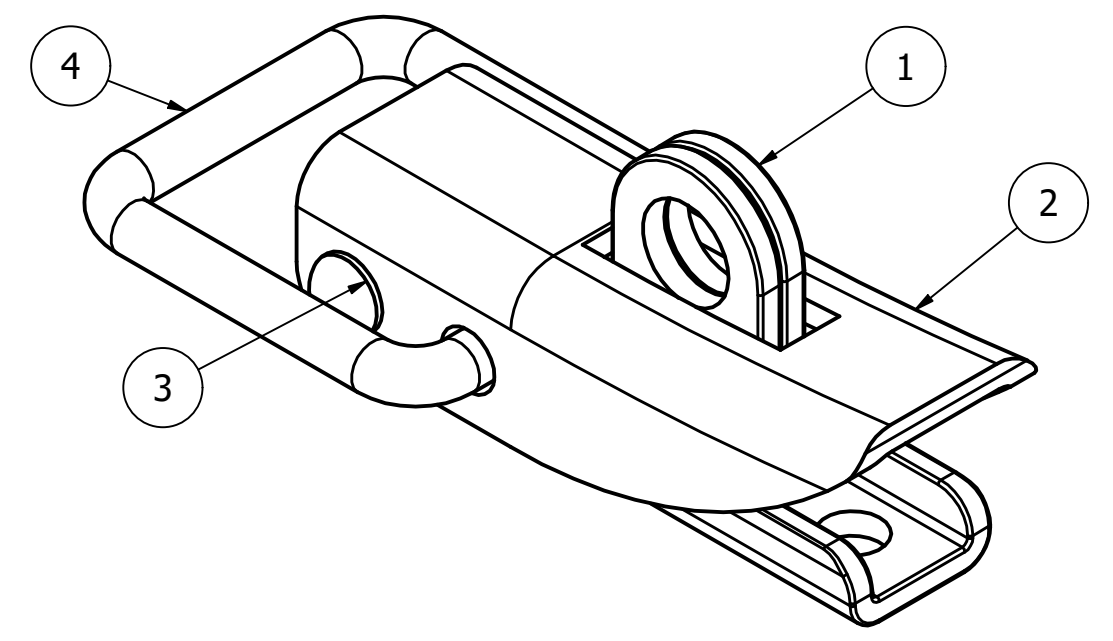


PARTS LIST			
ITEM	QTY	PART NUMBER	DESCRIPTION
1	1	1338-003-1	M/STEEL FASTENER BASE PLATE - CHROME POLSIHED
2	1	1338-003-2	M/STEEL FASTENER LATCH PLATE - CHROME POLISHED
3	1	1338-003-3	M/STEEL RIVET - CHROME POLISHED
4	1	1338-003-4	M/STEEL CATCH PLATE HOOK - CHROME POLISHED



VIEW A

1	VALIDATION COMPLETE	02/06/21	C.H
REV	DESCRIPTION	DATE	APPROVED

GENERAL TOLERANCES ON LENGTHS

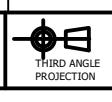
0.5 - 6 ± 0.1mm
6 - 30 ± 0.2mm
30 - 120 ± 0.3mm
120 - 400 ± 0.5mm
400 - 1000 ± 0.8mm
1000 - 2000 ± 1.2mm
2000 - 4000 ± 2.0mm

ALBERT JAGGER LTD
 GREEN LANE
 WALSALL PHONE: 01922 471000
 WEST MIDLANDS FAX: 01922 648021
 WS2 8HG

THIS DRAWING & THE DESIGN SHOWN ARE THE PROPERTY OF ALBERT JAGGER LTD AND MUST NOT BE USED OR COPIED BY A THIRD PARTY WITHOUT PERMISSION

DRAWN BY
U.F

CHECKED BY
A.P



SCALE
2 : 1

MATERIAL
SEE TABLE

MASS
0.059 kg

FINISH
SEE TABLE

Date
28/05/2021

ALL DIMS IN MM UNLESS STATED DO NOT SCALE

A3



1338 SERIES OVER-CENTRE FASTENER - CHROME POLISHED		Edition	Sheet
1338-003		1	1 / 1