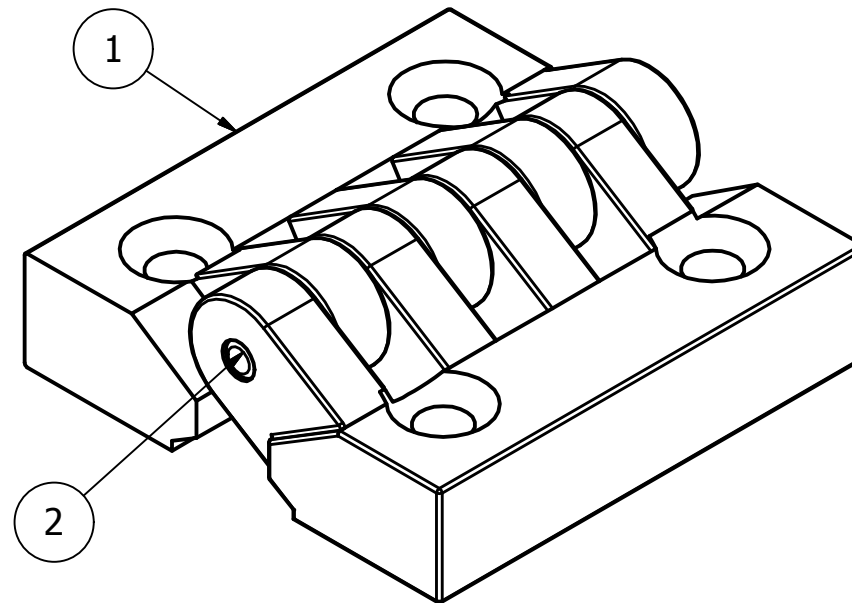
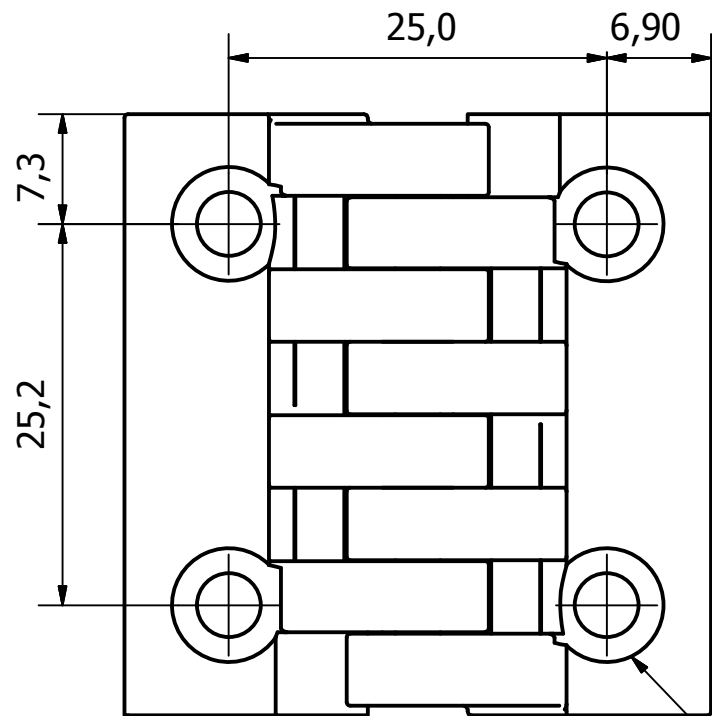
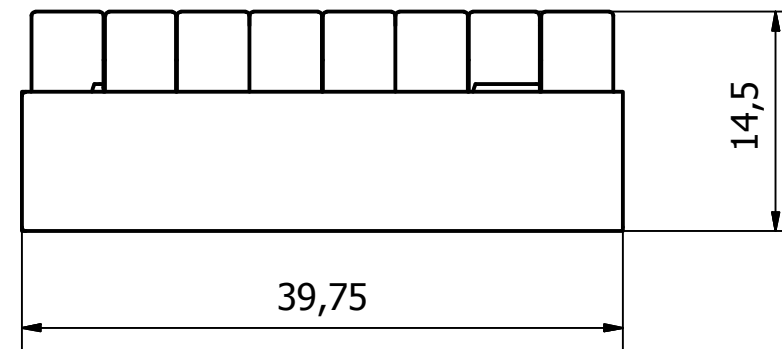
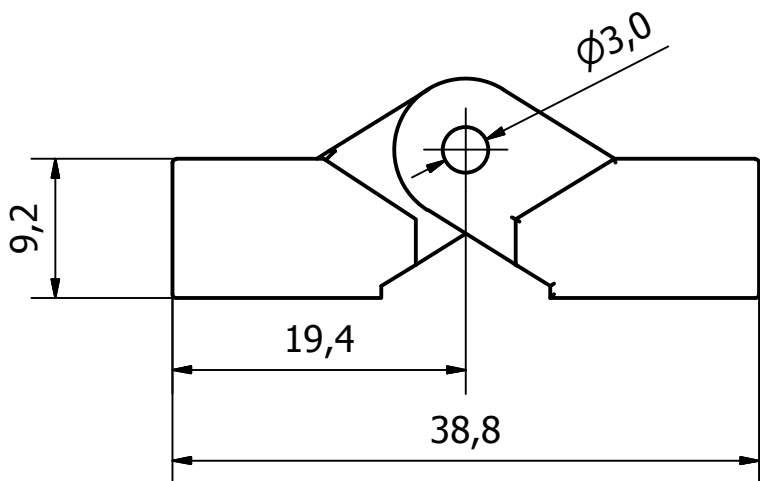


PARTS LIST			
ITEM	QTY	PART NUMBER	DESCRIPTION
1	2	1346-001-1	HINGE BODY
2	1	1346-001-2	SS HINGE PIN - 38.5 O/A



4 x 8.5 ∇ 4.2 @ 90°



1	VALIDATION COMPLETE	22/12/16	A.P
REV	DESCRIPTION	DATE	APPROVED

GENERAL TOLERANCES ON LENGTHS
0.5 - 6 ± 0.1mm
6 - 30 ± 0.2mm
30 - 120 ± 0.3mm
120 - 400 ± 0.5mm
400 - 1000 ± 0.8mm
1000 - 1200 ± 1.2mm
2000 - 4000 ± 2.0mm

ALBERT JAGGER LTD
 GREEN LANE
 WALSALL PHONE: 01922 471000
 WEST MIDLANDS FAX: 01922 648021
 WS2 8HG

THIS DRAWING & THE DESIGN SHOWN ARE THE PROPERTY OF ALBERT JAGGER LTD AND MUST NOT BE USED OR COPIED BY A THIRD PARTY WITHOUT PERMISSION

DRAWN BY
U.F

CHECKED BY
A.P



SCALE
2 : 1

MATERIAL
-

MASS
0.015 kg

FINISH
BLACK

Date
11/10/2016

ALL DIMS IN MM UNLESS STATED DO NOT SCALE

A3



CABINET HINGE - 38.8 x 39.75	
1346-001	1 / 1
Edition 1	Sheet 1 / 1