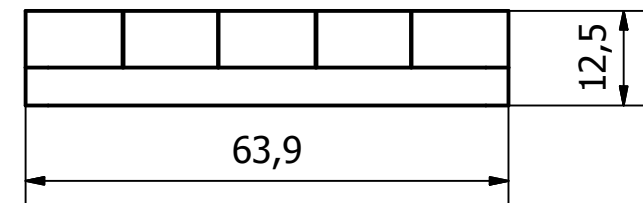
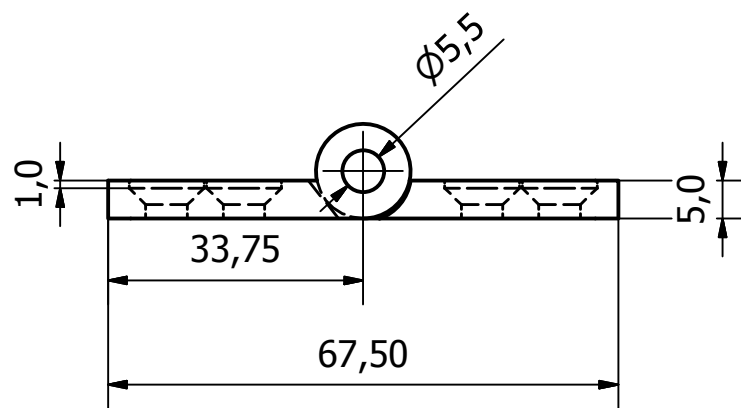
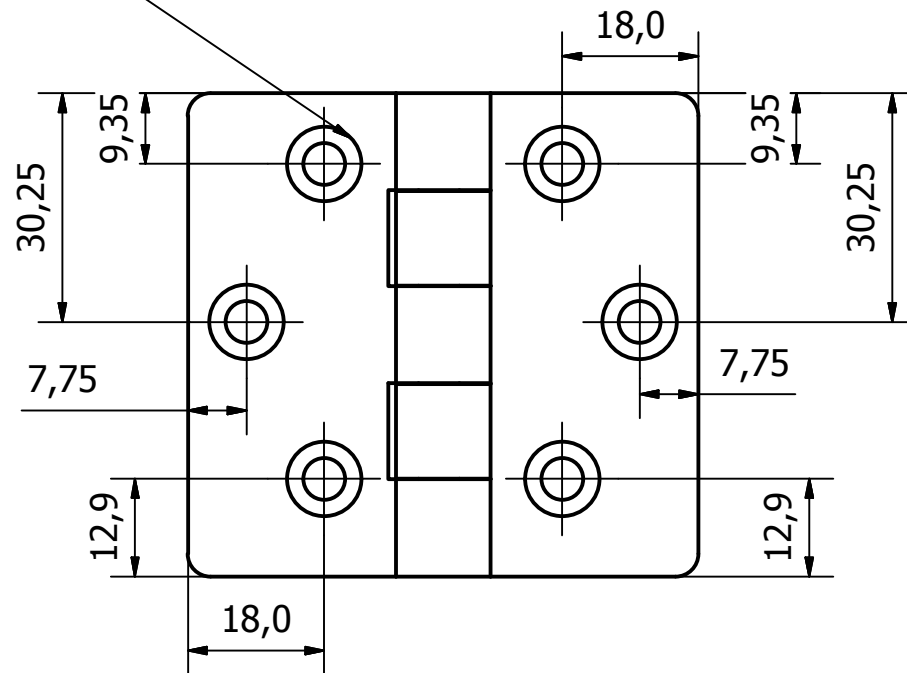
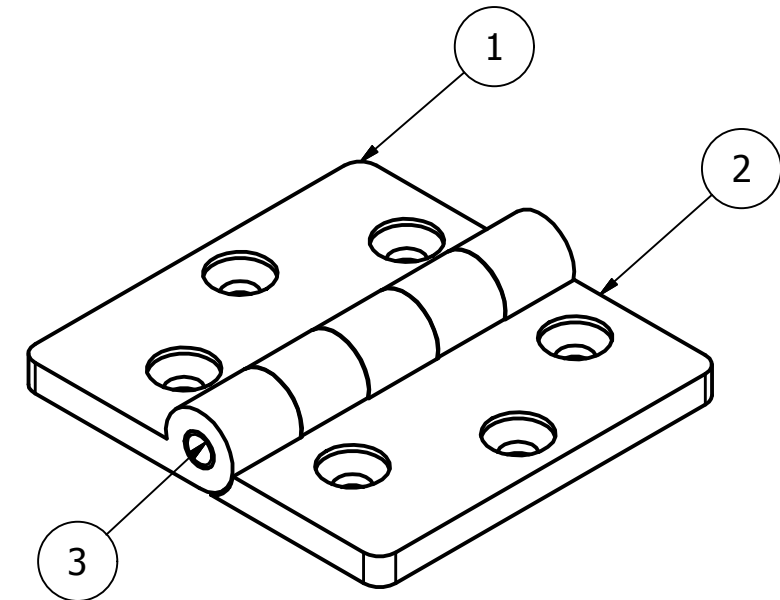


NOTE:  
HINGE DESIGNED FOR 240° OPENING

6 x 9.9 √ 5.5 @ 90°



PARTS LIST			
ITEM	QTY	PART NUMBER	DESCRIPTION
1	1	1349-002-1	PLASTIC HINGE MAIN BODY
2	1	1349-002-2	PLASTIC HINGE MOUNTING BODY
3	1	1349-002-3	BRASS PIN INSERT - 69.3 O/A



PART No.	FINISH
1349-002	BLACK
1349-012	WHITE

GENERAL TOLERANCES ON LENGTHS
0.5 - 6 ± 0.1mm
6 - 30 ± 0.2mm
30 - 120 ± 0.3mm
120 - 400 ± 0.5mm
400 - 1000 ± 0.8mm
1000 - 1200 ± 1.2mm
2000 - 4000 ± 2.0mm

ALBERT JAGGER LTD  
GREEN LANE  
WALSALL PHONE: 01922 471000  
WEST MIDLANDS FAX: 01922 648021  
WS2 8HG

THIS DRAWING & THE DESIGN SHOWN  
ARE THE PROPERTY OF ALBERT JAGGER LTD  
AND MUST NOT BE USED OR COPIED BY A  
THIRD PARTY WITHOUT PERMISSION

DRAWN BY

U.F

CHECKED BY

A.P



SCALE  
1 : 1

MATERIAL  
-

MASS  
0.039 kg

FINISH  
SEE TABLE

Date  
13/10/2016

ALL DIMS IN MM  
UNLESS STATED  
DO NOT SCALE

A3

APPROVED



1	VALIDATION COMPLETE	04/11/16	A.P
REV	DESCRIPTION	DATE	APPROVED
	PLASTIC HINGE - 67.5 x 63.9		
1349-002		Edition 1	Sheet 1 / 1