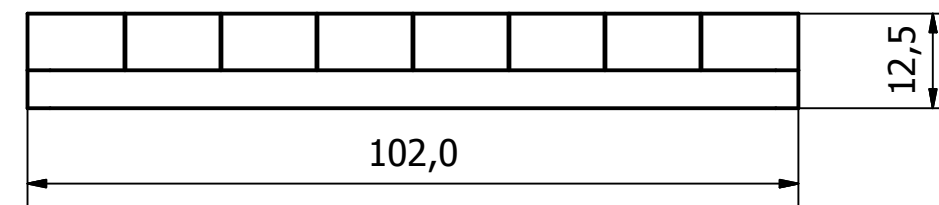
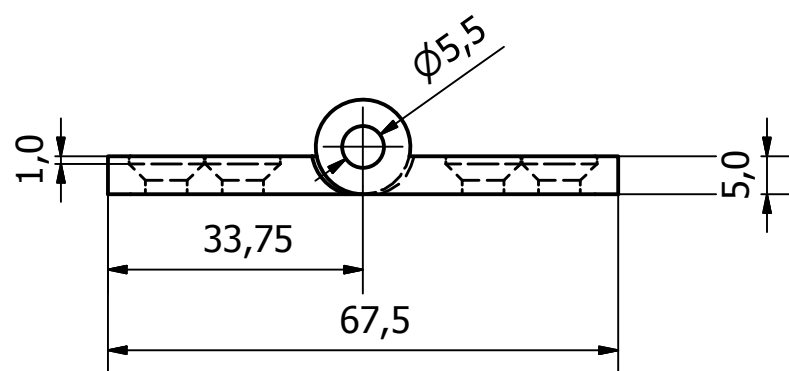
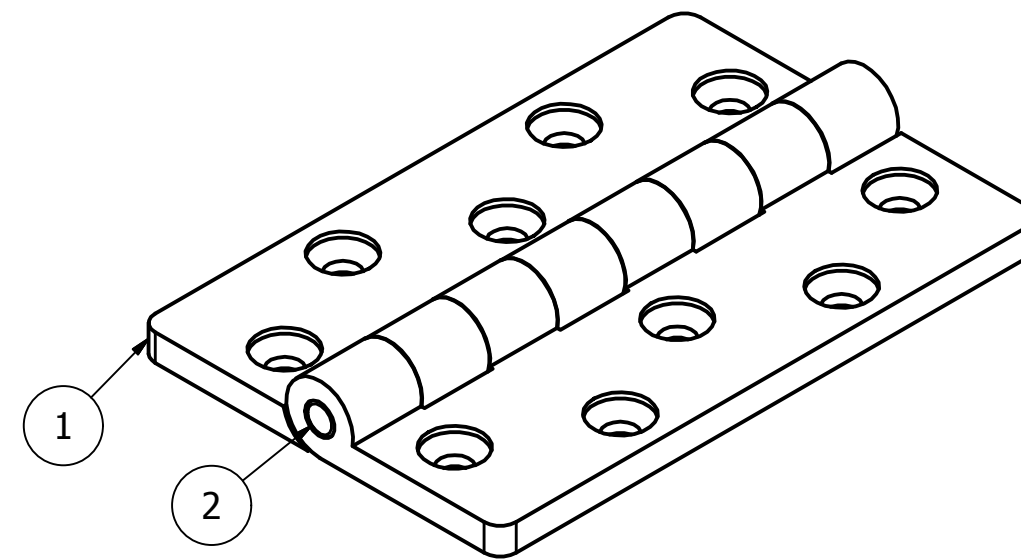
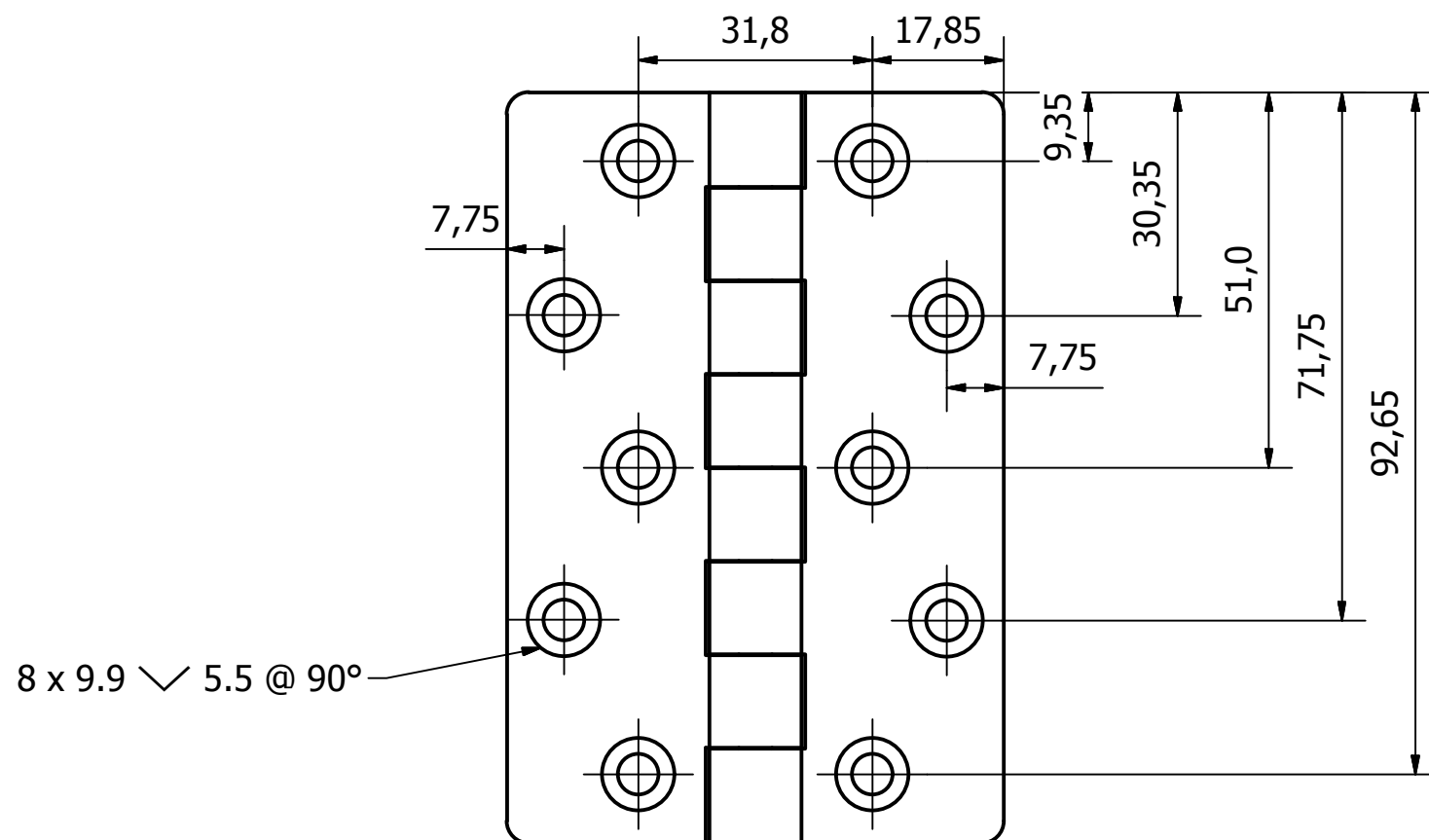


NOTE:
HINGE DESIGNED FOR 240° OPENINGS

PARTS LIST			
ITEM	QTY	PART NUMBER	DESCRIPTION
1	2	1349-003-1	PLASTIC HINGE MAIN BODY
2	1	1349-003-2	BRASS HINGE PIN - 102 O/A



PART No	FINISH
1349-003	BLACK
1349-013	WHITE

GENERAL TOLERANCES ON LENGTHS
0.5 - 6 ± 0.1mm
6 - 30 ± 0.2mm
30 - 120 ± 0.3mm
120 - 400 ± 0.5mm
400 - 1000 ± 0.8mm
1000 - 1200 ± 1.2mm
2000 - 4000 ± 2.0mm

ALBERT JAGGER LTD
GREEN LANE
WALSALL PHONE: 01922 471000
WEST MIDLANDS FAX: 01922 648021
WS2 8HG

THIS DRAWING & THE DESIGN SHOWN ARE THE PROPERTY OF ALBERT JAGGER LTD AND MUST NOT BE USED OR COPIED BY A THIRD PARTY WITHOUT PERMISSION

DRAWN BY
U.F

CHECKED BY
A.P

THIRD ANGLE PROJECTION

SCALE
1 : 1

MATERIAL
-

MASS
0.062 kg

FINISH
SEE TABLE

Date
14/10/2016

ALL DIMS IN MM UNLESS STATED DO NOT SCALE

A3



1	VALIDATION COMPLETE	04/11/16	A.P
REV	DESCRIPTION	DATE	APPROVED
	PLASTIC HINGE - 67.5 x 102		
	1349-003	Edition 1	Sheet 1 / 1