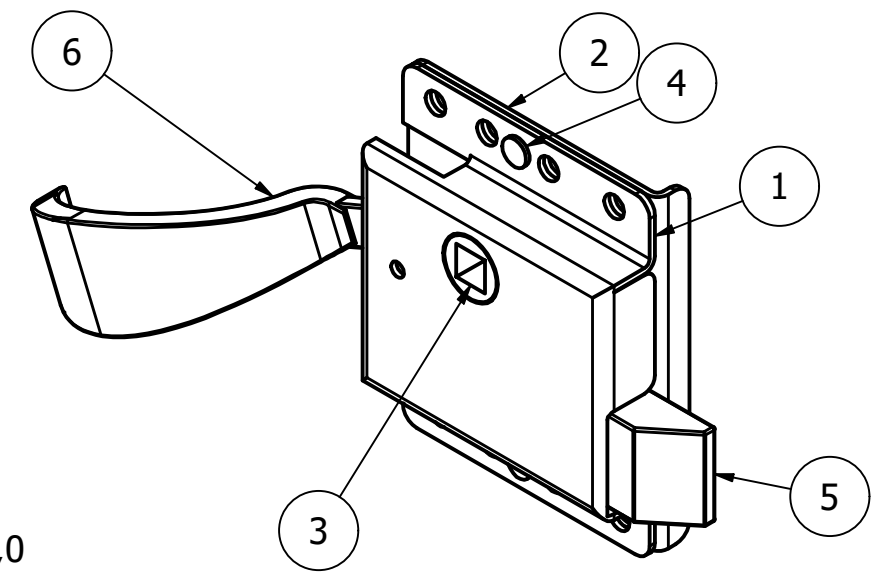
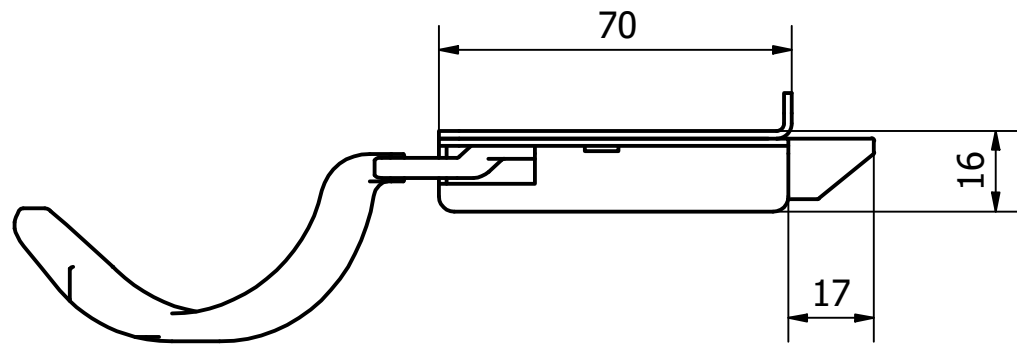
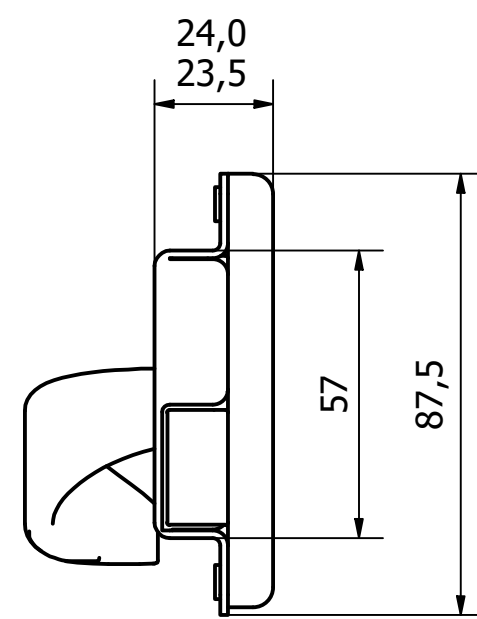
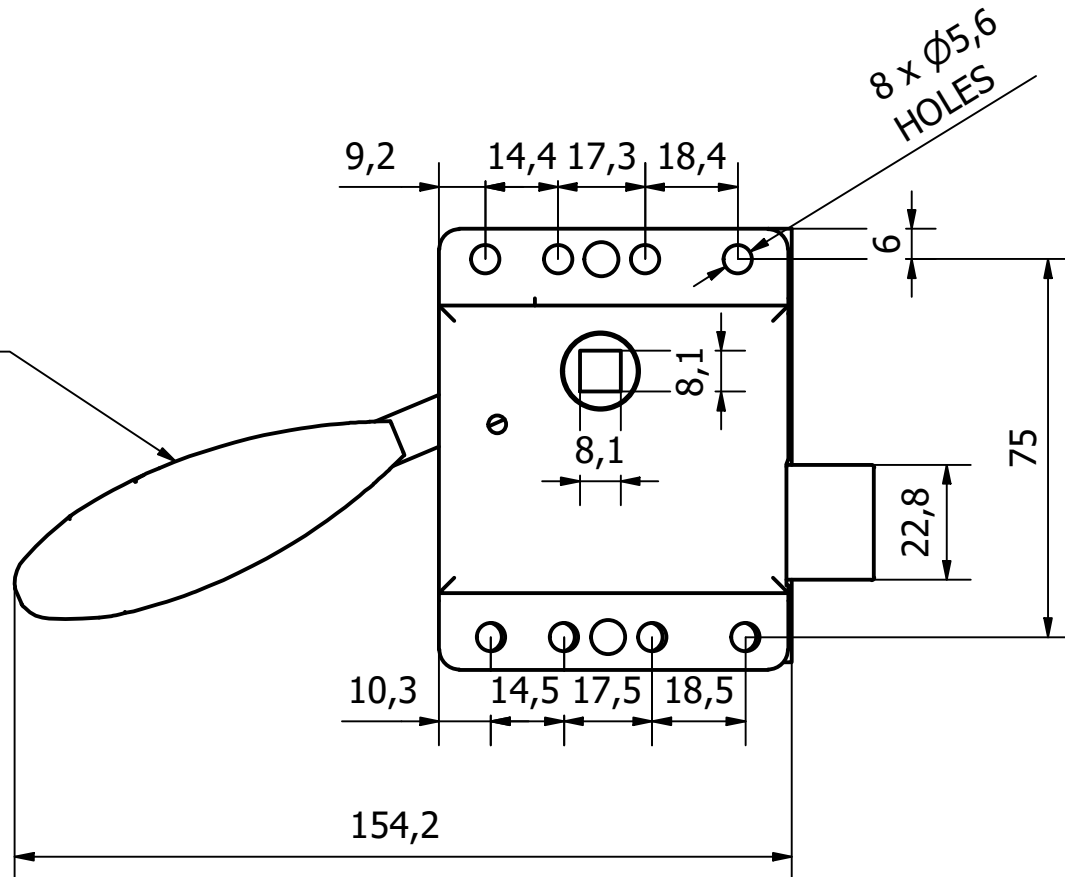


PARTS LIST			
ITEM	QTY	PART NUMBER	DESCRIPTION
1	1	2115-002-1	M/STEEL LOCK TOP COVER PLATE - Z/C PASSIVATED
2	1	2115-002-2	M/STEEL LOCK BOTTOM PLATE - Z/C PASSIVATED
3	1	2115-001-3	M/STEEL SQUARE MOUNTING BARREL - Z/C PASSIVATE
4	2	2115-001-4	M/STEEL RIVET - Z/C PASSIVATE
5	1	2115-001-5	MALLEABLE IRON TONGUE - GALVANISED
6	1	2115-004-3	M/STEEL LOCK HANDLE - Z/C PASSIVATE



PVC DIP COATED HANDLE



1	VALIDATION COMPLETE	12/08/21	A.P
REV	DESCRIPTION	DATE	APPROVED

GENERAL TOLERANCES ON LENGTHS	
0.5 - 6 ± 0.1mm	
6 - 30 ± 0.2mm	
30 - 120 ± 0.3mm	
120 - 400 ± 0.5mm	
400 - 1000 ± 0.8mm	
1000 - 2000 ± 1.2mm	
2000 - 4000 ± 2.0mm	

ALBERT JAGGER LTD  
 GREEN LANE  
 WALSALL PHONE: 01922 471000  
 WEST MIDLANDS FAX: 01922 648021  
 WS2 8HG

THIS DRAWING & THE DESIGN SHOWN  
 ARE THE PROPERTY OF ALBERT JAGGER LTD  
 AND MUST NOT BE USED OR COPIED BY A  
 THIRD PARTY WITHOUT PERMISSION

DRAWN BY U.F  
 CHECKED BY A.P



SCALE 1:1.5

MATERIAL SEE TABLE

MASS 0.396 kg

FINISH SEE TABLE

Date 12/08/2021

ALL DIMS IN MM UNLESS STATED DO NOT SCALE

A3



M/STEEL PLANT ON SLAM LOCK - RH		Edition 1	Sheet 1 / 1
2115-002			