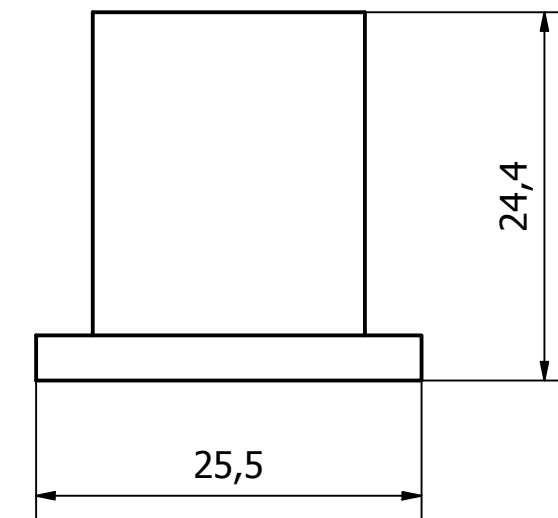
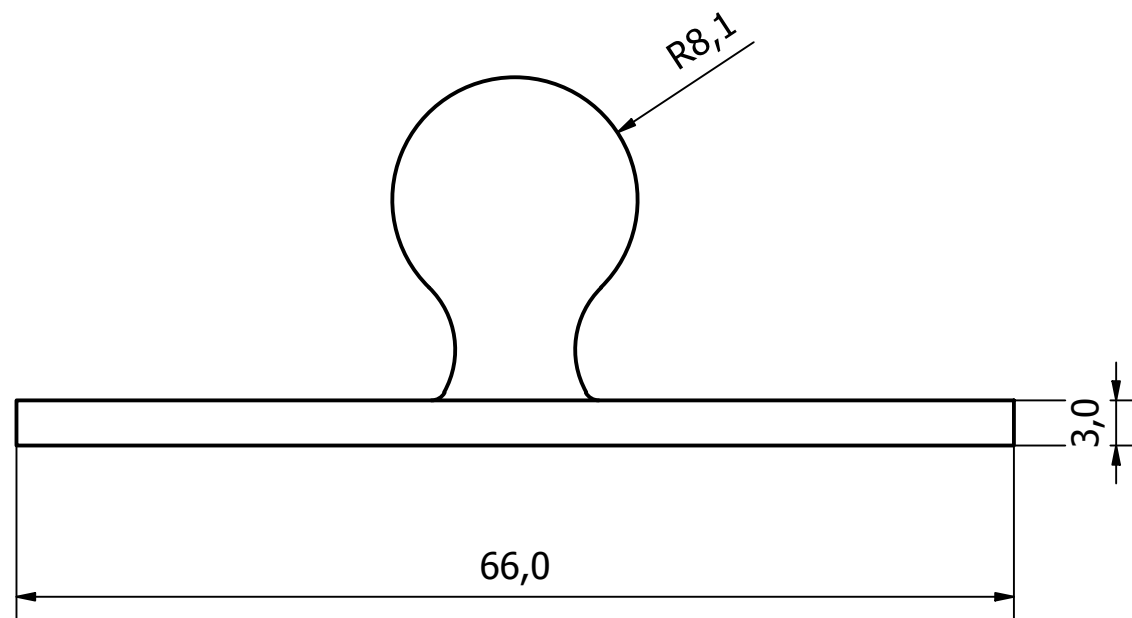
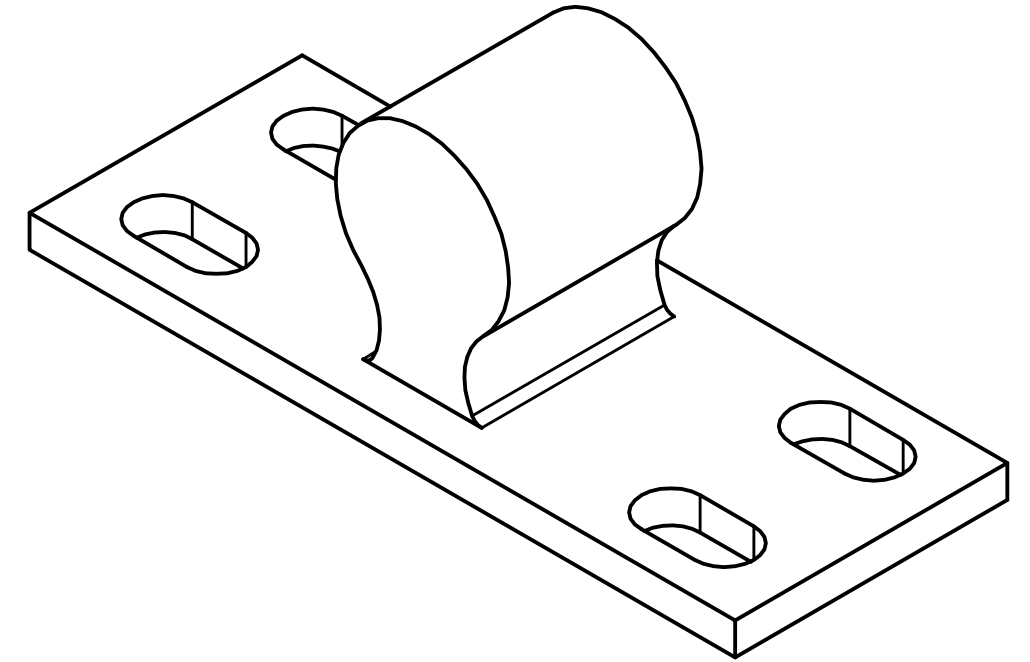
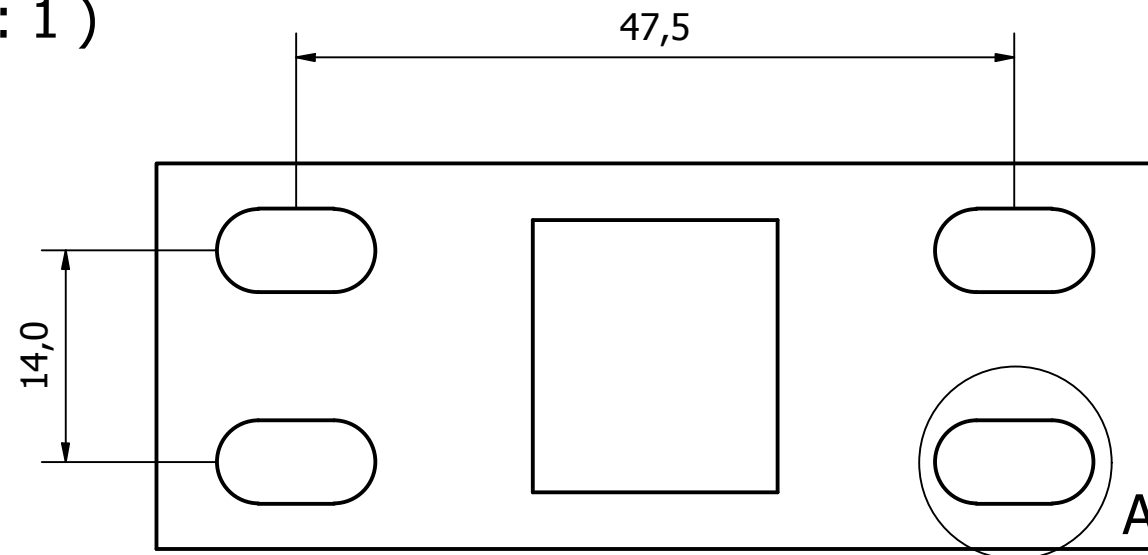


A (2 : 1)



NOTE:
FOR USE WITH 2132-004 FEMALE

GENERAL TOLERANCES ON LENGTHS	
0.5 - 6 ± 0.1mm	
6 - 30 ± 0.2mm	
30 - 120 ± 0.3mm	
120 - 400 ± 0.5mm	
400 - 1000 ± 0.8mm	
1000 - 2000 ± 1.2mm	
2000 - 4000 ± 2.0mm	

ALBERT JAGGER LTD
GREEN LANE
WALSALL PHONE: 01922 471000
WEST MIDLANDS FAX: 01922 648021
WS2 8HG

THIS DRAWING & THE DESIGN SHOWN
ARE THE PROPERTY OF ALBERT JAGGER LTD
AND MUST NOT BE USED OR COPIED BY A
THIRD PARTY WITHOUT PERMISSION

DRAWN BY
A,S

CHECKED BY
A.P



SCALE
2 : 1

MATERIAL
CAST IRON

MASS
0.064 kg

FINISH
Z+C
PASSIVATE

Date
28/01/2019

ALL DIMS IN MM
UNLESS STATED
DO NOT SCALE

A3



CLAW DOOR RETAINER - MALE - 2132 SERIES	
2132-003	Edition 1
	Sheet 1 / 1

1	VALIDATION COMPLETE	15/02/19	A.P
REV	DESCRIPTION	DATE	APPROVED