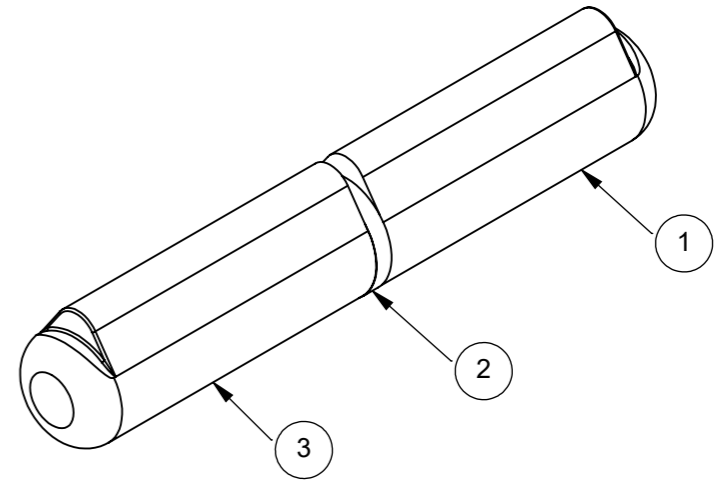
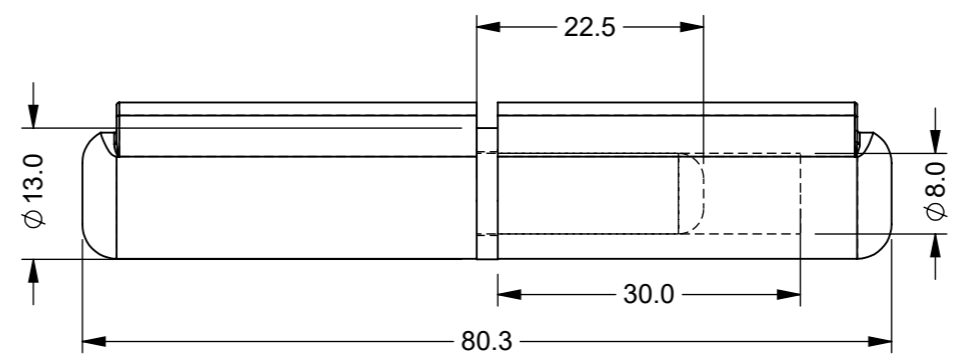
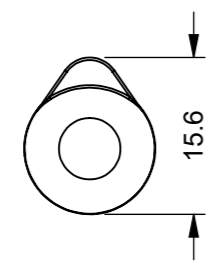
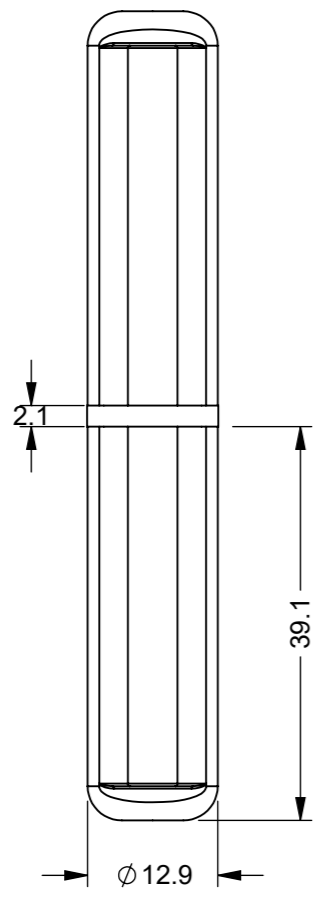


| ITEM NO. | PART NUMBER | DESCRIPTION | QTY. |
|----------|--------------|----------------------------------|------|
| 1 | 2217-024.iam | S/STEEL 304 HINGE BASE | 1 |
| 2 | 2217-024-2 | S/STEEL 304 BEARING WASHER | 1 |
| 3 | 2217-024-3 | S/STEEL 304 HINGE MOUNTING BLOCK | 1 |



| ZONE | REV. | DESCRIPTION | DATE | APPROVED |
|------|------|-------------------------------------|------------|----------|
| | 2 | RE-DRAWN IN SOLIDWORKS & ADDED DIMS | 28/07/2023 | SR |

UNLESS OTHERWISE STATED, ALL DIMENSIONS IN mm

| TOLERANCES | SURFACE FINISH |
|-----------------------|-------------------------|
| 0.5 - 6 = ±0.1mm | 1.6µm Ra |
| 6 - 30 = ±0.2 mm | FILLET RADII 0.5 TO 1.0 |
| 30 - 120 = ±0.3 mm | SQUARENESS 0.05 IN 25 |
| 120 - 400 = ±0.5 mm | PARALLELISM 0.05 IN 25 |
| 400 - 1000 = ±0.8 mm | RUNOUT 0.1 |
| 1000 - 2000 = ±1.2 mm | ANGLES ±0.5° |
| 2000 - 4000 = ±2.0 mm | |

| | | | | | |
|---------------------|-----------------|--|--|---------------|----------------------|
| MATERIAL: SEE TABLE | DRAWN BY: SR | DESCRIPTION: SS WELD ON LIFT - OFF HINGE - 80.25 O/A | | | A3 |
| MASS: 0.087KG | CHECKED BY: AP | NUMBER: 2217-024 | REVISION: 2 | SHEET: 1 of 1 | |
| FINISH: NATURAL | APPROVED BY: AP | ORIGINATION DATE: 28/07/2023 | SCALE: PROPORTIONAL - DO NOT SCALE REF SCALE 1:1 WHEN PRINTED ON A3 | | PROJECTION 3rd ANGLE |

PROPRIETARY RIGHTS ARE INCLUDED IN THE INFORMATION DISCLOSED HEREIN. NEITHER THIS DOCUMENT NOR ANY INFORMATION DISCLOSED SHALL BE REPRODUCED, USED, TRANSFERRED TO OTHER DOCUMENTS, OR DISCLOSED TO OTHERS FOR ANY PURPOSE INCLUDING MANUFACTURING UNLESS SPECIFICALLY AUTHORIZED IN WRITING
REMOVE ALL SHARP EDGES AND BURRS
PART FINISHING AND MARKING TO CESF001



IF IN DOUBT ASK

