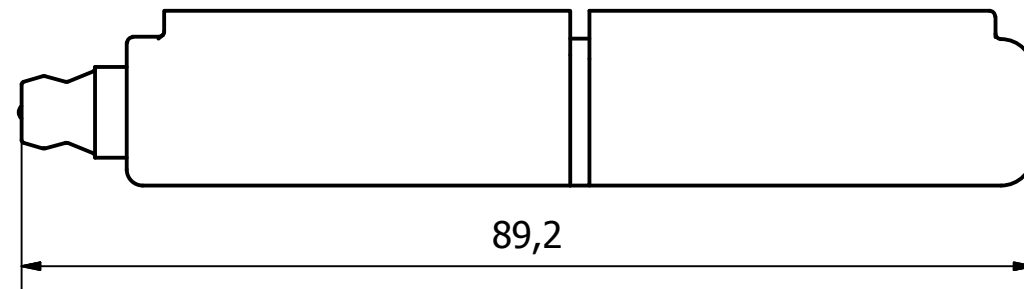
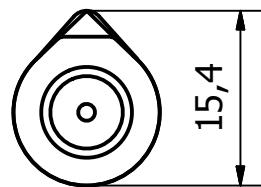
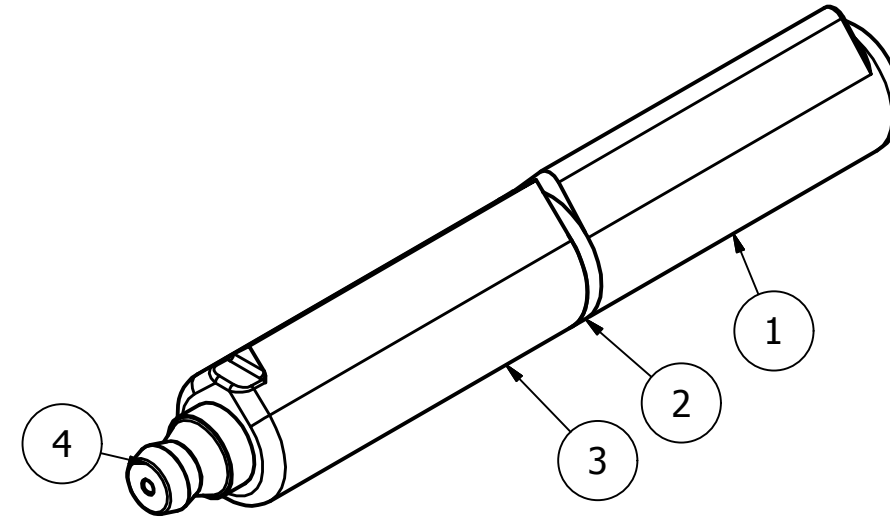
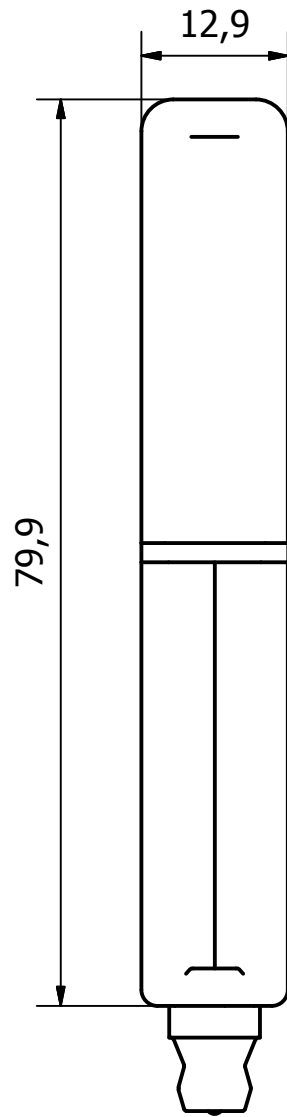


PARTS LIST			
ITEM	QTY	PART NUMBER	DESCRIPTION
1	1	2217-004-1	CARBON STEEL HINGE BASE
2	1	2217-004-2	BRASS BEARING WASHER
3	1	2219-004-1	CARBON STEEL MOUNTING BLOCK
4	1	2219-004-2	SS GREASE NIPPLE



1	VALIDATION COMPLETE	20/01/2017	A.P
REV	DESCRIPTION	DATE	APPROVED

GENERAL TOLERANCES ON LENGTHS

0.5 - 6 ± 0.1mm
6 - 30 ± 0.2mm
30 - 120 ± 0.3mm
120 - 400 ± 0.5mm
400 - 1000 ± 0.8mm
1000 - 1200 ± 1.2mm
2000 - 4000 ± 2.0mm

ALBERT JAGGER LTD
GREEN LANE
WALSALL PHONE: 01922 471000
WEST MIDLANDS FAX: 01922 648021
WS2 8HG

THIS DRAWING & THE DESIGN SHOWN ARE THE PROPERTY OF ALBERT JAGGER LTD AND MUST NOT BE USED OR COPIED BY A THIRD PARTY WITHOUT PERMISSION

DRAWN BY
U.F

CHECKED BY
A.P



SCALE
1.5:1

MATERIAL
-

MASS
0.083 kg

FINISH
NATURAL

Date
11/11/2016

ALL DIMS IN MM UNLESS STATED DO NOT SCALE

A3



WELD ON LIFT - OFF HINGE 89.2 O/A - SS GREASE NIPPLE

2219-004

Edition	Sheet
1	1 / 1