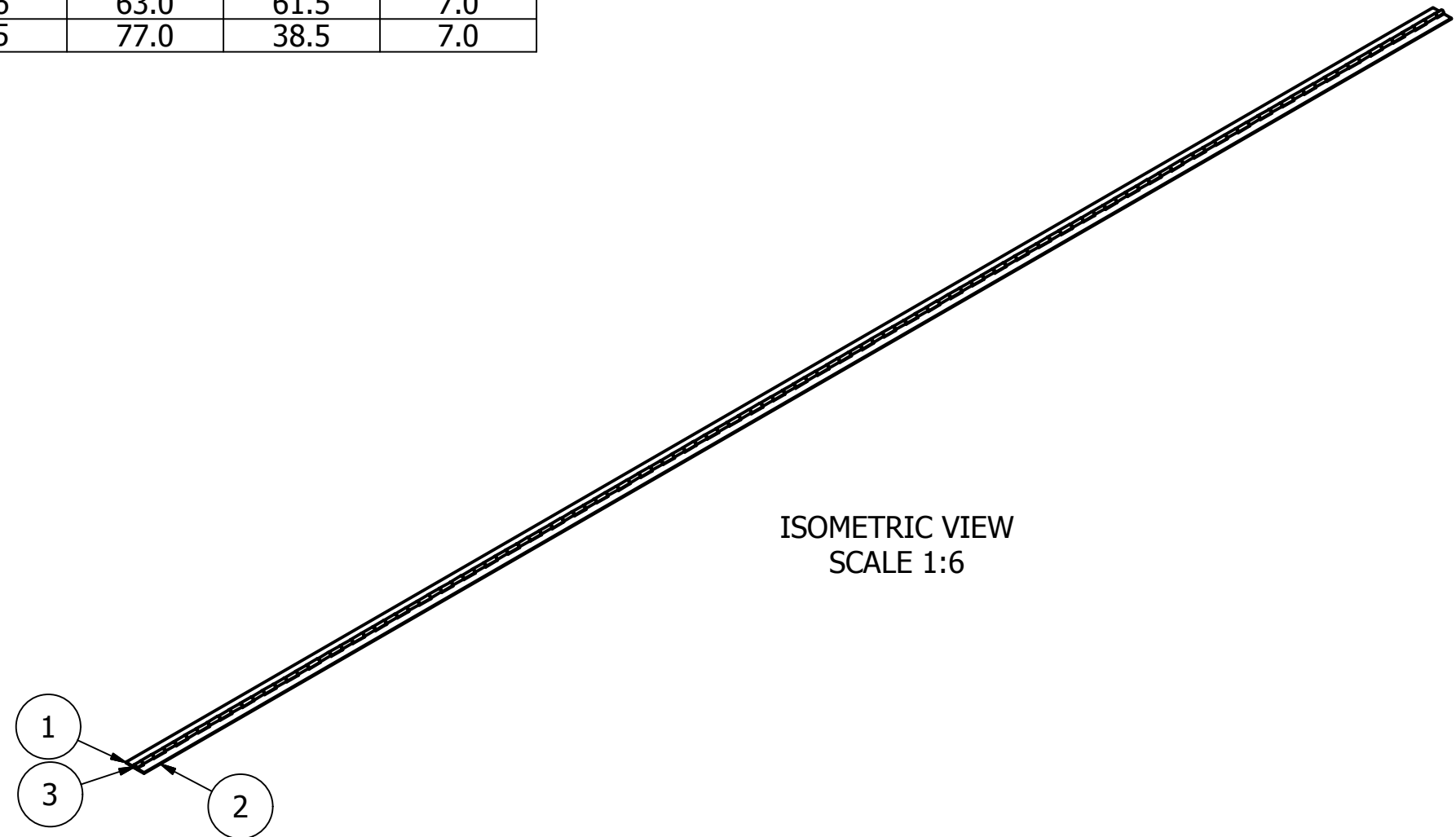
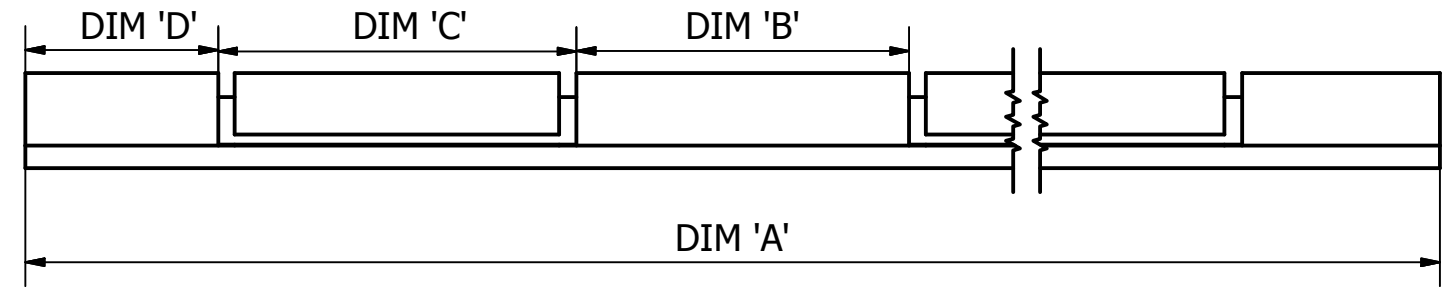
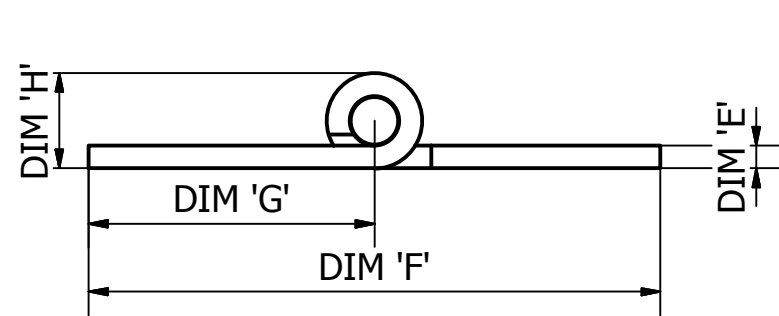


PART No.	DIM 'A'	DIM 'B'	DIM 'C'	DIM 'D'	DIM 'E'	DIM 'F'	DIM 'G'	DIM 'H'
2234/2500	1800	14.3	15.8	8.5	1.0	25.2	12.6	4.2
2234/4000	1838	24.9	25.9	17.8	1.2	40.0	20.0	7.0
2234/5000	1800	14.4	15.6	8.5	1.5	50.0	25.0	7.0
2234/5700	2160	14.4	15.6	8.4	1.5	57.5	28.75	7.0
2234/6300	1800	14.5	15.6	8.4	1.6	63.0	61.5	7.0
2234/7600	2160	14.5	15.6	8.5	1.5	77.0	38.5	7.0

PARTS LIST			
ITEM	QTY	PART NUMBER	DESCRIPTION
1	1	2234-2500-1	S/STEEL HINGE FLAP - LH
2	1	2234-2500-2	S/STEEL HINGE FLAP - RH
3	1	2234-2500-3	S/STEEL HINGE PIN



ISOMETRIC VIEW  
SCALE 1:6



GENERAL TOLERANCES ON LENGTHS
0.5 - 6 ± 0.1mm
6 - 30 ± 0.2mm
30 - 120 ± 0.3mm
120 - 400 ± 0.5mm
400 - 1000 ± 0.8mm
1000 - 1200 ± 1.2mm
2000 - 4000 ± 2.0mm

ALBERT JAGGER LTD  
GREEN LANE  
WALSALL PHONE: 01922 471000  
WEST MIDLANDS FAX: 01922 648021  
WS2 8HG

THIS DRAWING & THE DESIGN SHOWN ARE THE PROPERTY OF ALBERT JAGGER LTD AND MUST NOT BE USED OR COPIED BY A THIRD PARTY WITHOUT PERMISSION

DRAWN BY  
U.F

CHECKED BY  
A.P



SCALE  
3 : 1

MATERIAL  
-

MASS  
0.490 kg

FINISH  
MIRROR POLISH

Date  
27/03/2017

ALL DIMS IN MM UNLESS STATED DO NOT SCALE

A3

1	VALIDATION COMPLETE	13/04/17	A.P
REV	DESCRIPTION	DATE	APPROVED



S/STEEL PIANO HINGE - 1800 O/A  
2234-2500

Edition	Sheet
1	1 / 1