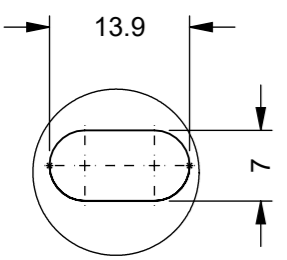
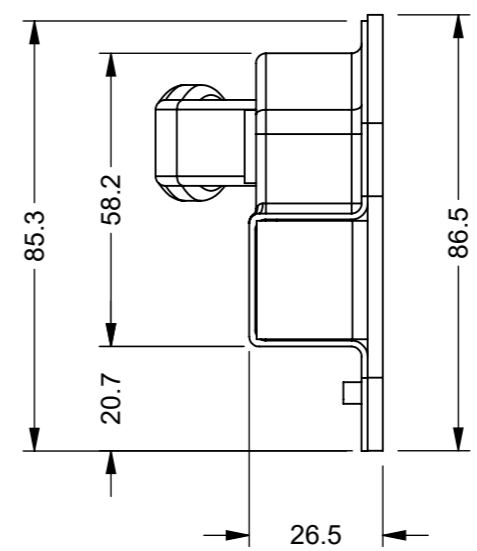
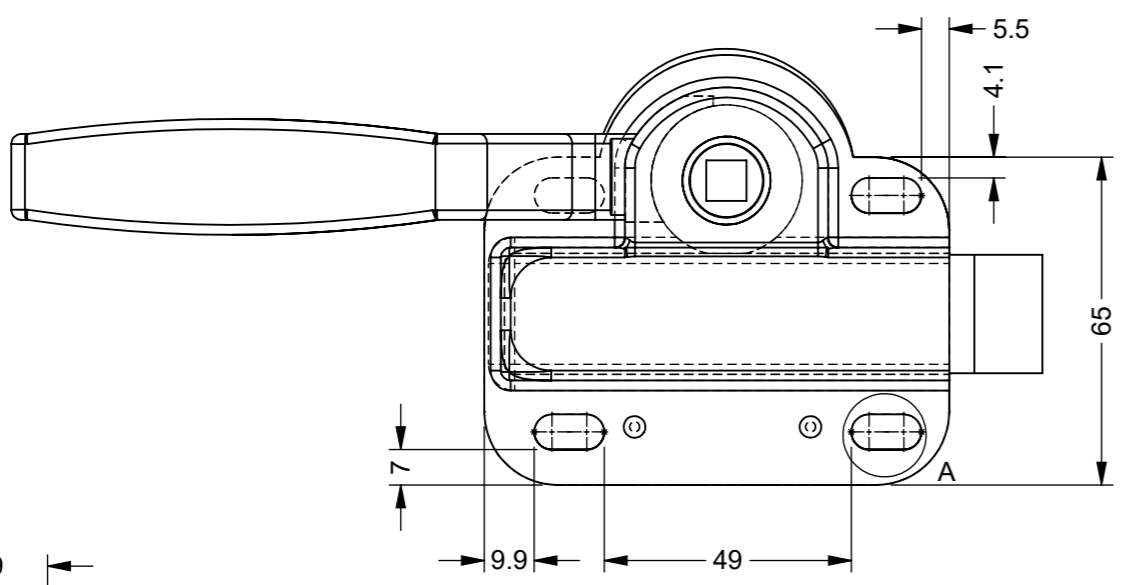
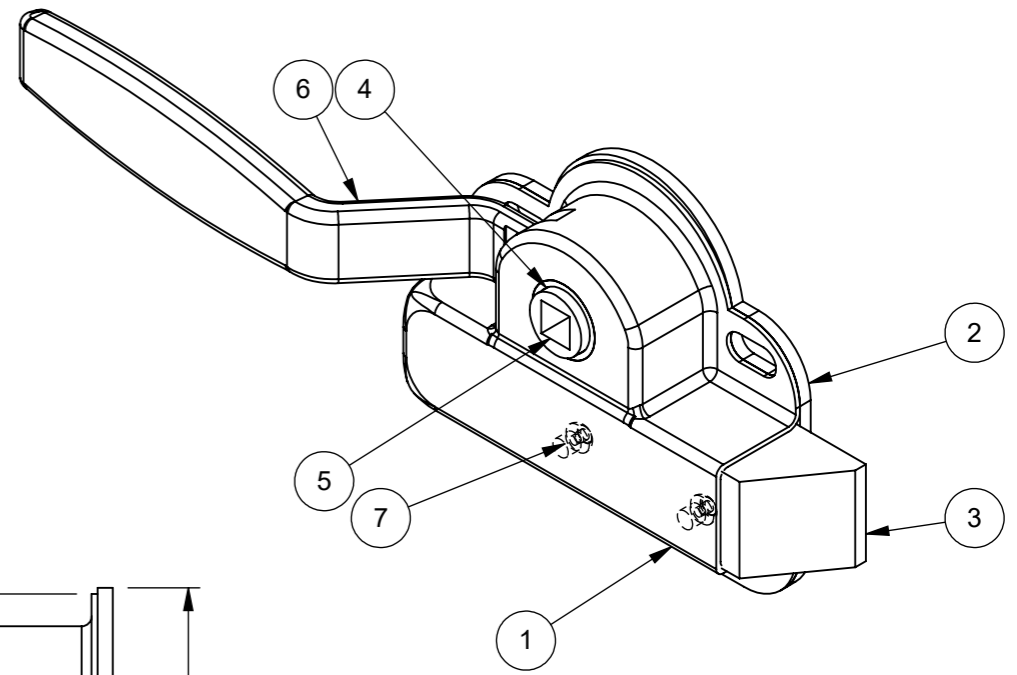
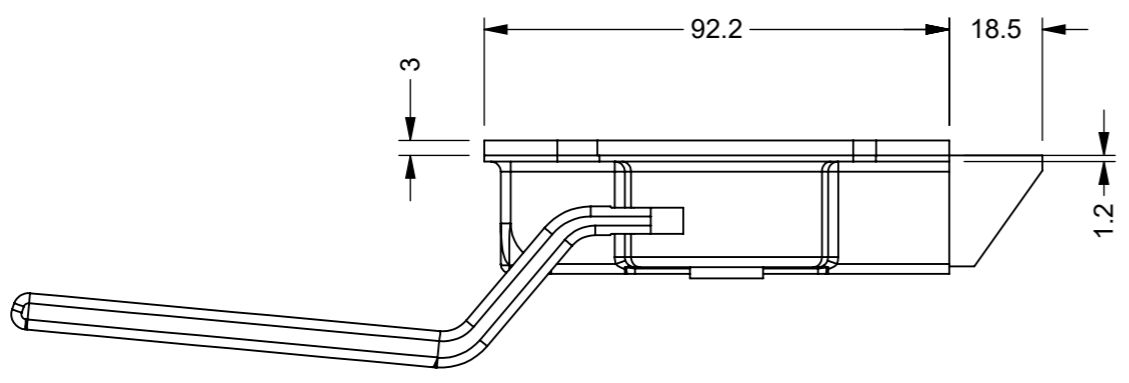


IF IN DOUBT ASK

ITEM NO.	PART NUMBER	DESCRIPTION	QTY.
1	2400-001-1	M/STEEL SLAM LOCK CASE - L/H Z/C PASSIVATED	1
2	2410-001-2	PLASTIC BACK PLATE - BLACK	1
3	2410-001-3	NYLON TONGUE - WHITE	1
4	2410-001-4	NYLON BARREL AND HANDLE MOUNT - WHITE	1
5	2410-001-5	M/STEEL BARREL - Z/C PASSIVATED	1
6	2410-001-6	M/STEEL HANDLE - Z/C PASSIVATED WITH PLASTIC DIP COATING	1
7	2410-001-7	M/STEEL RIVETS - Z/C PASSIVATED	2



DETAIL A  
SCALE: 4 : 3  
4 PLACES

UNLESS OTHERWISE STATED, ALL DIMENSIONS IN mm

TOLERANCES		SURFACE FINISH 1.6µm Ra	
0.5 - 6	= ±0.1mm	FILLET RADII	0.5 TO 1.0
6 - 30	= ±0.2 mm	SQUARENESS	0.05 IN 25
30 - 120	= ±0.3 mm	PARALLELISM	0.05 IN 25
120 - 400	= ±0.5 mm	RUNOUT	0.1
400 - 1000	= ±0.8 mm	ANGLES	±0.5°
1000 - 2000	= ±1.2 mm		
2000 - 4000	= ±2.0 mm		

MATERIAL: SEE TABLE		DRAWN BY: UF		DESCRIPTION: PLANT-ON SLAM LOCK - LH WITH HANDLE		A3
MASS: 0.37		CHECKED BY: A.P		NUMBER: 2410-001		
FINISH: SEE TABLE		APPROVED BY: A.P		REVISION: 2	SHEET: 1 of 1	
ORIGINATION DATE: 08/01/2024		SCALE : PROPORTIONAL - DO NOT SCALE		REF SCALE 1:2 WHEN PRINTED ON A3		PROJECTION 3rd ANGLE

PROPRIETARY RIGHTS ARE INCLUDED IN THE INFORMATION DISCLOSED HEREIN. NEITHER THIS DOCUMENT NOR ANY INFORMATION DISCLOSED SHALL BE REPRODUCED, USED, TRANSFERRED TO OTHER DOCUMENTS, OR DISCLOSED TO OTHERS FOR ANY PURPOSE INCLUDING MANUFACTURING UNLESS SPECIFICALLY AUTHORIZED IN WRITING  
REMOVE ALL SHARP EDGES AND BURRS  
PART FINISHING AND MARKING TO CESF001

