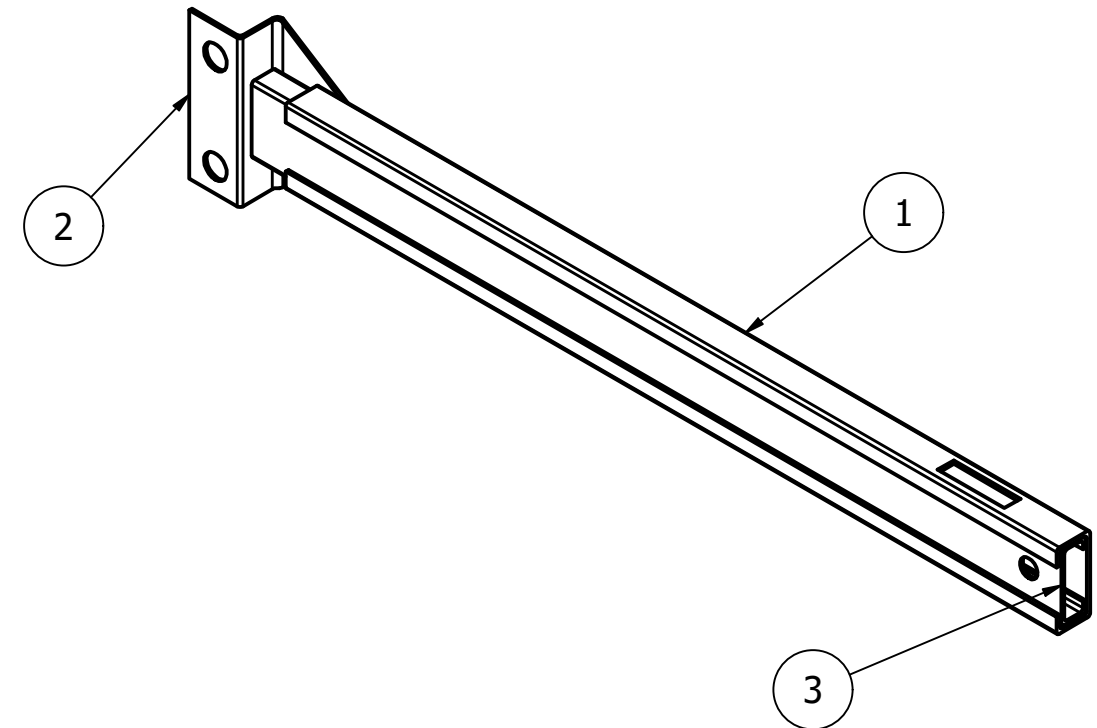
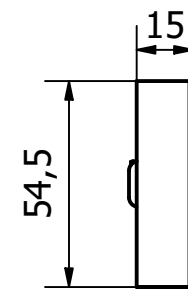
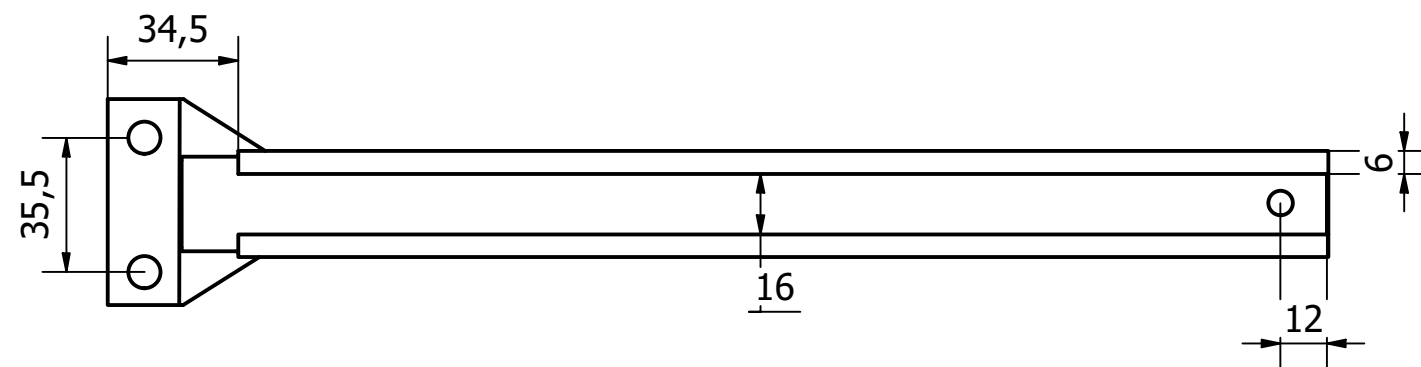
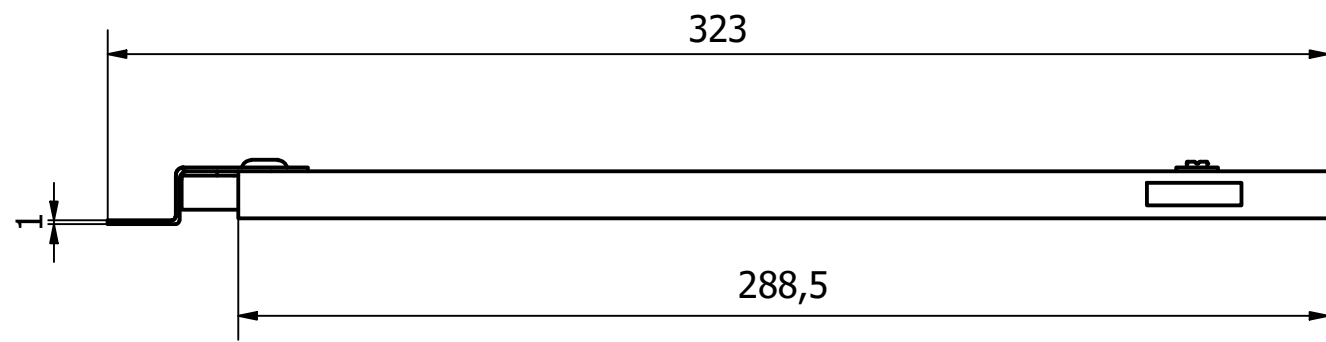


PARTS LIST			
ITEM	QTY	PART NUMBER	DESCRIPTION
1	1	2522-001-2	M/STEEL-OUTER PRESSED PLATE -Z/C PASSIVATE
2	1	2522-001-1	M/STEEL- BRACKET -Z/C PASSIVATE
3	1	2522-001-3	M/STEEL- INNER PRESSED PLATE-Z/C PASSIVATE



1	VALIDATION COMPLETE	15/09/2021	C.H
REV	DESCRIPTION	DATE	APPROVED

GENERAL TOLERANCES ON LENGTHS 0.5 - 6 ± 0.1mm 6 - 30 ± 0.2mm 30 - 120 ± 0.3mm 120 - 400 ± 0.5mm 400 - 1000 ± 0.8mm 1000 - 2000 ± 1.2mm 2000 - 4000 ± 2.0mm
--

ALBERT JAGGER LTD
 GREEN LANE
 WALSALL PHONE: 01922 471000
 WEST MIDLANDS FAX: 01922 648021
 WS2 8HG

THIS DRAWING & THE DESIGN SHOWN
 ARE THE PROPERTY OF ALBERT JAGGER LTD
 AND MUST NOT BE USED OR COPIED BY A
 THIRD PARTY WITHOUT PERMISSION

DRAWN BY
S.R

CHECKED BY
C.H



SCALE
1 : 2

MATERIAL
SEE TABLE

MASS
0.308 kg

FINISH
SEE TABLE

Date
13/09/2021

ALL DIMS IN MM
UNLESS STATED
DO NOT SCALE

A3



TELESCOPIC LID SUPPORT STAYS

2522/001

Edition 1	Sheet 1 / 1
--------------	----------------