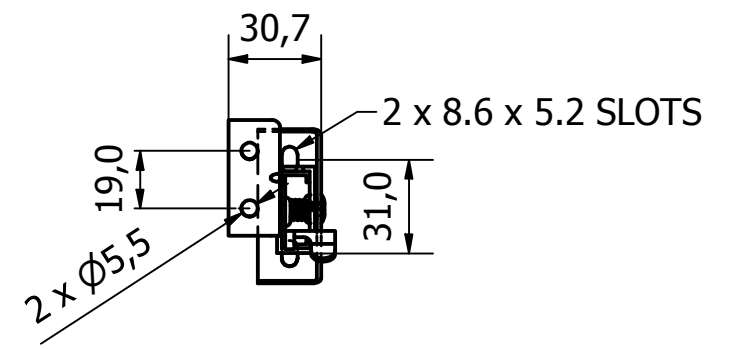
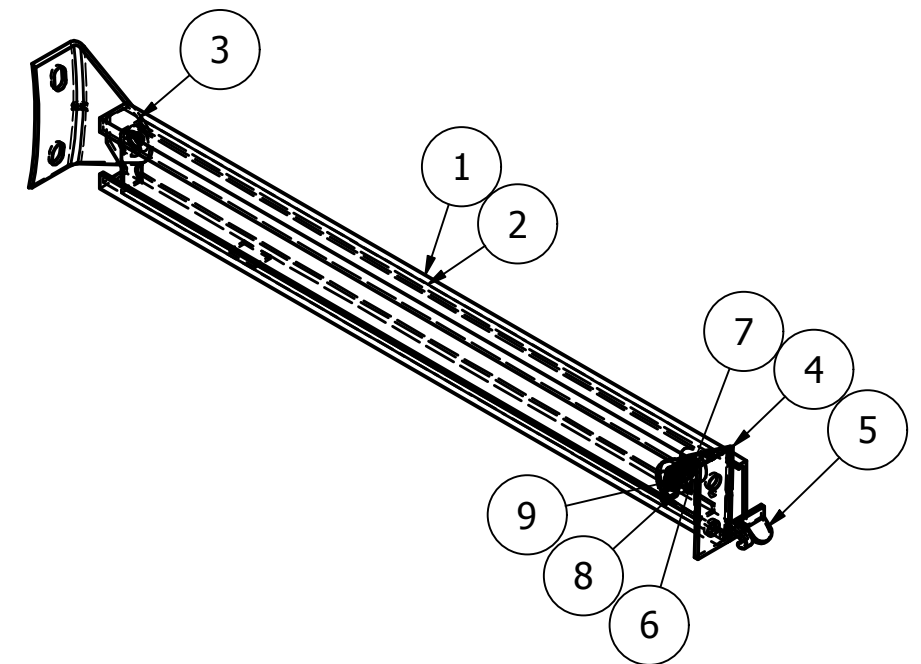


PARTS LIST			
ITEM	QTY	PART NUMBER	DESCRIPTION
1	1	2522-008-1	ZIC PLATED STEEL RATCHET LEVER
2	1	2522-008-2	ZINC PLATED STEEL EXTENSION MECHANISM
3	1	2522-008-3	ZINC PLATED STEEL END TAB
4	1	2522-008-4	ZINC PLATED STEEL END TAB
5	1	2522-008-5	ZINC PLATED STEEL EXTENSION LOCK
6	1	2522-008-6	ZINC PLATED STEEL SPRING SUPPORTER
7	1	2522-008-7	STEEL SPRING
8	2	2522-008-8	STEEL RIVET
9	2	2522-008-9	STEEL RIVET



NOTE:
TELESCOPIC SUPPORTS STAY VARIES IN LENGTH FROM 320MM - 540MM.

GENERAL TOLERANCES ON LENGTHS	
0.5 - 6 ± 0.1mm	
6 - 30 ± 0.2mm	
30 - 120 ± 0.3mm	
120 - 400 ± 0.5mm	
400 - 1000 ± 0.8mm	
1000 - 2000 ± 1.2mm	
2000 - 4000 ± 2.0mm	

ALBERT JAGGER LTD
GREEN LANE
WALSALL PHONE: 01922 471000
WEST MIDLANDS FAX: 01922 648021
WS2 8HG

THIS DRAWING & THE DESIGN SHOWN ARE THE PROPERTY OF ALBERT JAGGER LTD AND MUST NOT BE USED OR COPIED BY A THIRD PARTY WITHOUT PERMISSION

DRAWN BY
A.S

CHECKED BY
A.P



SCALE
1 : 2.5

MATERIAL
SEE DRAWING

MASS
0.374 kg

FINISH
SEE DRAWING

Date
06/03/2019

ALL DIMS IN MM UNLESS STATED DO NOT SCALE

A3



1		VALIDATION COMPLETE	16/04/19	A.P
REV		DESCRIPTION	DATE	APPROVED
		TELESCOPIC LID SUPPORT STAYS - 320/550MM		
2522-008			Edition 1	Sheet 1 / 1