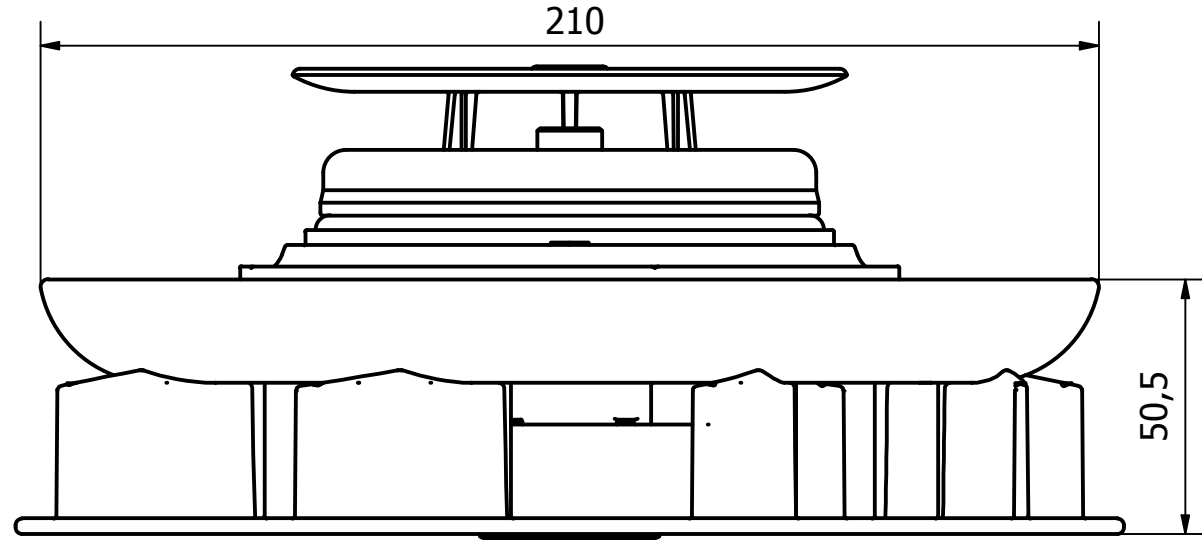
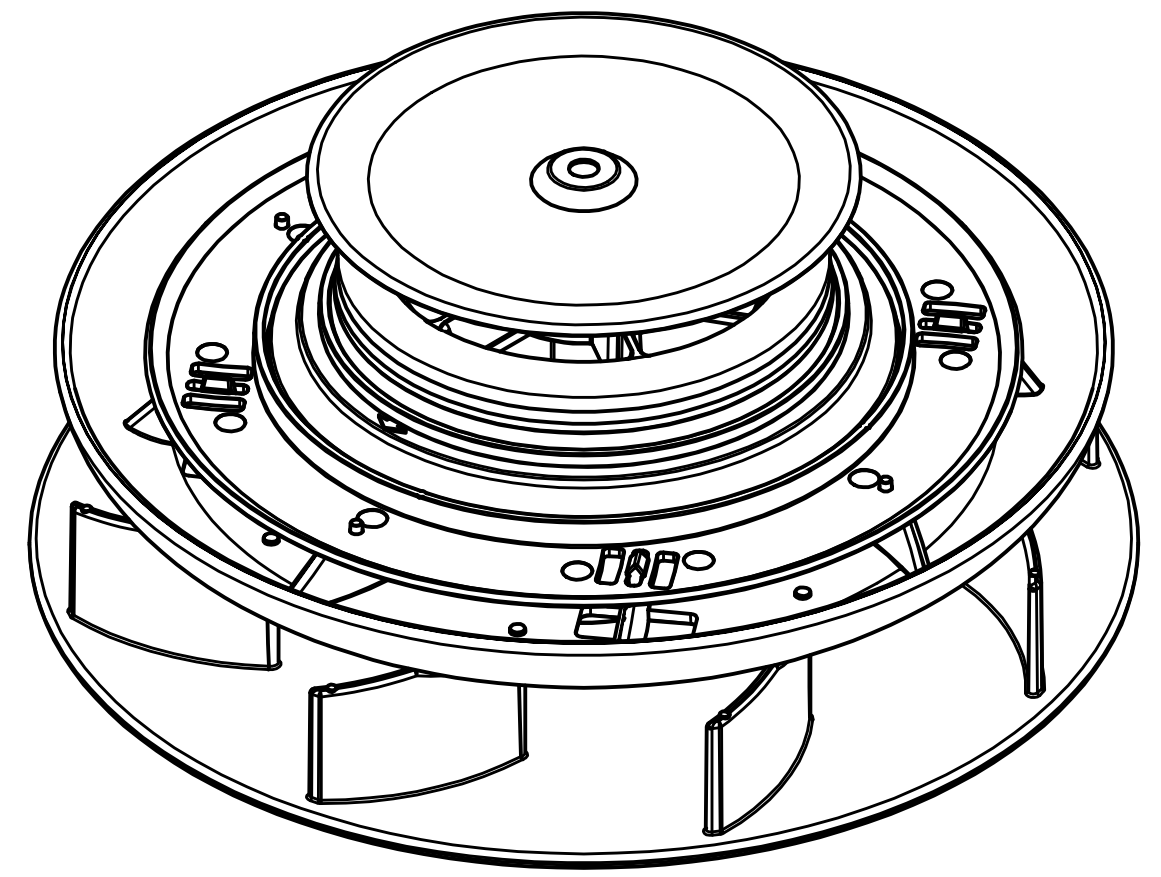


220,0

210

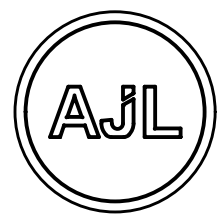


50,5



ABS CONSTRUCTION  
 304 STAINLESS STEEL SPINDLE & BEARINGS  
 INTEGRAL NEOPRENE SEALING GASKET  
 SUITS ROOF THICKNESSES 1-17mm  
 UTILISE 2527/0011 ADAPTOR UNIT FOR DOUBLE SKINNED ROOF

PART No.	COLOUR
2527/111	BLACK
2527/222	WHITE



VIEW A



GENERAL TOLERANCES ON LENGTHS

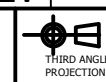
0.5 - 6 ± 0.1mm
6 - 30 ± 0.2mm
30 - 120 ± 0.3mm
120 - 400 ± 0.5mm
400 - 1000 ± 0.8mm
1000 - 2000 ± 1.2mm
2000 - 4000 ± 2.0mm

ALBERT JAGGER LTD  
 GREEN LANE  
 WALSALL PHONE: 01922 471000  
 WEST MIDLANDS FAX: 01922 648021  
 WS2 8HG

THIS DRAWING & THE DESIGN SHOWN ARE THE PROPERTY OF ALBERT JAGGER LTD AND MUST NOT BE USED OR COPIED BY A THIRD PARTY WITHOUT PERMISSION

DRAWN BY  
U.F

CHECKED BY  
A.P



SCALE  
1:1.5

MATERIAL  
SEE NOTE

MASS  
0.535 kg

FINISH  
SEE TABLE

Date  
02/02/2018

ALL DIMS IN MM UNLESS STATED DO NOT SCALE

A3

1	VALIDATION COMPLETE	10/01/19	A.P
REV	DESCRIPTION	DATE	APPROVED



CENTAFLOW ROTARY VENTILATOR

2527-111

Edition  
1

Sheet  
1 / 2