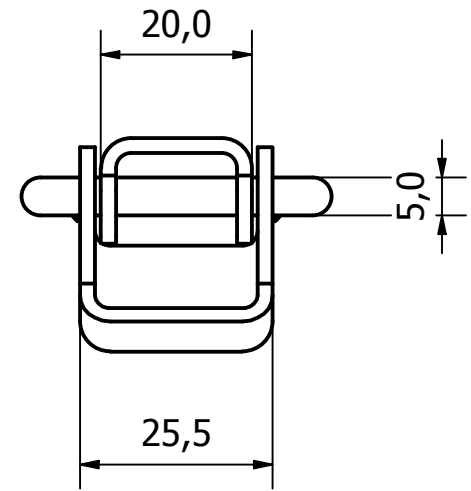
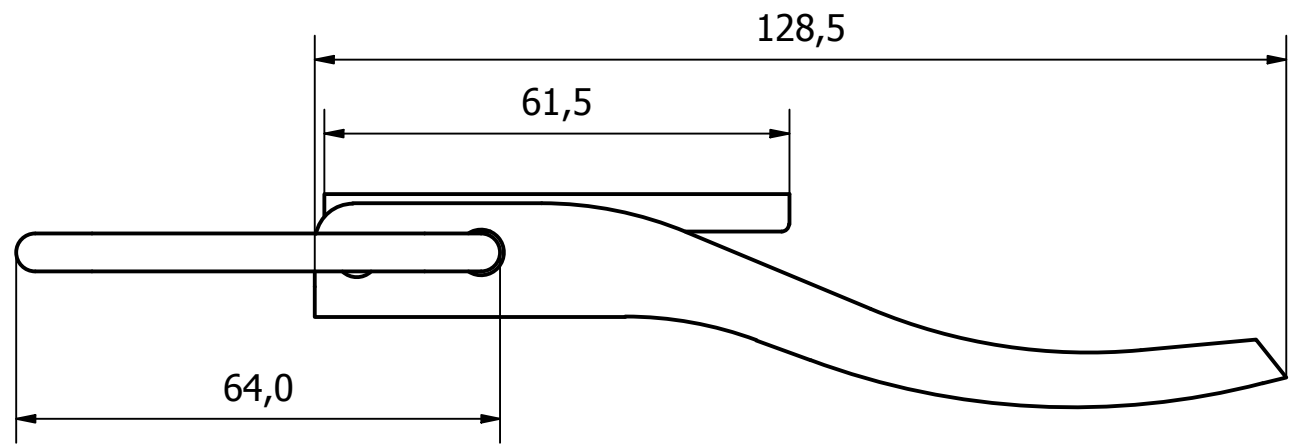
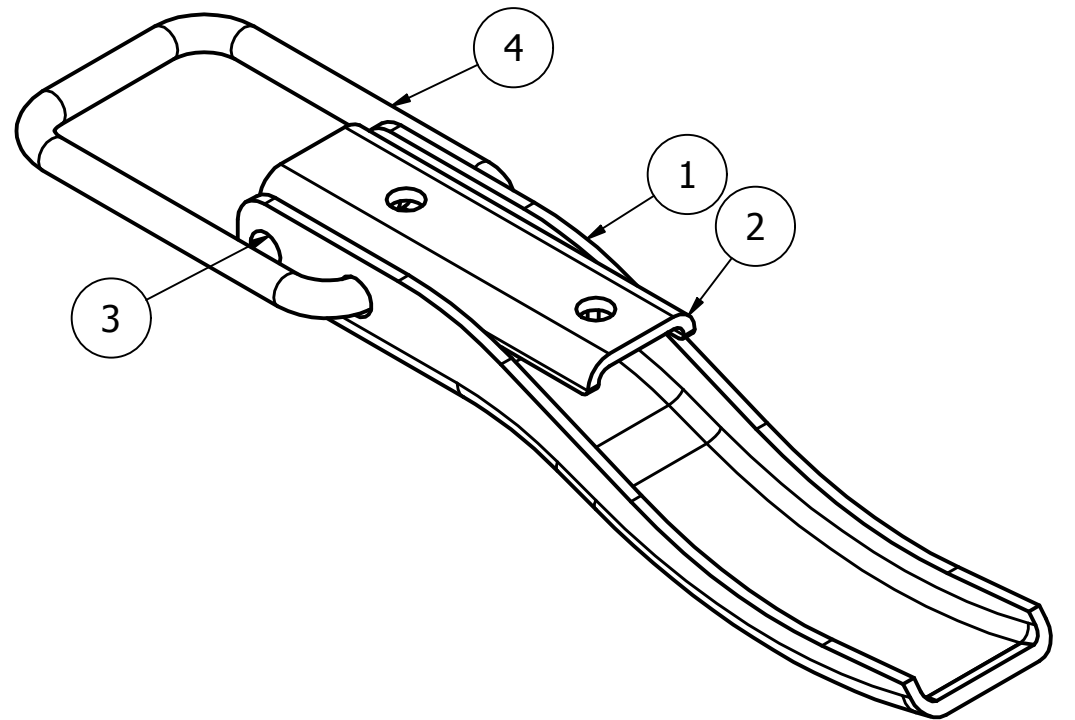
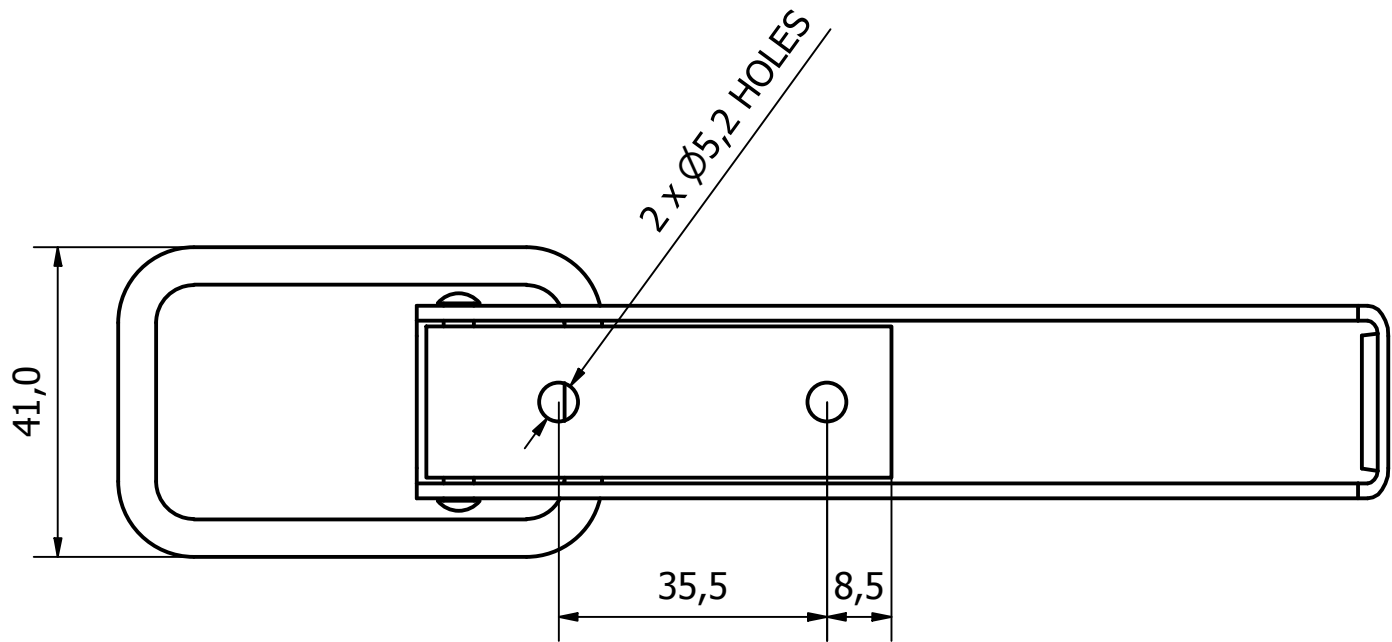


PARTS LIST			
ITEM	QTY	PART NUMBER	DESCRIPTION
1	1	2665-002-1	FASTENER MAIN BODY
2	1	2665-002-2	OVERCENTRE FASTENER MOUNTING TAB
3	1	2665-002-3	FASTENER RIVET
4	1	2665-002-4	FASTENER RING



NOTE:
FOR USE WITH 2665/003 & 2665/004 HOOKS

GENERAL TOLERANCES ON LENGTHS
0.5 - 6 ± 0.1mm
6 - 30 ± 0.2mm
30 - 120 ± 0.3mm
120 - 400 ± 0.5mm
400 - 1000 ± 0.8mm
1000 - 2000 ± 1.2mm
2000 - 4000 ± 2.0mm

ALBERT JAGGER LTD
GREEN LANE
WALSALL PHONE: 01922 471000
WEST MIDLANDS FAX: 01922 648021
WS2 8HG

THIS DRAWING & THE DESIGN SHOWN ARE THE PROPERTY OF ALBERT JAGGER LTD AND MUST NOT BE USED OR COPIED BY A THIRD PARTY WITHOUT PERMISSION

DRAWN BY
U.F

CHECKED BY
A.P



SCALE
1 : 1

MATERIAL
M/STEEL

MASS
0.139 kg

FINISH
P/C
BLACK

Date
09/04/2019

ALL DIMS IN MM
UNLESS STATED
DO NOT SCALE

A3



NON LOCKING OVER CENTRE FASTENER - BLACK

2665-002

Edition
1

Sheet
1 / 1