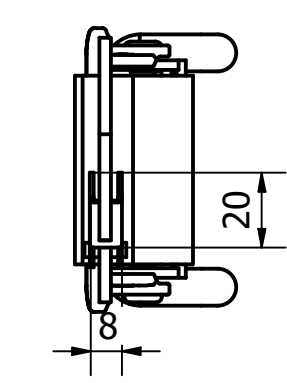
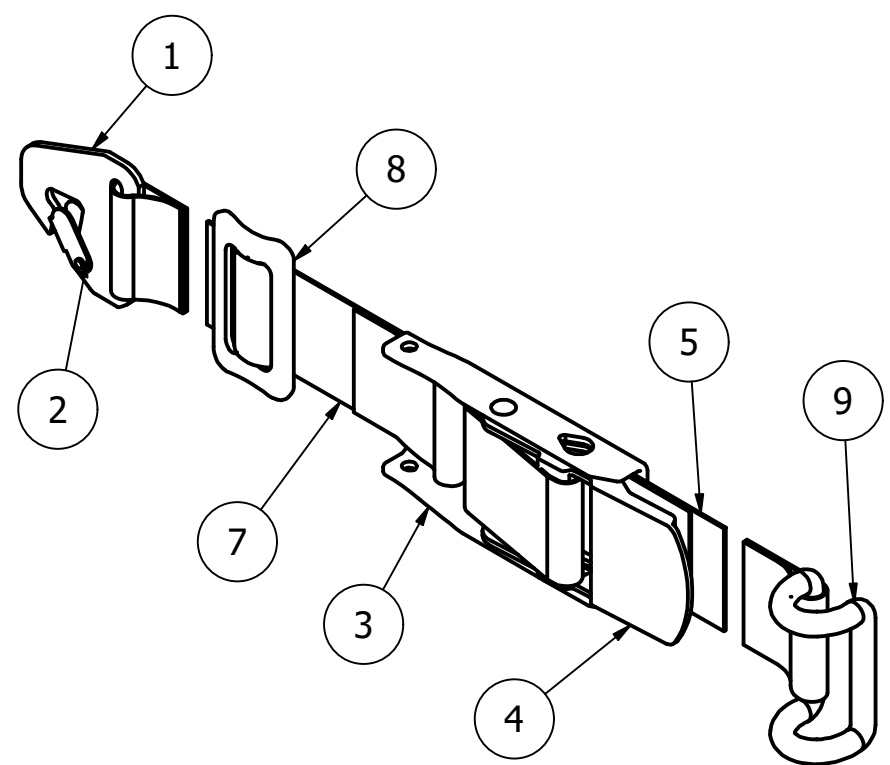
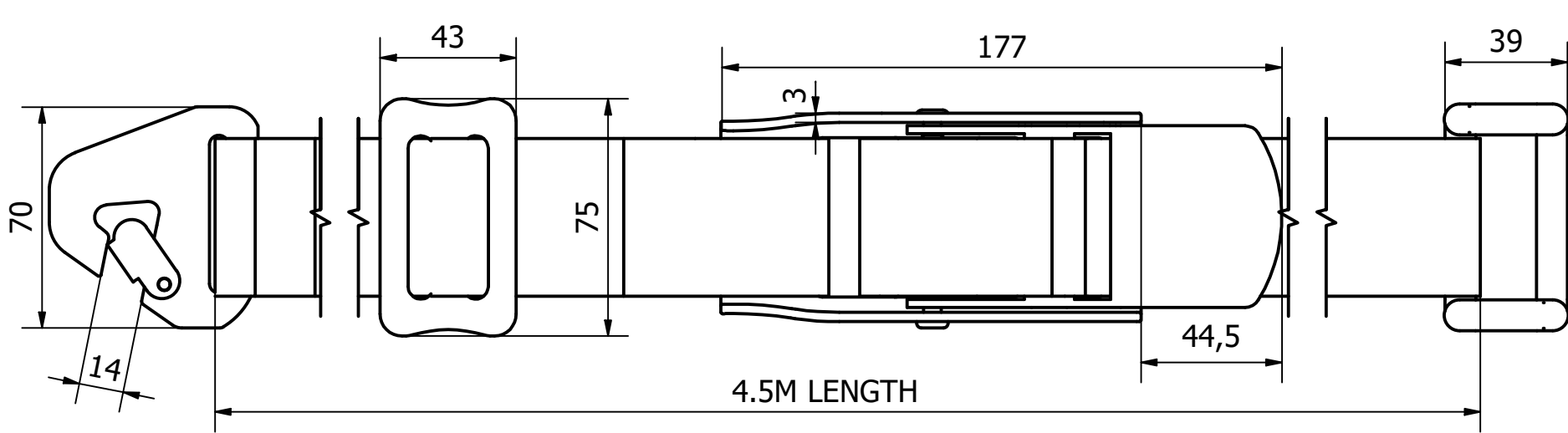
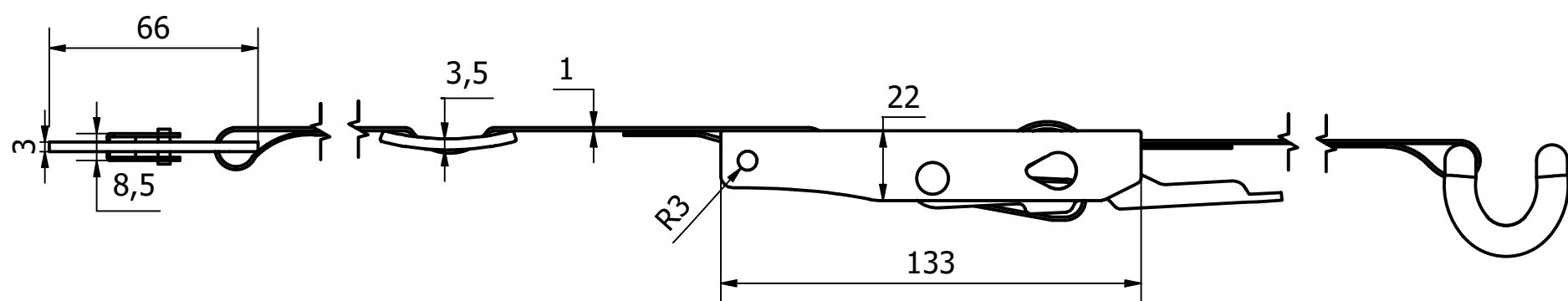


PARTS LIST			
ITEM	QTY	PART NUMBER	DESCRIPTION
1	1	3000-5441-3	M/STEEL - SNAP HOOK- Z/C PASSIVATE
2	1	3000-5441-4	M/STEEL- SNAP HOOK LATCH- Z/C PASSIVATE
3	1	3000-5441-5	M/STEEL- BUCKLE BODY- Z/C PASSIVATE
4	1	3000-5441-6	M/STEEL- BUCKLE HANDLE- Z/C PASSIVATE
5	1	3000-5441-2	POLYPROPYLENE WEBBED STRAP- BLACK
7	1	3000-5441-7	POLYPROPYLENE WEBBED STRAP- BLACK
8	1	3000-5441-8	M/STEEL- STRAP ADJUSTER- Z/C PASSIVATE
9	1	3000-5441-1	M/STEEL- RAVE HOOK- Z/C PASSIVATE



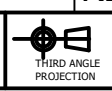
NOTE:
 LASHING CAPACITY LC - 3500N
 MINIMUM BREAKING FORCE 7000N
 WEB TYPE: POLYPROPYLENE
 MANUFACTURED IN ACCORDANCE WITH: BS EN12195-2: 2001
 (NOT TO BE USED FOR LIFTING)

GENERAL TOLERANCES ON LENGTHS
0.5 - 6 ± 0.1mm
6 - 30 ± 0.2mm
30 - 120 ± 0.3mm
120 - 400 ± 0.5mm
400 - 1000 ± 0.8mm
1000 - 2000 ± 1.2mm
2000 - 4000 ± 2.0mm

ALBERT JAGGER LTD
 GREEN LANE
 WALSALL WEST MIDLANDS WS2 8HG
 PHONE: 01922 471000
 FAX: 01922 648021
 THIS DRAWING & THE DESIGN SHOWN ARE THE PROPERTY OF ALBERT JAGGER LTD AND MUST NOT BE USED OR COPIED BY A THIRD PARTY WITHOUT PERMISSION

DRAWN BY
S.R

CHECKED BY
C.H



SCALE
1:2

MATERIAL
SEE TABLE

MASS
0.574 kg

FINISH
SEE TABLE

Date
23/02/2022

ALL DIMS IN MM UNLESS STATED DO NOT SCALE

A3



1		VALIDATION COMPLETE	01/03/2022	C.H
REV	DESCRIPTION	DATE	APPROVED	
	LIGHT DUTY INTERNAL CURTAINSIDE STRAP			
	3000-5441	Edition 1	Sheet 1 / 1	