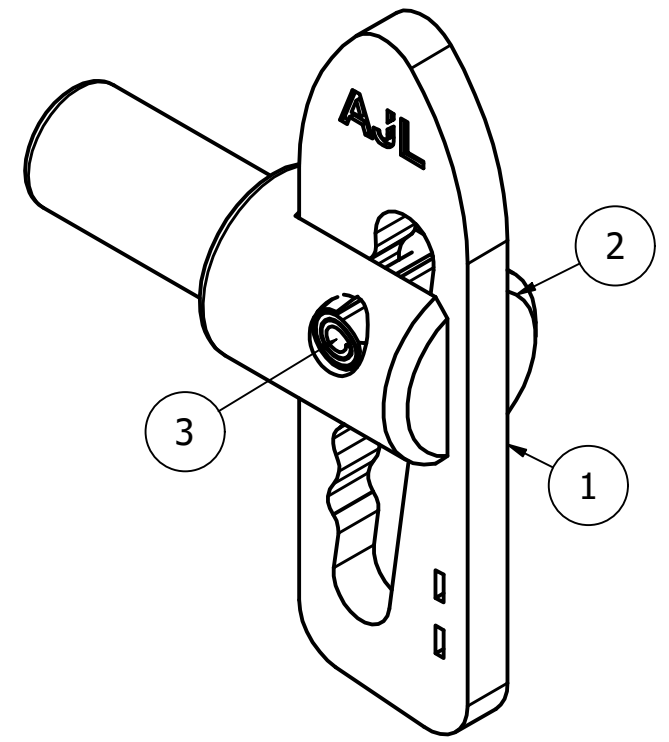
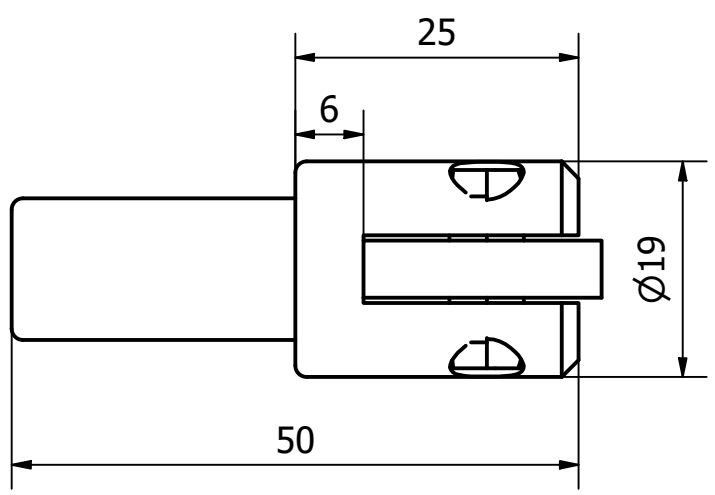


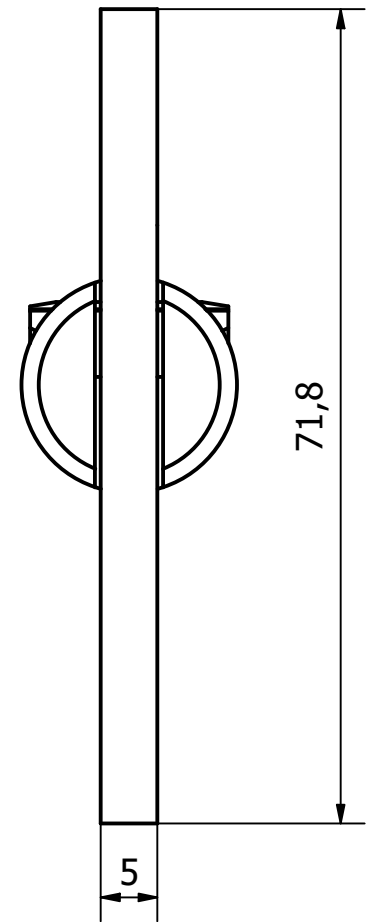
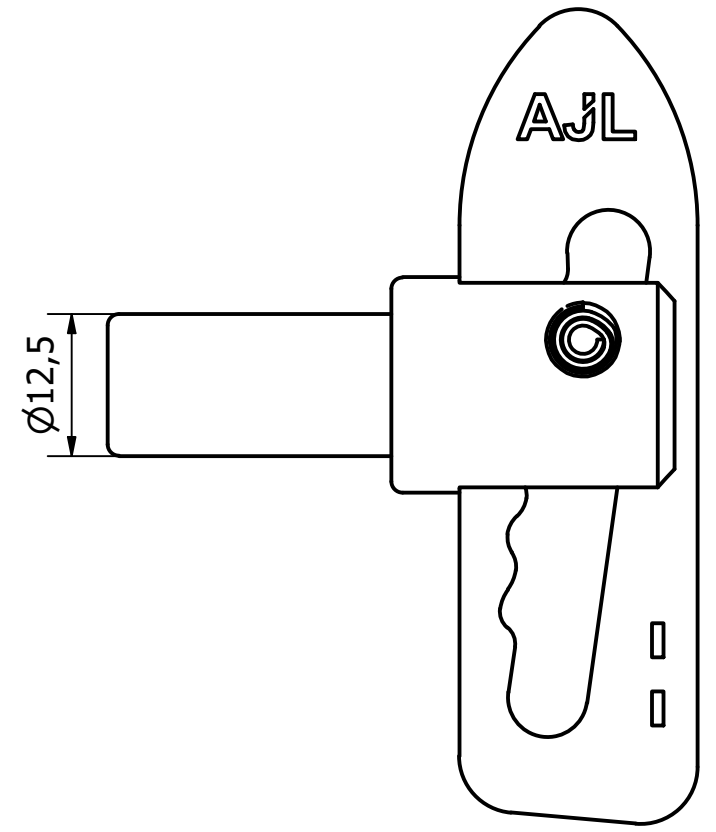
6 1 5 1 4 3 1 2 1 1

PARTS LIST			
ITEM	QTY	PART NUMBER	DESCRIPTION
1	1	3330319	LARGE A/L COTTER - M/STEEL
2	1	3261-001 BOSS	WELD ON BOSS - 50 O/A 12.5 SHANK
3	1	3330233	ANTILUCE SPIRAL PIN - STD

D



C



B

REV	DESCRIPTION	DATE	APPROVED
2	DESIGN UPDATED	07/03/22	K.M
1	VALIDATION COMPLETE	05/07/17	A.P

A

NOTE  
FINISH: ZINC PLATED TO 8 MICRONS THICK WITH J500 TOP COAT

GENERAL TOLERANCES ON LENGTHS	
0.5 - 6 ± 0.1mm	
6 - 30 ± 0.2mm	
30 - 120 ± 0.3mm	
120 - 400 ± 0.5mm	
400 - 1000 ± 0.8mm	
1000 - 2000 ± 1.2mm	
2000 - 4000 ± 2.0mm	

ALBERT JAGGER LTD  
GREEN LANE  
WALSALL PHONE: 01922 471000  
WEST MIDLANDS FAX: 01922 648021  
WS2 8HG

THIS DRAWING & THE DESIGN SHOWN ARE THE PROPERTY OF ALBERT JAGGER LTD AND MUST NOT BE USED OR COPIED BY A THIRD PARTY WITHOUT PERMISSION

DRAWN BY  
U.F

CHECKED BY  
A.P



SCALE  
1.5:1

MATERIAL  
M/STEEL

MASS  
0.104 kg

FINISH  
SEE NOTE

Date  
13/04/2017

ALL DIMS IN MM UNLESS STATED DO NOT SCALE

A3



M/STEEL ANTILUCE™ FASTENER - WELD ON  
3261-001

Edition 2	Sheet 1 / 1
--------------	----------------

6 1 5 1 4 3 1 2 1 1