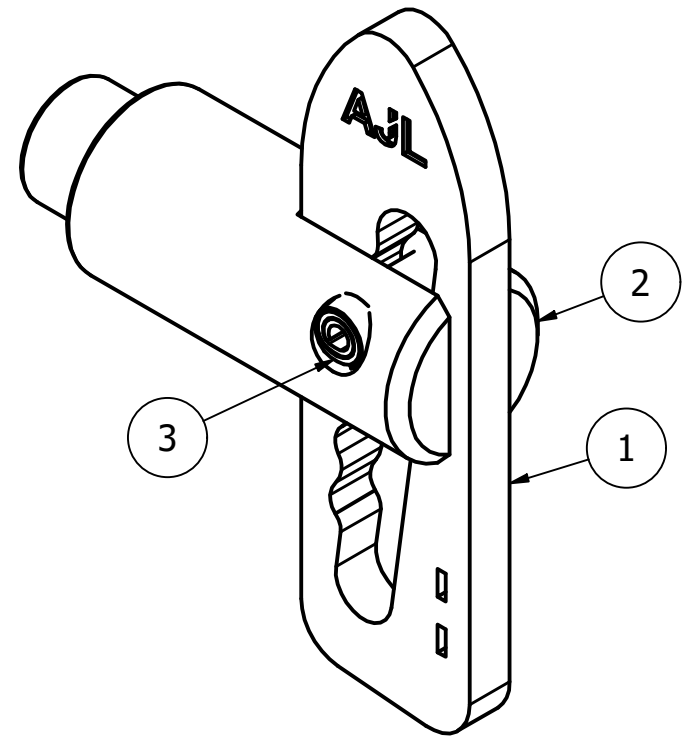
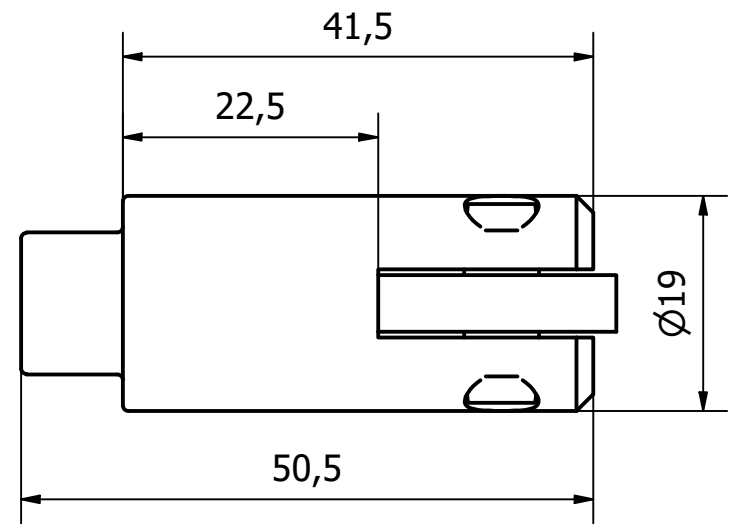


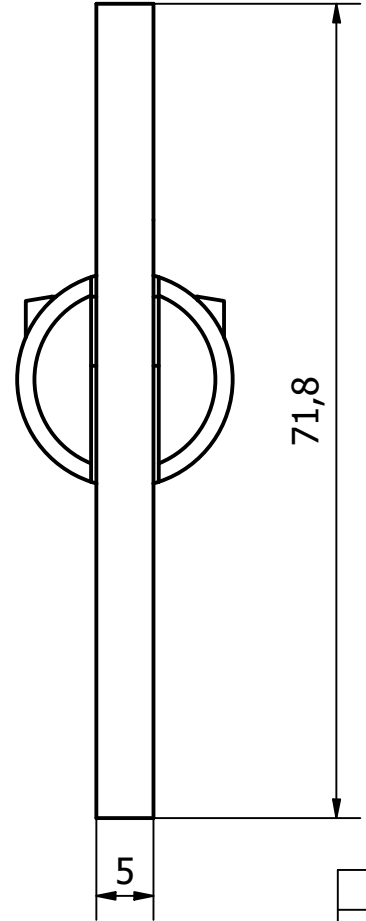
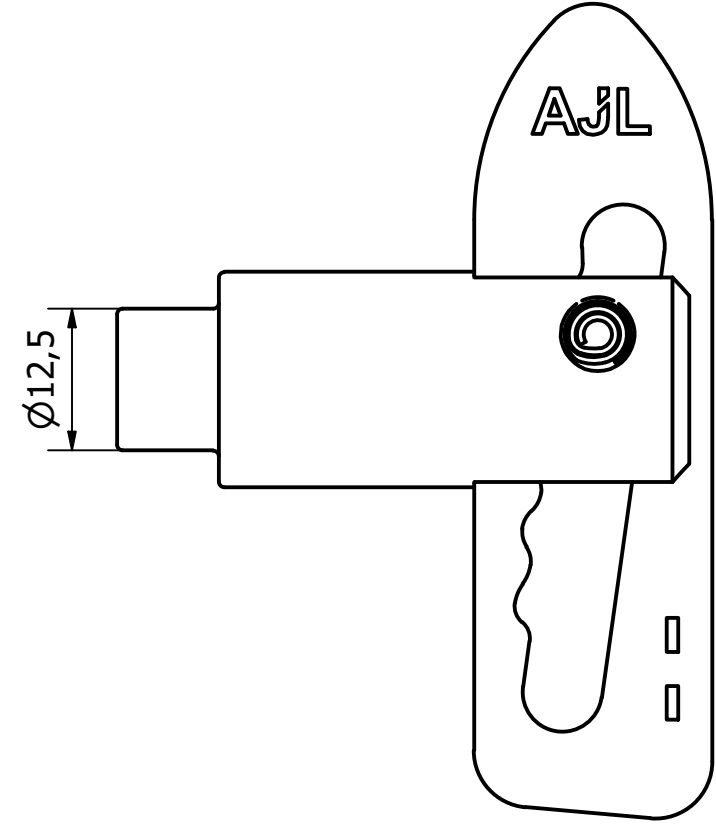
6 5 4 3 2 1

PARTS LIST			
ITEM	QTY	PART NUMBER	DESCRIPTION
1	1	3330319	LARGE A/L COTTER - M/STEEL
2	1	3265-001 BOSS	M/STEEL A/L WELD ON BOSS
3	1	3330233	ANTILUCE SPIRAL PIN - STD

D



C



B

B

REV	DESCRIPTION	DATE	APPROVED
2	DESIGN UPDATE	07/03/22	K.M
1	VALIDATION COMPLETE	05/07/17	A.P

A

A

NOTE
FINISH: ZINC PLATED TO 8 MICRONS THICK WITH J500 CLEAR TOP COAT

GENERAL TOLERANCES ON LENGTHS	
0.5 - 6	± 0.1mm
6 - 30	± 0.2mm
30 - 120	± 0.3mm
120 - 400	± 0.5mm
400 - 1000	± 0.8mm
1000 - 2000	± 1.2mm
2000 - 4000	± 2.0mm

ALBERT JAGGER LTD
GREEN LANE
WALSALL PHONE: 01922 471000
WEST MIDLANDS FAX: 01922 648021
WS2 8HG

THIS DRAWING & THE DESIGN SHOWN ARE THE PROPERTY OF ALBERT JAGGER LTD AND MUST NOT BE USED OR COPIED BY A THIRD PARTY WITHOUT PERMISSION

DRAWN BY
U.F

CHECKED BY
A.P



SCALE
1.5:1

MATERIAL
M/STEEL

MASS
0.125 kg

FINISH
SEE NOTE

Date
13/04/2017

ALL DIMS IN MM UNLESS STATED DO NOT SCALE

A3



M/STEEL ANTILUCE™ FASTENER - WELD ON

3265-001

Edition
2

Sheet
1 / 1

6 5 4 3 2 1