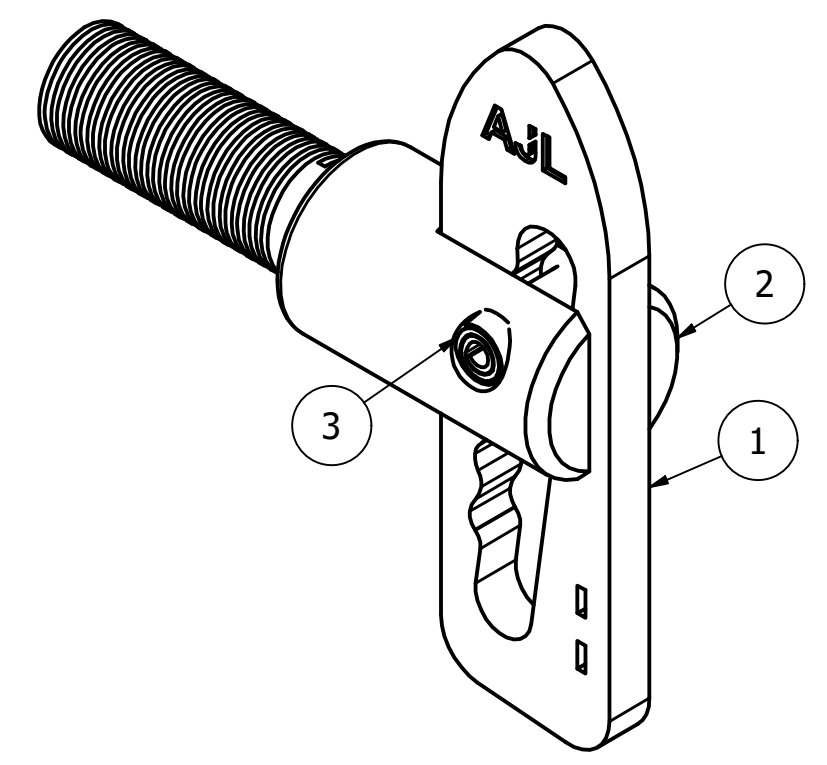
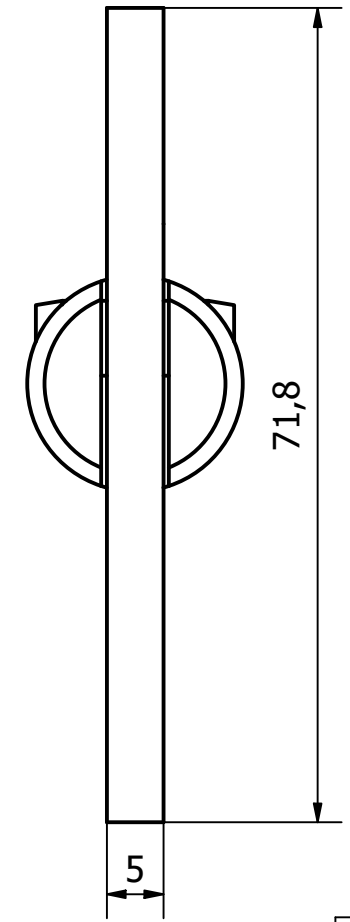
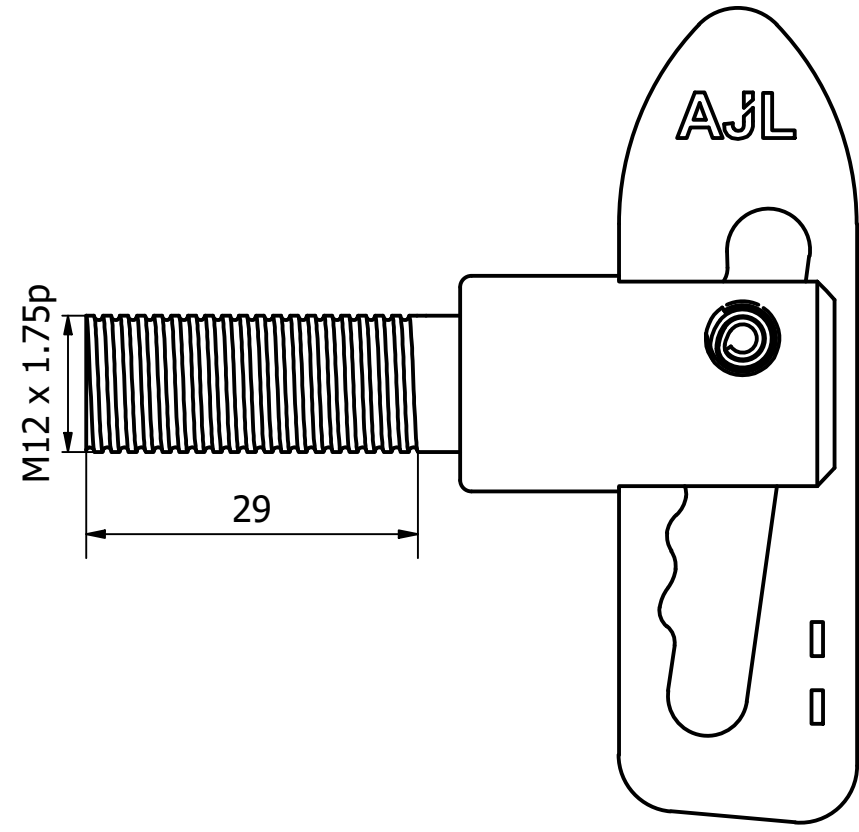


PARTS LIST			
ITEM	QTY	PART NUMBER	DESCRIPTION
1	1	3330319	LARGE A/L COTTER - M/STEEL
2	1	3289-001 BOSS	M/STEEL A/L BOSS - M12 THREAD
3	1	3330233	ANTILUCE SPIRAL PIN - STD



REV	DESCRIPTION	DATE	APPROVED
5	DESIGN UPDATED	08/03/22	K.M
4	RE-DRAWN IN CAD	02/03/17	A.P

NOTE
FINISH: ZINC PLATED TO 8 MICRONS THICK WITH J500 CLEAR TOP COAT

GENERAL TOLERANCES ON LENGTHS	
0.5 - 6	± 0.1mm
6 - 30	± 0.2mm
30 - 120	± 0.3mm
120 - 400	± 0.5mm
400 - 1000	± 0.8mm
1000 - 1200	± 1.2mm
2000 - 4000	± 2.0mm

ALBERT JAGGER LTD
GREEN LANE
WALSALL PHONE: 01922 471000
WEST MIDLANDS FAX: 01922 648021
WS2 8HG

THIS DRAWING & THE DESIGN SHOWN ARE THE PROPERTY OF ALBERT JAGGER LTD AND MUST NOT BE USED OR COPIED BY A THIRD PARTY WITHOUT PERMISSION

DRAWN BY U.F	CHECKED BY A.P	THIRD ANGLE PROJECTION	SCALE 1.5:1	MATERIAL M/STEEL	MASS 0.125 kg	FINISH SEE NOTE	Date 02/03/2017	ALL DIMS IN MM UNLESS STATED DO NOT SCALE	A3
							BOLT ON M12 ANTILUCE™ 33MM SHANK C/W 30MM THREAD		
3289-001							Edition 5	Sheet 1 / 1	