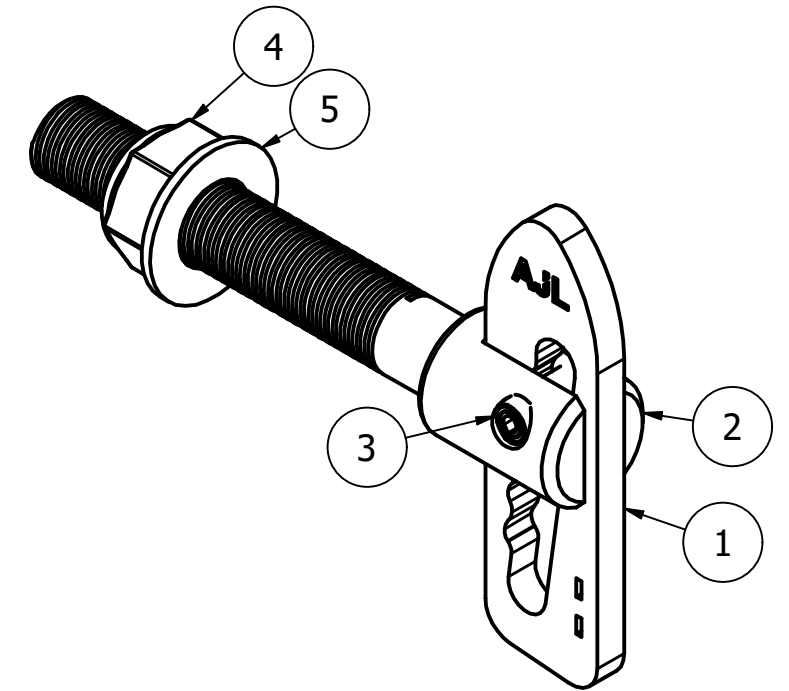


PARTS LIST			
ITEM	QTY	PART NUMBER	DESCRIPTION
1	1	3330319	LARGE A/L COTTER - M/STEEL
2	1	3325-001 BOSS	M/STEEL A/L BOSS - M12 THREAD
3	1	3330233	ANTILUCE SPIRAL PIN - STD
4	1	15CW12100	M/STEEL M12 NYLOC NUT
5	1	BW1051	M/STEEL M12 WASHER



NOTE  
FINISH: ZINC PLATED TO 8 MICRONS THICK WITH J500 CLEAR TOP COAT

GENERAL TOLERANCES ON LENGTHS
0.5 - 6 ± 0.1mm
6 - 30 ± 0.2mm
30 - 120 ± 0.3mm
120 - 400 ± 0.5mm
400 - 1000 ± 0.8mm
1000 - 2000 ± 1.2mm
2000 - 4000 ± 2.0mm

ALBERT JAGGER LTD  
GREEN LANE  
WALSALL PHONE: 01922 471000  
WEST MIDLANDS FAX: 01922 648021  
WS2 8HG

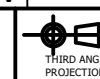
THIS DRAWING & THE DESIGN SHOWN ARE THE PROPERTY OF ALBERT JAGGER LTD AND MUST NOT BE USED OR COPIED BY A THIRD PARTY WITHOUT PERMISSION

DRAWN BY

U.F

CHECKED BY

A.P



SCALE  
1 : 1

MATERIAL  
M/STEEL

MASS  
0.164 kg

FINISH  
SEE NOTE

Date  
12/04/2017

ALL DIMS IN MM UNLESS STATED DO NOT SCALE

A3



BOLT ON M12 ANTILUCE™ 75.5MM SHANK C/W 65MM THREAD

3325-001

Edition  
2

Sheet  
1 / 1