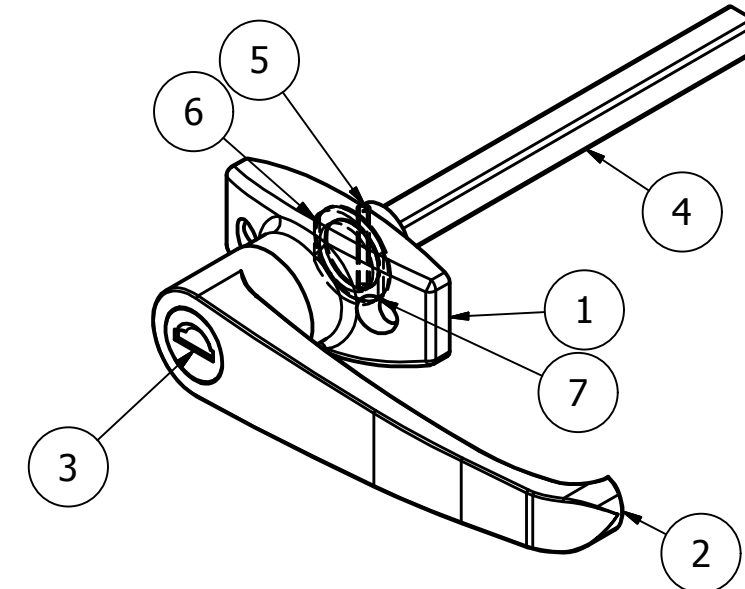
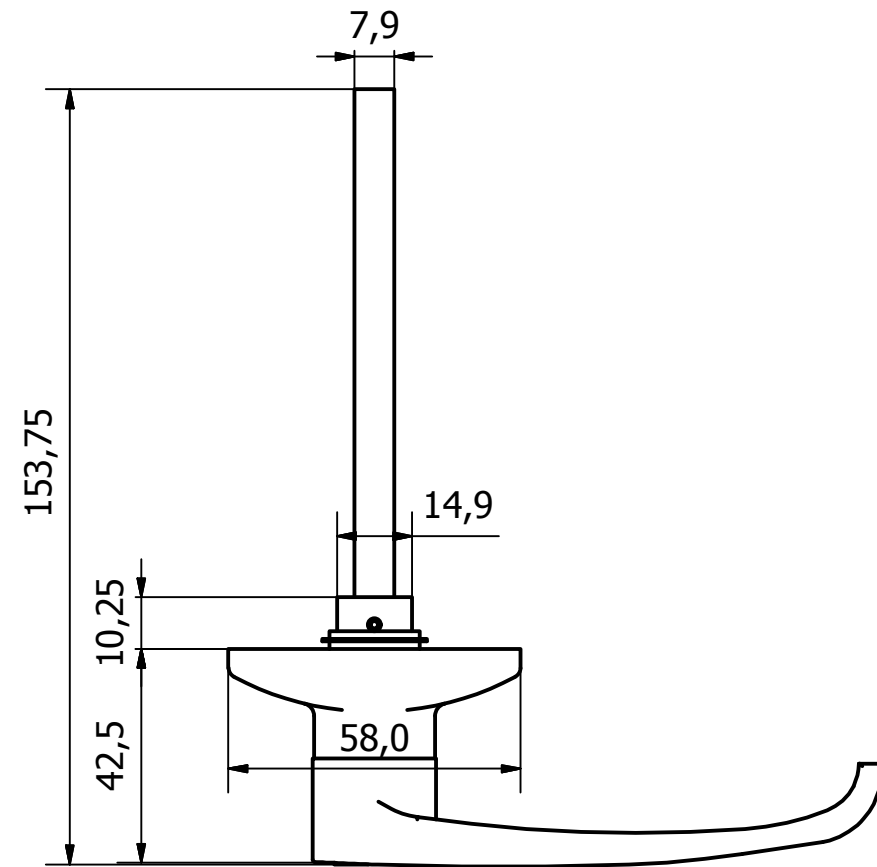
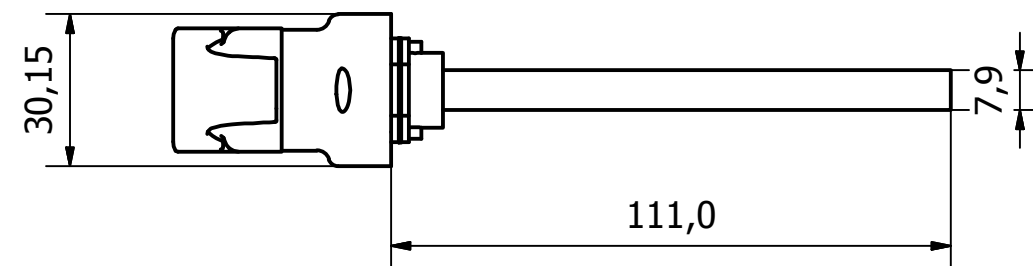
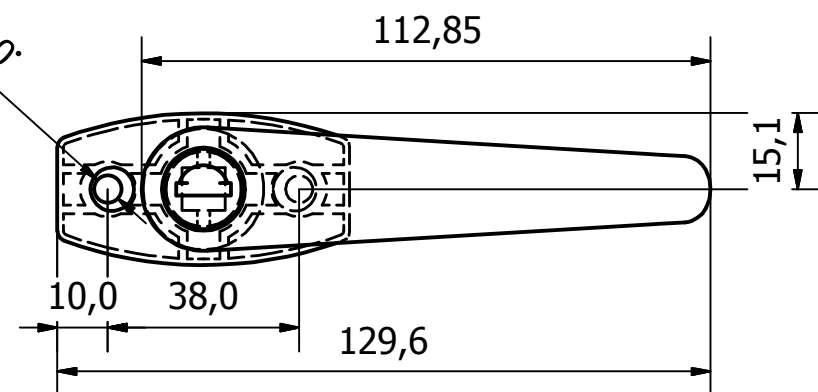


PARTS LIST			
ITEM	QTY	PART NUMBER	DESCRIPTION
1	1	4222-303-1	ZINC DIECAST HANDLE MOUNTING BODY - CHROME POLISHED
2	1	4222-303-2	ZINC DIECAST LEVER - CHROME POLISHED
3	1	4222-303-3	M/STEEL LOCK BARREL - Z/C PASSIVATE
4	1	4222-303-4	M/STEEL SQUARE LEVER CONNECTING BARREL - Z/C PASSIVATE
5	1	4222-303-5	S/STEEL RETAINING PIN - NATURAL
6	2	4222-303-6	M/STEEL 20.6mm DIA WASHER 17.9MM A/F - Z/C PASSIVATE
7	1	4222-303-7	M/STEEL 20.8mm DIA WAVEY WASHER - CHEMICALLY BLACKENED



2 x Ø10,0 HOLES
5.4 @ 90°



PART No.	FINISH	KEYED
4222/101	CHROME PLATED	NON
4222/202	CHROME PLATED	RANDOM
4222/302	CHROME PLATED	ALIKE

NOTE:
360° ROTATION, NO STOPS AND NOT SPRING LOADED. MATCHING 'T' HANDLE - 5224

GENERAL TOLERANCES ON LENGTHS
0.5 - 6 ± 0.1mm
6 - 30 ± 0.2mm
30 - 120 ± 0.3mm
120 - 400 ± 0.5mm
400 - 1000 ± 0.8mm
1000 - 2000 ± 1.2mm
2000 - 4000 ± 2.0mm

ALBERT JAGGER LTD
GREEN LANE
WALSALL PHONE: 01922 471000
WEST MIDLANDS FAX: 01922 648021
WS2 8HG

THIS DRAWING & THE DESIGN SHOWN ARE THE PROPERTY OF ALBERT JAGGER LTD AND MUST NOT BE USED OR COPIED BY A THIRD PARTY WITHOUT PERMISSION

DRAWN BY
U.F

CHECKED BY
A.P



SCALE
1:1.5

MATERIAL
SEE TABLE

MASS
0.241 kg

FINISH
SEE TABLE

Date
07/08/2017

ALL DIMS IN MM UNLESS STATED DO NOT SCALE

A3

1	VALIDATION COMPLETE	08/08/17	A.P
REV	DESCRIPTION	DATE	APPROVED



1.5" LOCKING HANDLE KEY 64001

4222-303

Edition
1

Sheet
1 / 1