

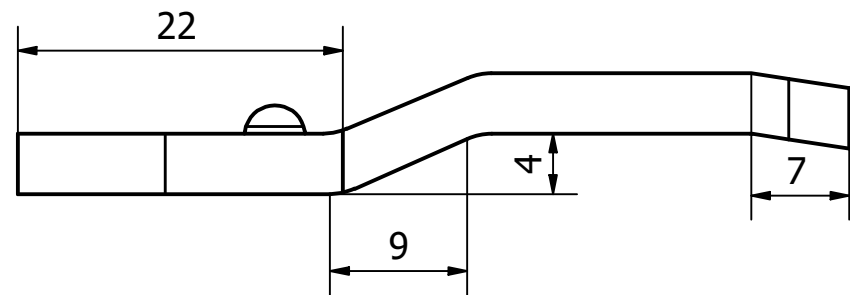
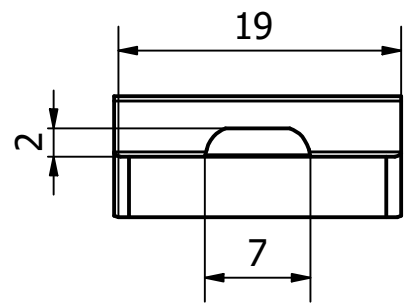
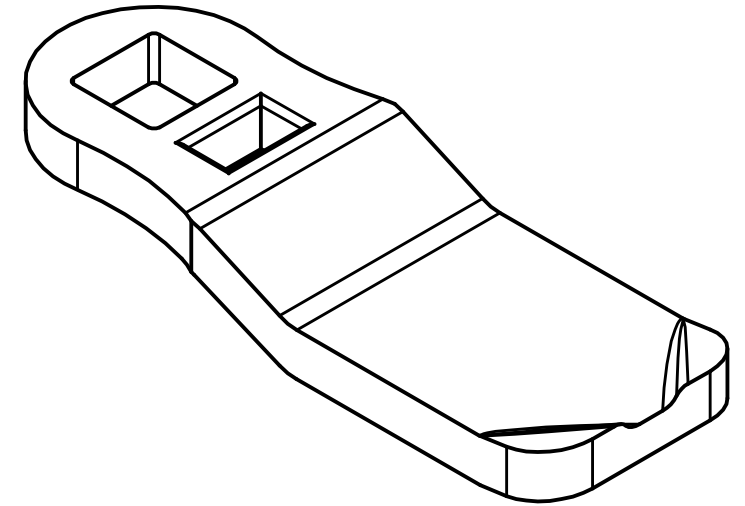
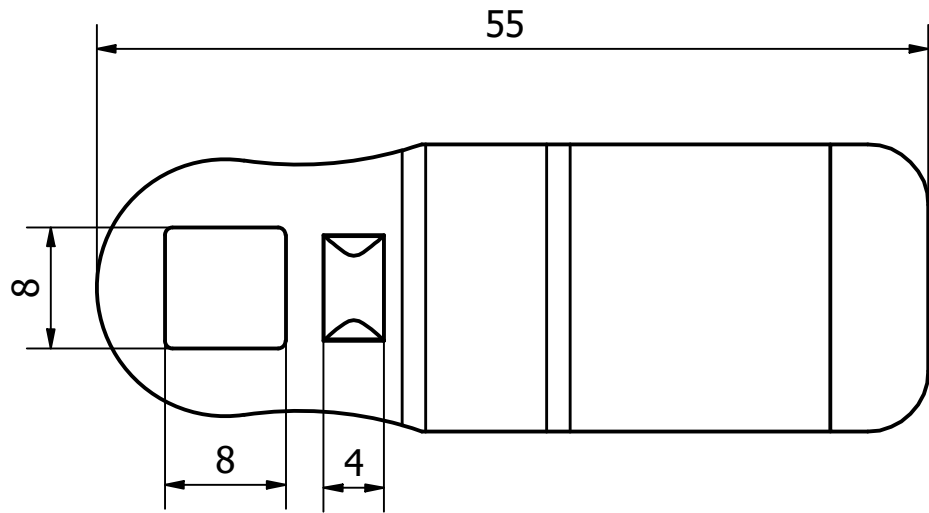
6 1 5 1 4 3 1 2 1 1

D D

C C

B B

A A



1	VALIDATION COMPLETE	27/10/21	C.H
REV	DESCRIPTION	DATE	APPROVED

GENERAL TOLERANCES ON LENGTHS	
0.5 - 6 ± 0.1mm	
6 - 30 ± 0.2mm	
30 - 120 ± 0.3mm	
120 - 400 ± 0.5mm	
400 - 1000 ± 0.8mm	
1000 - 2000 ± 1.2mm	
2000 - 4000 ± 2.0mm	

ALBERT JAGGER LTD
 GREEN LANE
 WALSALL PHONE: 01922 471000
 WEST MIDLANDS FAX: 01922 648021
 WS2 8HG

THIS DRAWING & THE DESIGN SHOWN ARE THE PROPERTY OF ALBERT JAGGER LTD AND MUST NOT BE USED OR COPIED BY A THIRD PARTY WITHOUT PERMISSION

DRAWN BY: S.R
 CHECKED BY: C.H

THIRD ANGLE PROJECTION

SCALE: 2:1

MATERIAL: M/STEEL

MASS: 0.028 kg

FINISH: ZINC PLATED

Date: 12/10/2021

ALL DIMS IN MM UNLESS STATED DO NOT SCALE

albert Jagger

MINUS QUARTER TURN CAMS

5000-004

Edition: 1
 Sheet: 1 / 1

6 1 5 1 4 3 1 2 1 1