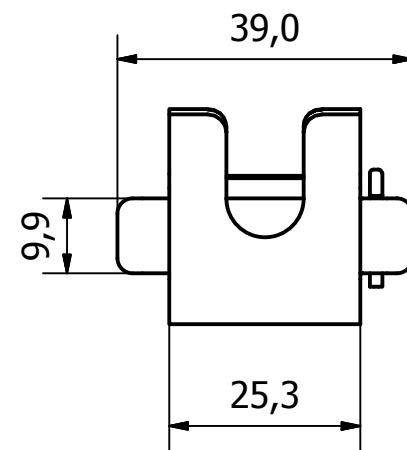
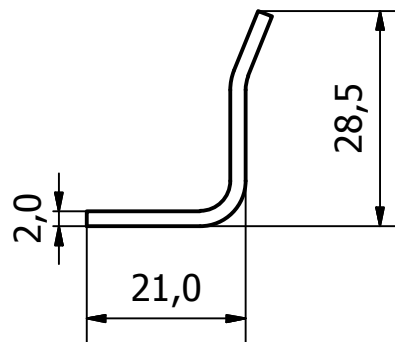
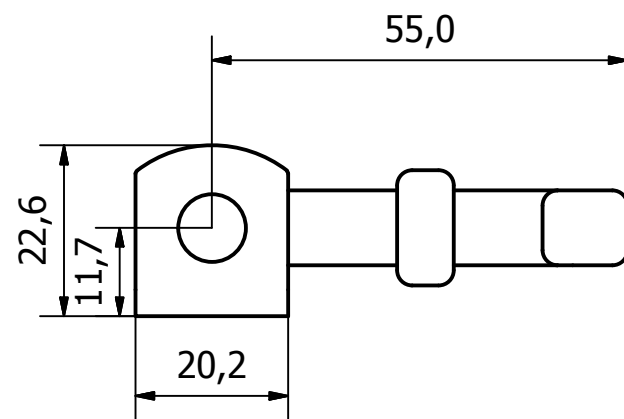
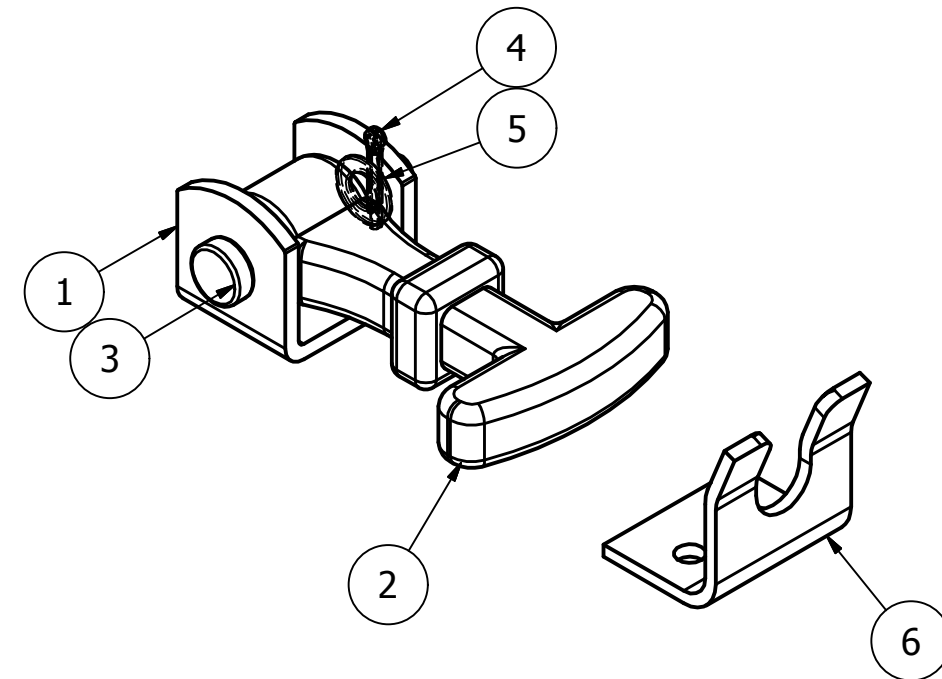
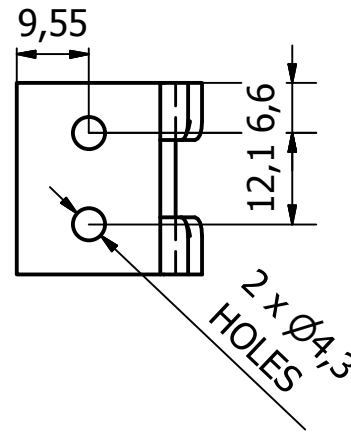
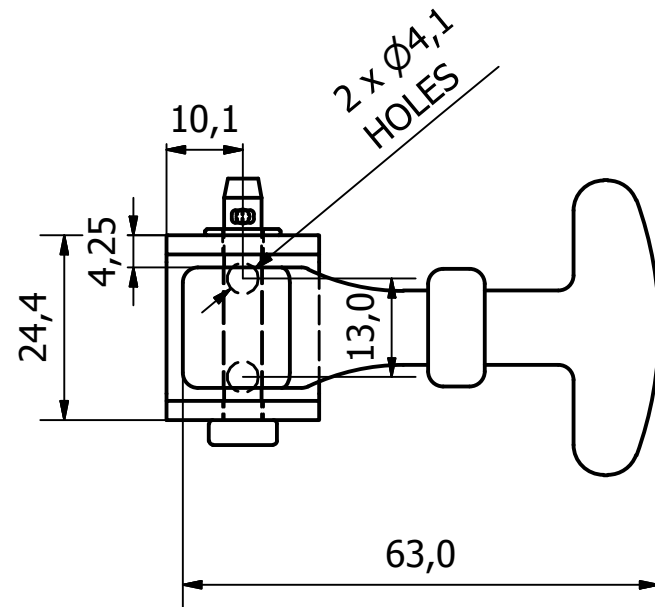


PARTS LIST			
ITEM	QTY	PART NUMBER	DESCRIPTION
1	1	5301-001-1	M/STEEL Z/C PASSIVATED HOOK SECURING BRACKET
2	1	5301-001-2	BLACK RUBBER HOOK
3	1	5301-001-3	M/STEEL Z/C PASSIVATED MOUNTING PIN
4	1	5301-001-4	M/STEEL Z/C PASSIVATED SECURING PIN
5	1	5301-001-5	M/STEEL Z/C PASSIVATED PIN WASHER
6	1	5301-001-6	M/STEEL Z/C PASSIVATED HOOK BRACKET



PART No.	MATERIAL	FINISH
5301/001	M/STEEL	Z/C PASSIVATED
5301/003	S/STEEL	NATURAL

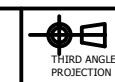
GENERAL TOLERANCES ON LENGTHS
0.5 - 6 ± 0.1mm
6 - 30 ± 0.2mm
30 - 120 ± 0.3mm
120 - 400 ± 0.5mm
400 - 1000 ± 0.8mm
1000 - 2000 ± 1.2mm
2000 - 4000 ± 2.0mm

ALBERT JAGGER LTD
 GREEN LANE
 WALSALL PHONE: 01922 471000
 WEST MIDLANDS FAX: 01922 648021
 WS2 8HG

THIS DRAWING & THE DESIGN SHOWN ARE THE PROPERTY OF ALBERT JAGGER LTD AND MUST NOT BE USED OR COPIED BY A THIRD PARTY WITHOUT PERMISSION

DRAWN BY
U.F

CHECKED BY
A.P



SCALE
1 : 1

MATERIAL
SEE TABLE

MASS
0.055 kg

FINISH
SEE TABLE

Date
25/09/2017

ALL DIMS IN MM UNLESS STATED DO NOT SCALE

A3

1	VALIDATION COMPLETE	26/09/17	A.P
REV	DESCRIPTION	DATE	APPROVED



RUBBER RETAINER C/W BRACKET AND HOOK	
5301-001	Edition 1 / Sheet 1 / 1