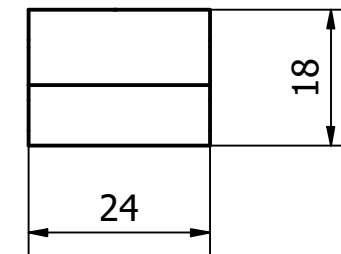
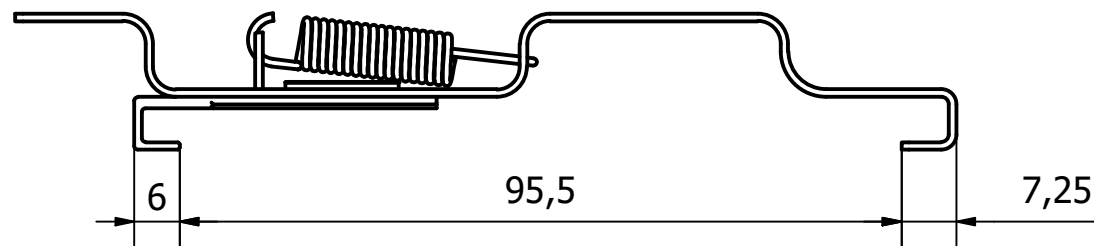
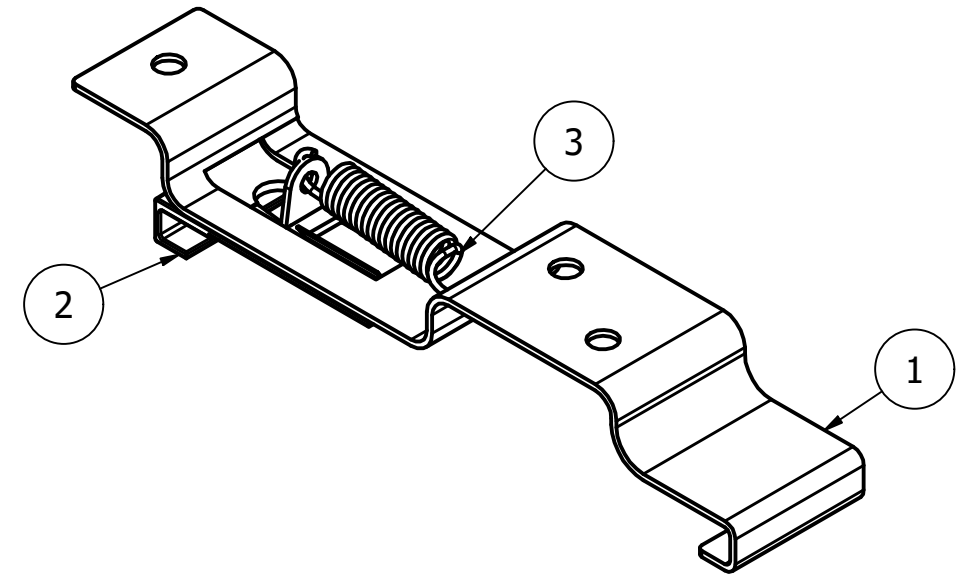
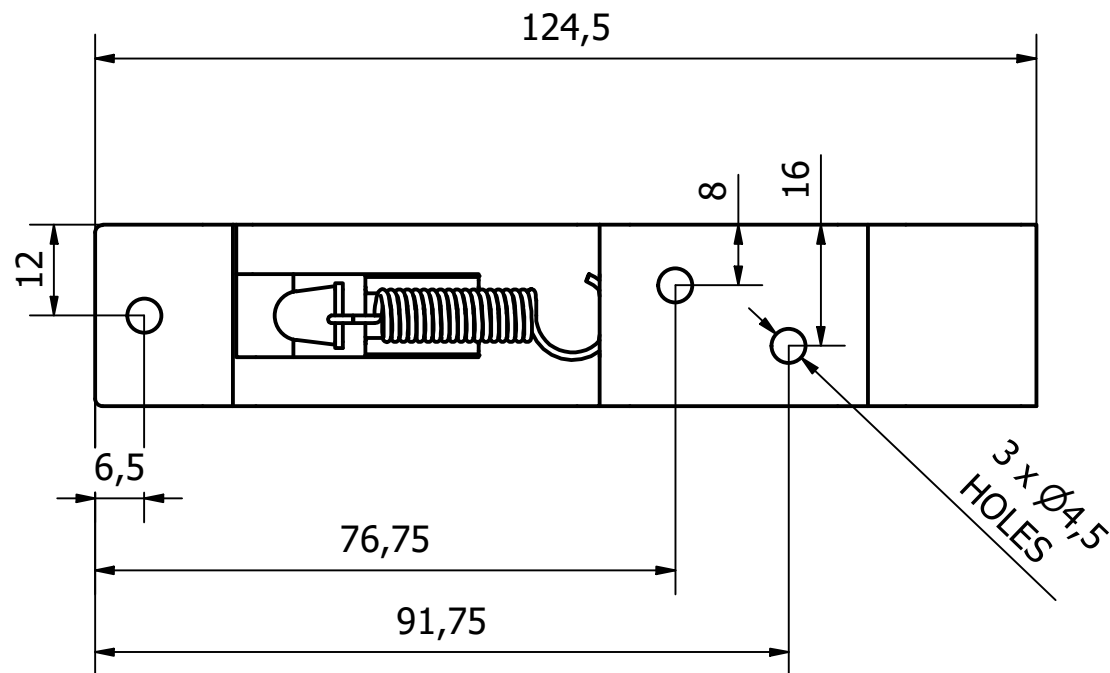


PARTS LIST			
ITEM	QTY	PART NUMBER	DESCRIPTION
1	1	5339-004-2	S/STEEL BODY HOLDER
2	1	5339-004-1	S/STEEL SRPING CLIP
3	1	5339-004-4	S/STEEL HOOKED COIL SPRING



NOTE:  
TO SUIT 110mm PLATES  
SUPPLIED IN SINGLES

GENERAL TOLERANCES ON LENGTHS
0.5 - 6 ± 0.1mm
6 - 30 ± 0.2mm
30 - 120 ± 0.3mm
120 - 400 ± 0.5mm
400 - 1000 ± 0.8mm
1000 - 2000 ± 1.2mm
2000 - 4000 ± 2.0mm

ALBERT JAGGER LTD  
GREEN LANE  
WALSALL PHONE: 01922 471000  
WEST MIDLANDS FAX: 01922 648021  
WS2 8HG

THIS DRAWING & THE DESIGN SHOWN  
ARE THE PROPERTY OF ALBERT JAGGER LTD  
AND MUST NOT BE USED OR COPIED BY A  
THIRD PARTY WITHOUT PERMISSION

DRAWN BY  
K.M

CHECKED BY  
A.P



SCALE  
1 : 1

MATERIAL  
S/STEEL - 304

MASS  
0.040 kg

FINISH  
NATURAL

Date  
07/06/2021

ALL DIMS IN MM  
UNLESS STATED  
DO NOT SCALE

A3



S/STEEL NUMBER PLATE HOLDER  
5339-004

Edition 1	Sheet 1 / 1
--------------	----------------

1	VALIDATION COMPLETE	09/06/21	U.F
REV	DESCRIPTION	DATE	APPROVED