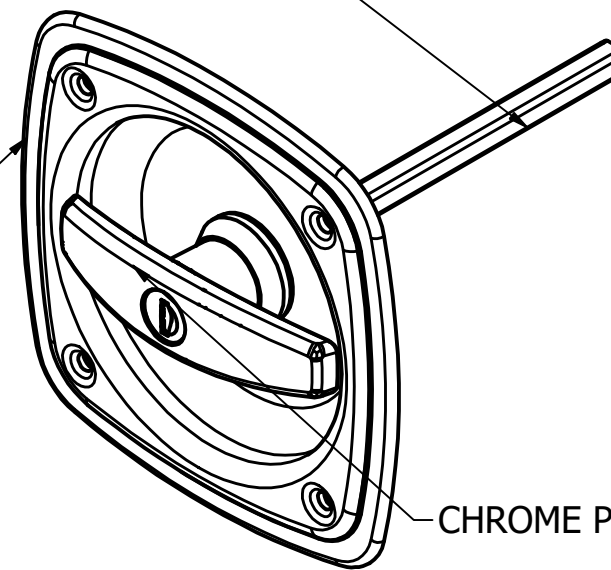
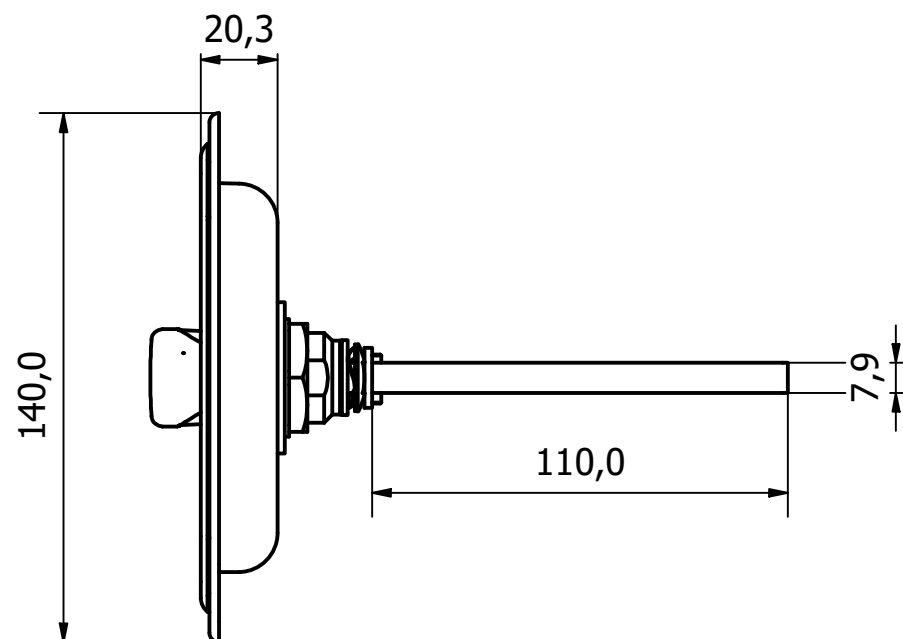
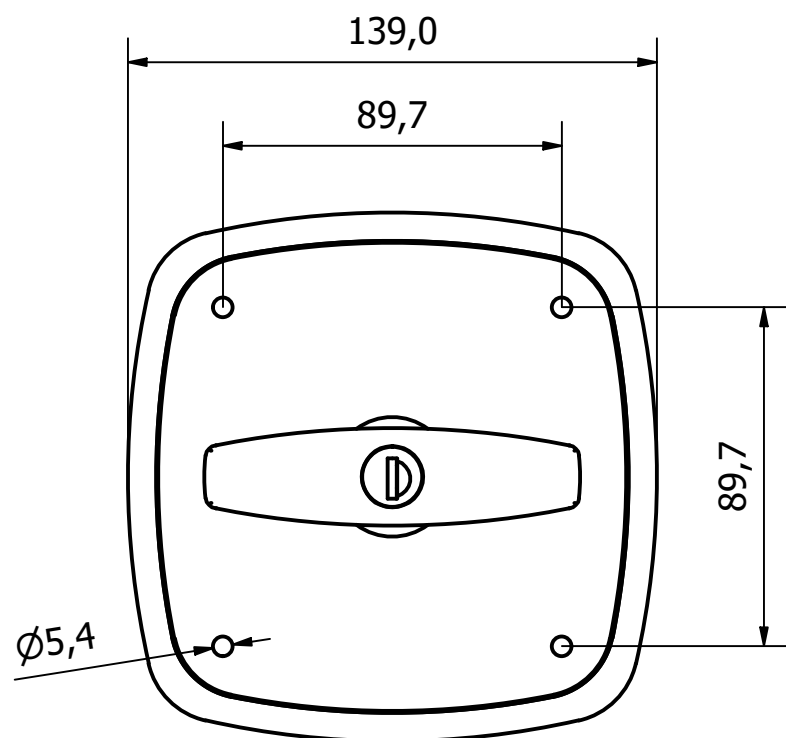


ZINC PLATED M/STEEL SQUARE DRIVE

BLACK POWDER COATED STEEL DISH



CHROME PLATED ZINC DIE-CAST HANDLE



1	VALIDATION COMPLETE	20/05/19	A.P
REV	DESCRIPTION	DATE	APPROVED

GENERAL TOLERANCES ON LENGTHS

0.5 - 6 ± 0.1mm
6 - 30 ± 0.2mm
30 - 120 ± 0.3mm
120 - 400 ± 0.5mm
400 - 1000 ± 0.8mm
1000 - 2000 ± 1.2mm
2000 - 4000 ± 2.0mm

ALBERT JAGGER LTD
 GREEN LANE
 WALSALL PHONE: 01922 471000
 WEST MIDLANDS FAX: 01922 648021
 WS2 8HG

THIS DRAWING & THE DESIGN SHOWN ARE THE PROPERTY OF ALBERT JAGGER LTD AND MUST NOT BE USED OR COPIED BY A THIRD PARTY WITHOUT PERMISSION

DRAWN BY
A.S

CHECKED BY
A.P



SCALE
1 : 2

MATERIAL
SEE DRAWING

MASS
0.000 kg

FINISH
SEE DRAWING

Date
08/02/2019

ALL DIMS IN MM UNLESS STATED DO NOT SCALE

A3



BLACK RECESSED T HANDLE - KEYED

5589-378

Edition 1	Sheet 1 / 1
--------------	----------------