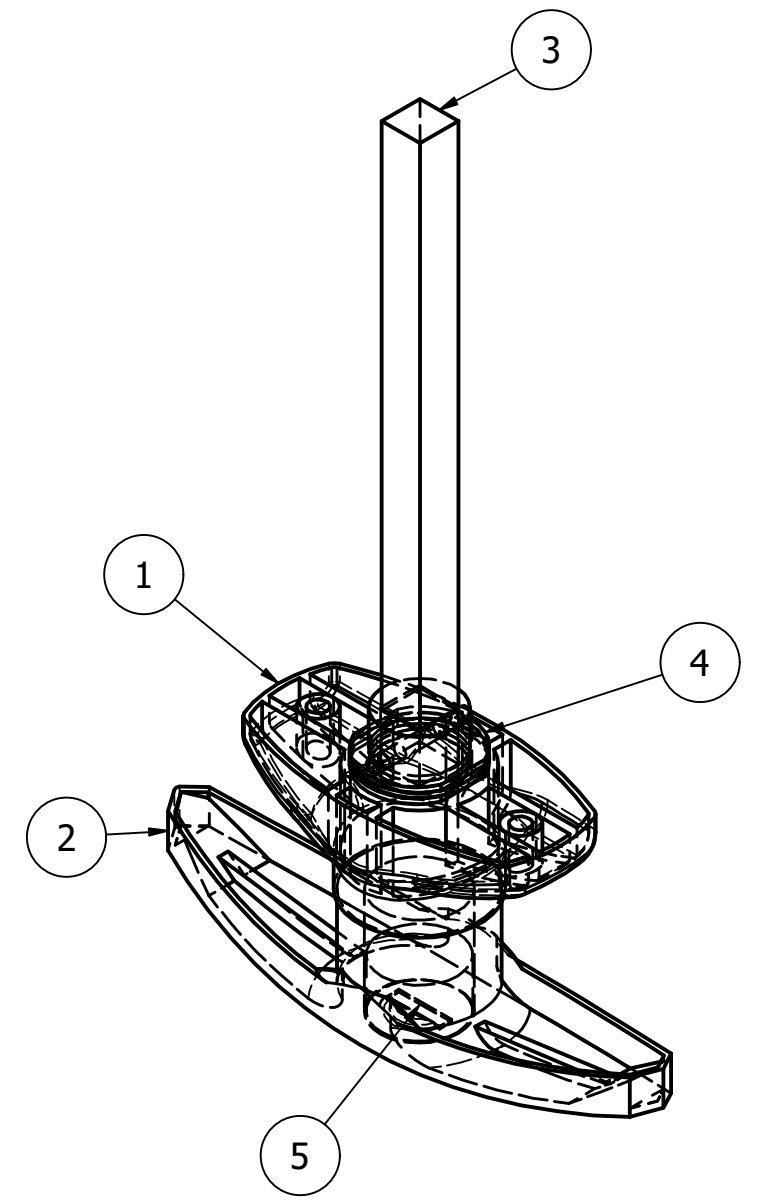


PARTS LIST				
ITEM	QTY	PART NUMBER	DESCRIPTION	
1	1	6224-001-2	M/STEEL- CONCEALED FIXING- BODY- CHROME PLATED	
2	1	6224-001-1	M/STEEL- TEE HANDLE- CHROME PLATED	
3	1	6224-001-3	M/STEEL - HANDLE SPINDLE - Z/C PASSIVATED	
4	1	6224-001-4	M/STEEL- WASHER - Z/C PASSIVATED	
5	1	6224-001-5	M/STEEL- LOCK BARREL -CHROME PLATED	



REV	DESCRIPTION	DATE	APPROVED
2	FINISH UPDATED	30/09/22	U.F
1	VALIDATION COMPLETE	21/01/22	C.H

GENERAL TOLERANCES ON LENGTHS

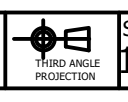
0.5 - 6 ± 0.1mm
6 - 30 ± 0.2mm
30 - 120 ± 0.3mm
120 - 400 ± 0.5mm
400 - 1000 ± 0.8mm
1000 - 2000 ± 1.2mm
2000 - 4000 ± 2.0mm

ALBERT JAGGER LTD
 GREEN LANE
 WALSALL PHONE: 01922 471000
 WEST MIDLANDS FAX: 01922 648021
 WS2 8HG

THIS DRAWING & THE DESIGN SHOWN ARE THE PROPERTY OF ALBERT JAGGER LTD AND MUST NOT BE USED OR COPIED BY A THIRD PARTY WITHOUT PERMISSION

DRAWN BY
S.R

CHECKED BY
C.H



SCALE
1 : 1

MATERIAL
SEE TABLE

MASS
0.257 kg

FINISH
SEE TABLE

Date
12/01/2022

ALL DIMS IN MM UNLESS STATED DO NOT SCALE

A3



CHROME T HANDLE	
6224-001	Sheet 1 / 1
Edition 2	