

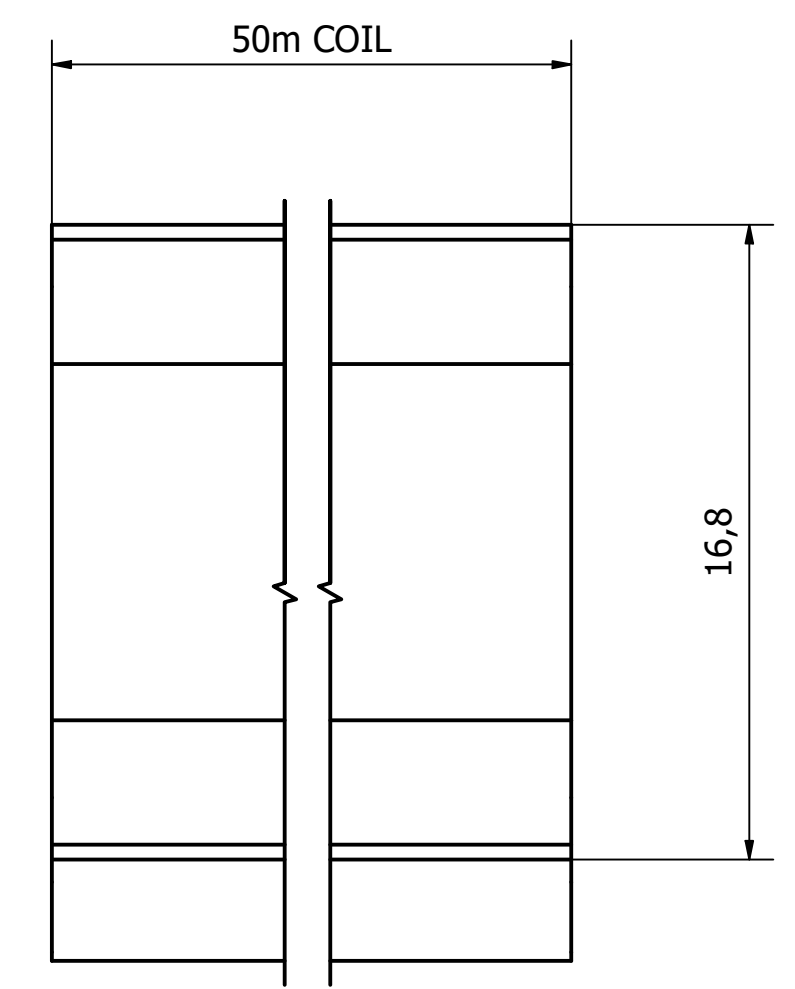
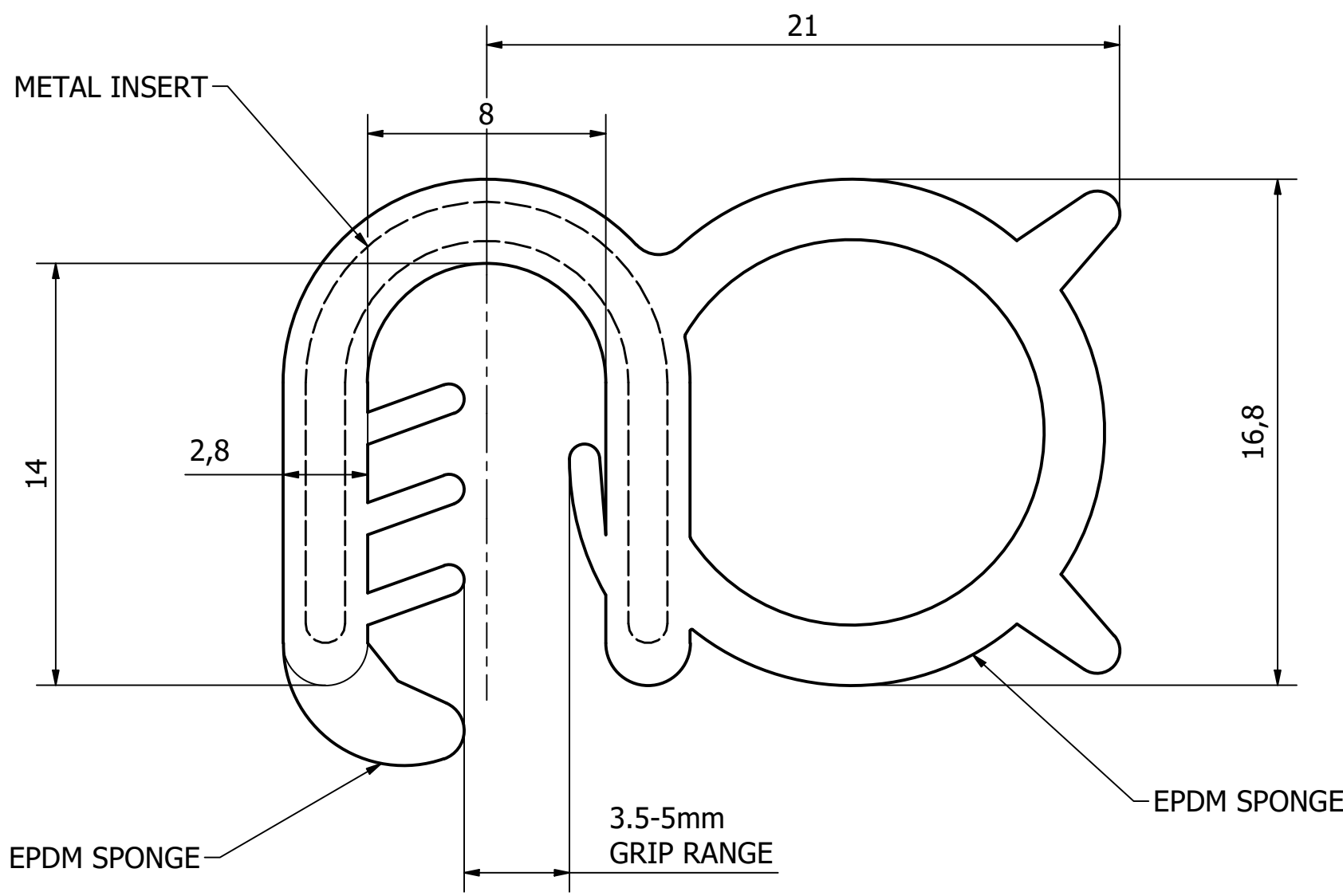
6 1 5 1 4 3 1 2 1 1

D D

C C

B B

A A



MATERIAL	SURFACE TREATMENT
EPDM SOLID - 452	HARDNESS - 75 +/- 5 DEG
EPDM SPONGE - 606	SP. GRAVITY - 0.65 +/- 0.05
METAL INSERT - 25 ST	HARDNESS - 135~145 VPN

GENERAL TOLERANCES ON LENGTHS

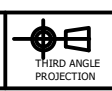
0.5 - 6 ± 0.1mm
6 - 30 ± 0.2mm
30 - 120 ± 0.3mm
120 - 400 ± 0.5mm
400 - 1000 ± 0.8mm
1000 - 2000 ± 1.2mm
2000 - 4000 ± 2.0mm

ALBERT JAGGER LTD
 GREEN LANE
 WALSALL PHONE: 01922 471000
 WEST MIDLANDS FAX: 01922 648021
 WS2 8HG

THIS DRAWING & THE DESIGN SHOWN ARE THE PROPERTY OF ALBERT JAGGER LTD AND MUST NOT BE USED OR COPIED BY A THIRD PARTY WITHOUT PERMISSION

DRAWN BY
 U.F

CHECKED BY
 A.P



SCALE
 5 :- 1

MATERIAL
 SEE TABLE

MASS
 0.016 kg

FINISH
 BLACK

Date
 25/08/2017

ALL DIMS IN MM UNLESS STATED DO NOT SCALE

A3

REV	DESCRIPTION	DATE	APPROVED
2	3D PROFILE CREATED	25/08/22	U.F
1	VALIDATION COMPLETE	31/08/17	A.P



50m DOOR SEAL	
6316-001	Edition 2 / Sheet 1 / 1

6 1 5 1 4 3 1 2 1 1