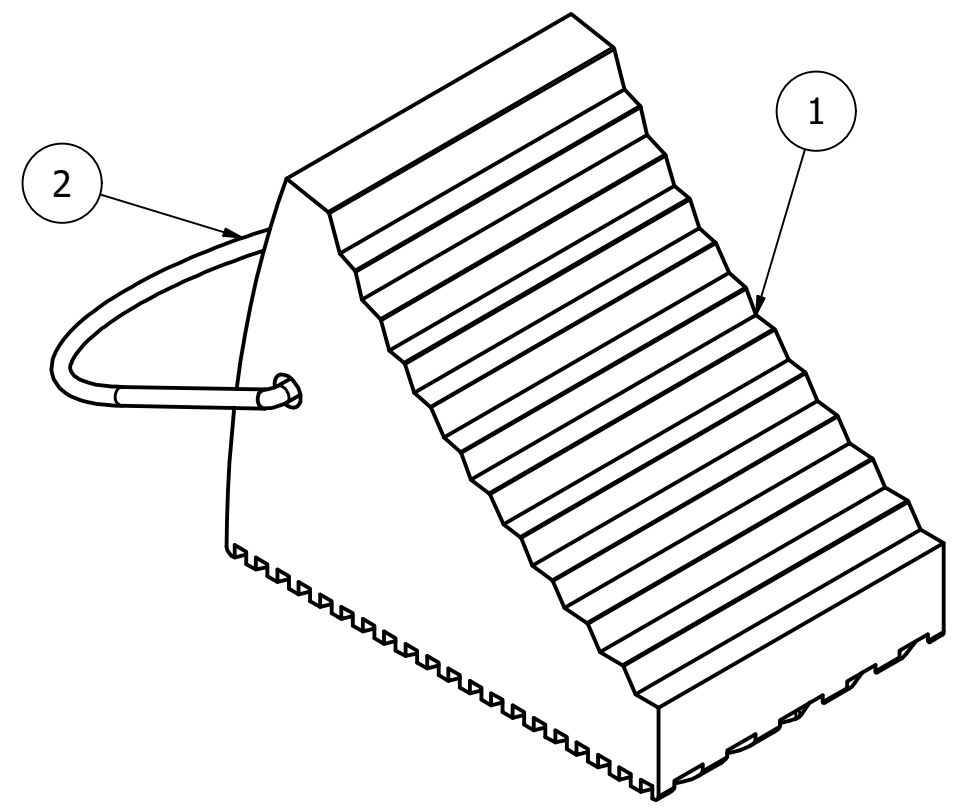
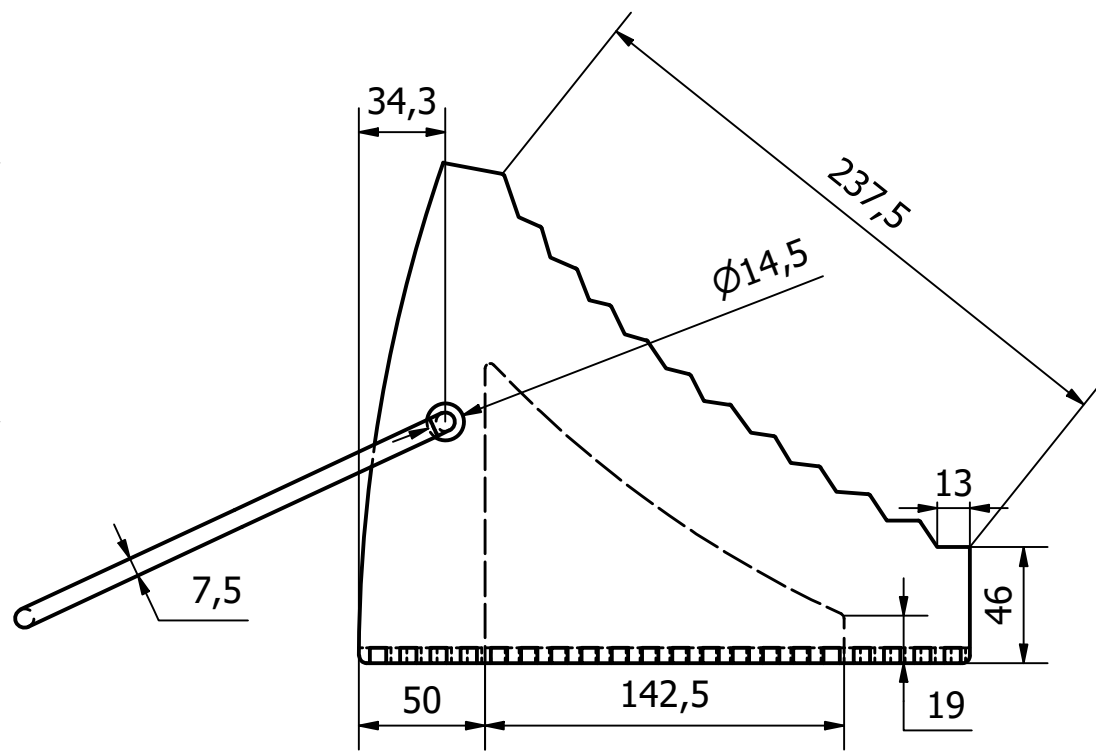
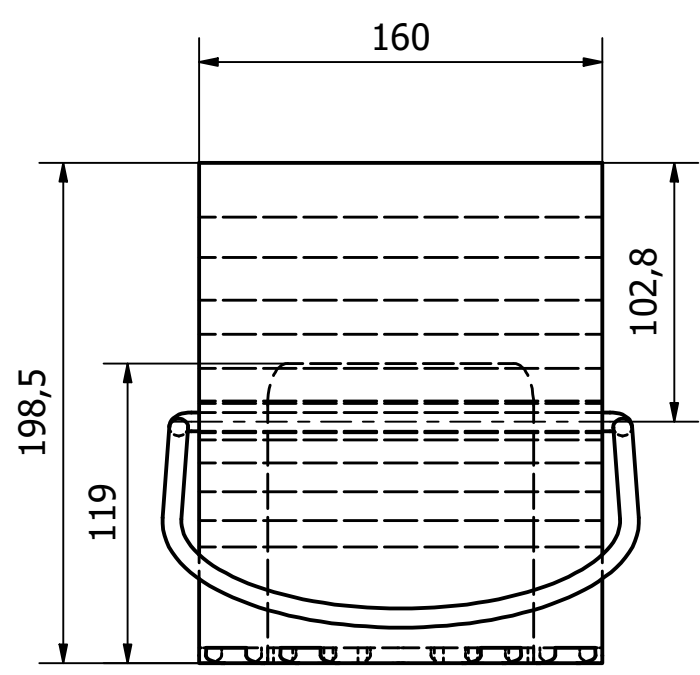
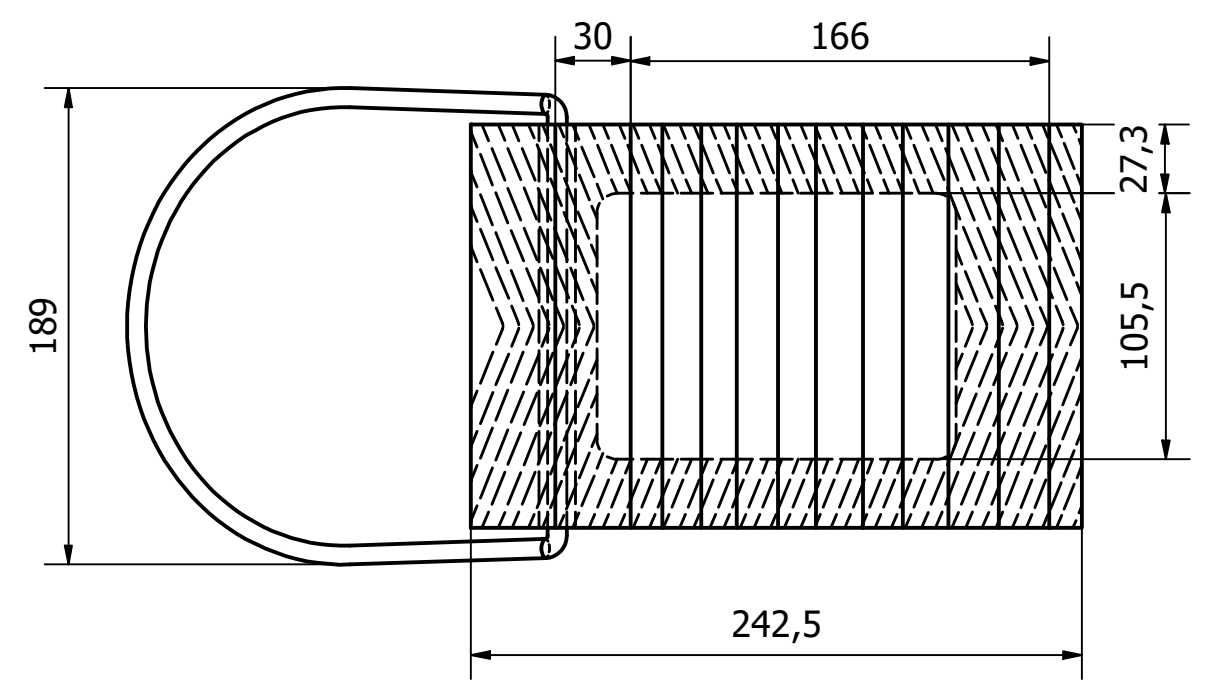


PARTS LIST			
ITEM	QTY	PART NUMBER	DESCRIPTION
1	1	6437-0011-1	RUBBER- WHEEL CHOCK BODY-BLACK
2	1	6437-0011-2	WEBBED CARRY ROPE-YELLOW



REV	DESCRIPTION	DATE	APPROVED
2	PART NUMBER ASSIGNED, WAS AJ0865	10/05/22	U.F
1	VALIDATION COMPLETE	22/04/22	C.H

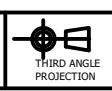
GENERAL TOLERANCES ON LENGTHS
0.5 - 6 ± 0.1mm
6 - 30 ± 0.2mm
30 - 120 ± 0.3mm
120 - 400 ± 0.5mm
400 - 1000 ± 0.8mm
1000 - 2000 ± 1.2mm
2000 - 4000 ± 2.0mm

ALBERT JAGGER LTD
 GREEN LANE
 WALSALL PHONE: 01922 471000
 WEST MIDLANDS FAX: 01922 648021
 WS2 8HG

THIS DRAWING & THE DESIGN SHOWN ARE THE PROPERTY OF ALBERT JAGGER LTD AND MUST NOT BE USED OR COPIED BY A THIRD PARTY WITHOUT PERMISSION

DRAWN BY
S.R

CHECKED BY
C.H



SCALE
1 : 3

MATERIAL
SEE TABLE

MASS
3.259 kg

FINISH
SEE TABLE

Date
22/04/2022

ALL DIMS IN MM UNLESS STATED DO NOT SCALE

A3



WHEEL CHOCK	
6437-0011	Edition 2 / Sheet 1 / 1