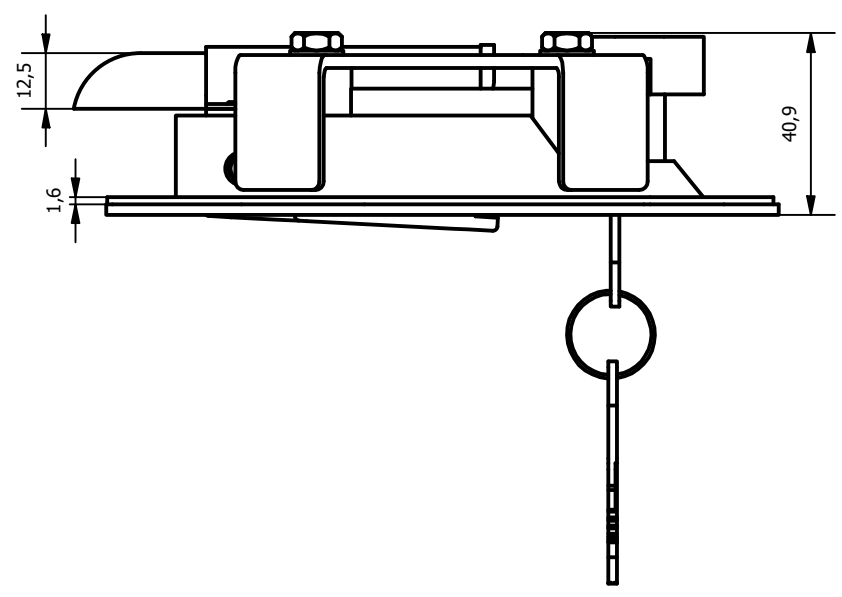
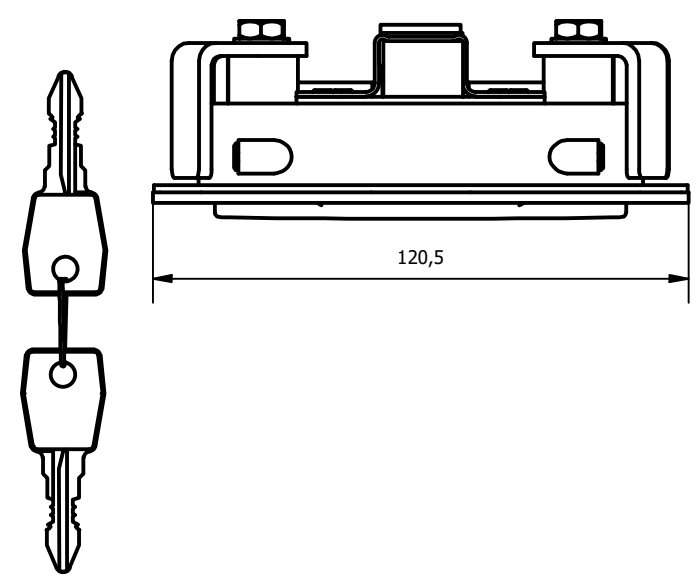


PARTS LIST			
ITEM	QTY	PART NUMBER	DESCRIPTION
1	1	9000-9-03419-1	BLACK REINFORCED NYLON BODY
2	1	9000-9-03419-2	ZINC PLATED M/STEEL BODY TO TONGUE
3	1	9000-9-03419-3	STEEL TONGUE
4	1	9000-9-03419-4	ZINC PLATED M/STEEL BASE TO TONGUE
5	1	9000-9-03419-5	ZINC PLATED M/STEEL TONGUE GUIDE
6	1	9000-9-03419-6	S/STEEL M6 SCREW HOLDER
7	1	9000-9-03419-7	M/STEEL ROD
8	2	9000-9-03419-8	M/STEEL GOLD M6 THREAD INSERTERS
9	2	9000-9-03419-9	M/STEEL GOLD M6 THREAD INSERTERS
10	4	9000-9-03419-10	M6 M/STEL BOLT
11	4	9000-9-03419-11	M/STEEL RIVET
12	1	9000-9-03419-12	M3.5 STEEL SCREW
13	2	9000-9-03419-13	ZINC PLATED M/STEEL CLAMP GATE
14	1	9000-9-03419-14	M6 M/STEEL BOLT
15	1	9000-9-03419-15	M/STEEL KEY BARREL
16	4	9000-9-03419-16	M/STEEL RIVET
17	1	9000-9-03419-17	M/STEEL COIL SPRING
18	2	9000-9-03419-18	M/STEEL KEY
19	1	9000-9-03419-19	STEEL KEYRING
20	1	9000-9-03419-20	BLACK NEOPRENE GASKET



1	VALIDATION COMPLETE	20/05/19	A.S
REV	DESCRIPTION	DATE	APPROVED

GENERAL TOLERANCES ON LENGTHS 0.5 - 6 ± 0.1mm 6 - 30 ± 0.2mm 30 - 120 ± 0.3mm 120 - 400 ± 0.5mm 400 - 1000 ± 0.8mm 1000 - 2000 ± 1.2mm 2000 - 4000 ± 2.0mm
--

ALBERT JAGGER LTD
 GREEN LANE
 WALSALL PHONE: 01922 471000
 WEST MIDLANDS FAX: 01922 648021
 WS2 8HG

THIS DRAWING & THE DESIGN SHOWN ARE THE PROPERTY OF ALBERT JAGGER LTD AND MUST NOT BE USED OR COPIED BY A THIRD PARTY WITHOUT PERMISSION

DRAWN BY A.S	CHECKED BY A.P	 THIRD ANGLE PROJECTION	SCALE 1:1.7	MATERIAL SEE DRAWING	MASS 0.545 kg	FINISH SEE DRAWING	Date 25/03/2019	ALL DIMS IN MM UNLESS STATED DO NOT SCALE	A3
						PADDLE LOCK - 9000 SERIES OVAL WITH SHOOT BOLT 9000-9-03419			
						Edition 1		Sheet 1 / 1	