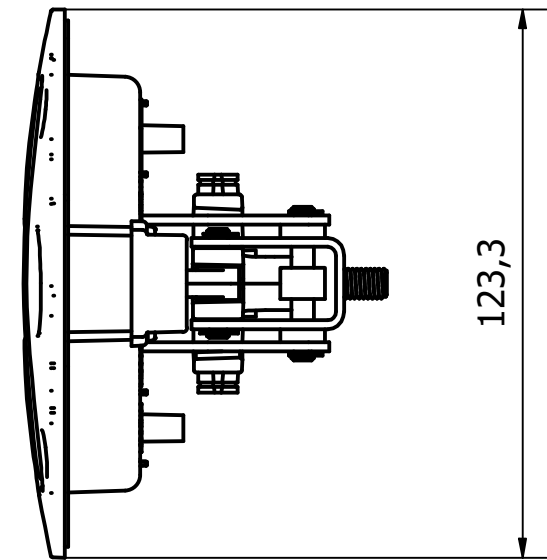
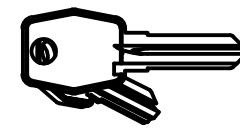
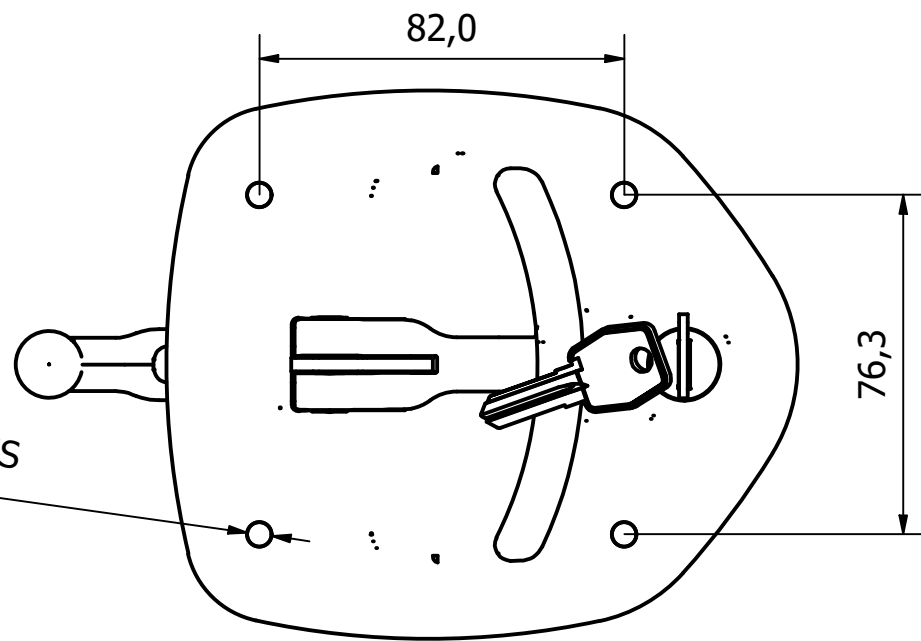
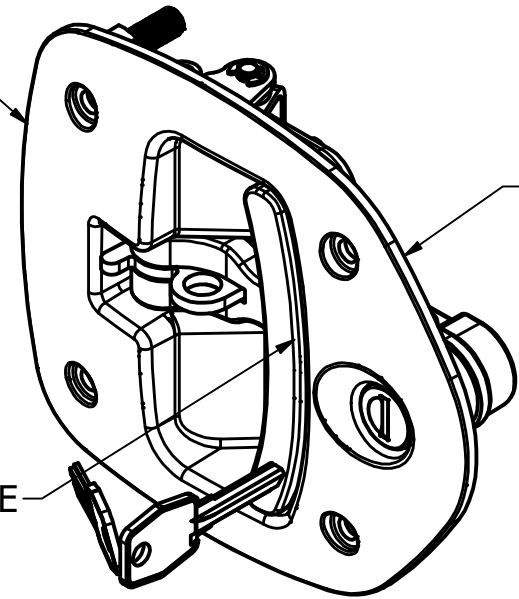


BLACK GLASS FILLED NYLON BODY

NEOPRENE GASKET

BLACK POWDER COATED ZINC DIE-CAST HANDLE



1	VALIDATION COMPLETE	20/05/19	A.S
REV	DESCRIPTION	DATE	APPROVED
A.S	A.P	11/02/2019	A3
<b>albert Jagger</b> RECESSED COMPRESSION DROP T LATCH 9000-9-03500		Edition 1	Sheet 1 / 1

GENERAL TOLERANCES ON LENGTHS 0.5 - 6 ± 0.1mm 6 - 30 ± 0.2mm 30 - 120 ± 0.3mm 120 - 400 ± 0.5mm 400 - 1000 ± 0.8mm 1000 - 2000 ± 1.2mm 2000 - 4000 ± 2.0mm
--

ALBERT JAGGER LTD  
 GREEN LANE  
 WALSALL PHONE: 01922 471000  
 WEST MIDLANDS FAX: 01922 648021  
 WS2 8HG

THIS DRAWING & THE DESIGN SHOWN  
 ARE THE PROPERTY OF ALBERT JAGGER LTD  
 AND MUST NOT BE USED OR COPIED BY A  
 THIRD PARTY WITHOUT PERMISSION

DRAWN BY	CHECKED BY	SCALE	MATERIAL	MASS	FINISH	Date	ALL DIMS IN MM UNLESS STATED DO NOT SCALE
A.S	A.P	1 : 1.7	SEE NOTE	0.000 kg	SEE NOTE	11/02/2019	

