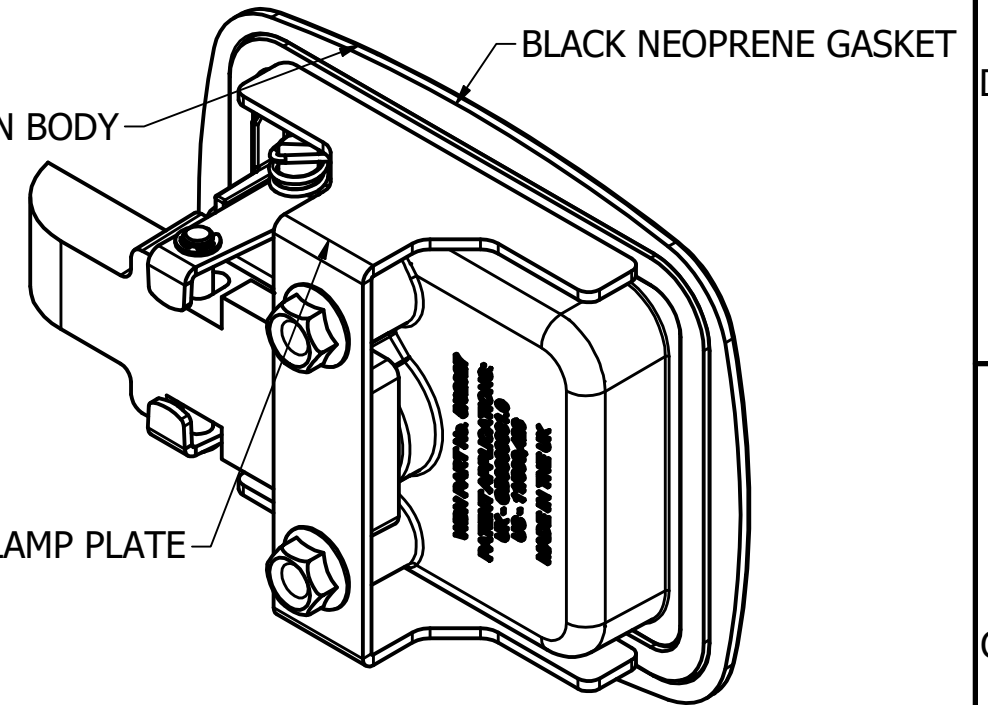
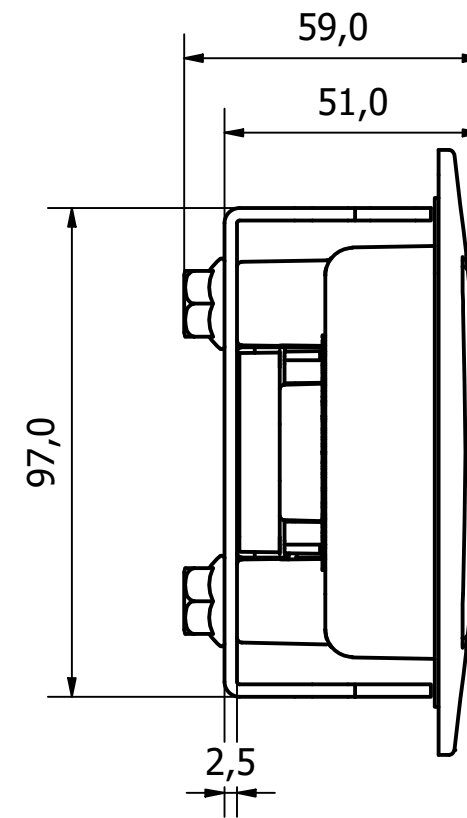
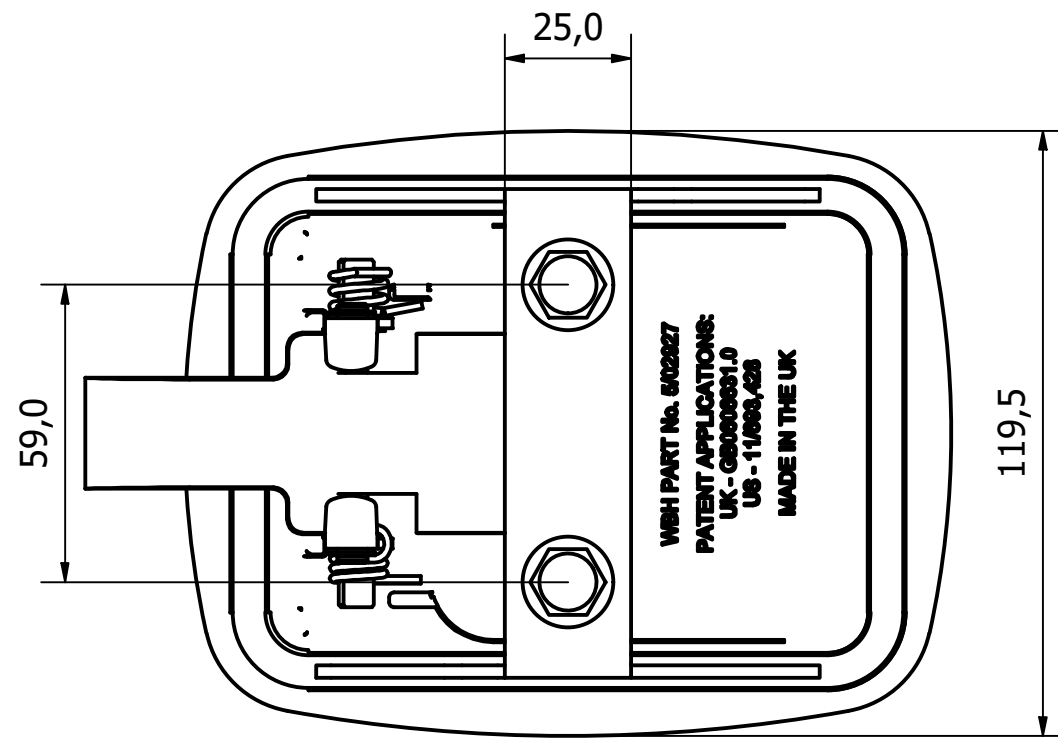


BLACK GLASS REINFORCED NYLON BODY



ZINC PLATED LOW FRICTION M/STEEL CLAMP PLATE



NOTE:

USE WITH:
9000/900406

GENERAL TOLERANCES
ON LENGTHS

0.5 - 6 ± 0.1mm
6 - 30 ± 0.2mm
30 - 120 ± 0.3mm
120 - 400 ± 0.5mm
400 - 1000 ± 0.8mm
1000 - 2000 ± 1.2mm
2000 - 4000 ± 2.0mm

ALBERT JAGGER LTD
GREEN LANE
WALSALL PHONE: 01922 471000
WEST MIDLANDS FAX: 01922 648021
WS2 8HG

THIS DRAWING & THE DESIGN SHOWN
ARE THE PROPERTY OF ALBERT JAGGER LTD
AND MUST NOT BE USED OR COPIED BY A
THIRD PARTY WITHOUT PERMISSION

DRAWN BY

A.S

CHECKED BY

A.P



SCALE
1:1.5

MATERIAL
SEE NOTE

MASS
0.000 kg

FINISH
SEE NOTE

Date
13/02/2019

ALL DIMS IN MM
UNLESS STATED
DO NOT SCALE

A3



PADDLE LOCK - 9000 SERIES WEATHERPROOF

9000-9-05450

Edition
1

Sheet
1 / 1

1	VALIDATION COMPLETE	20/05/19	A.P
REV	DESCRIPTION	DATE	APPROVED