

6 5 4 3 2 1

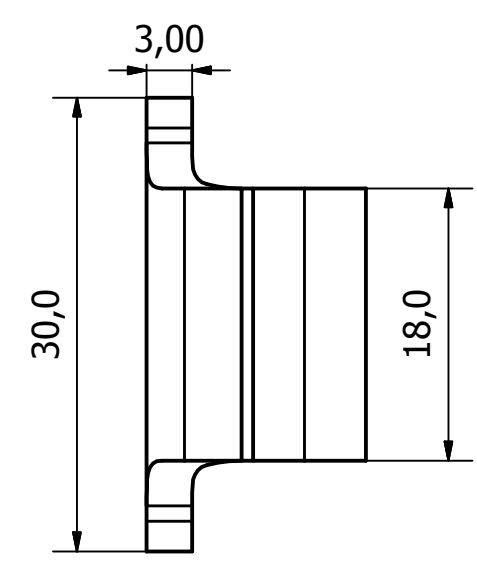
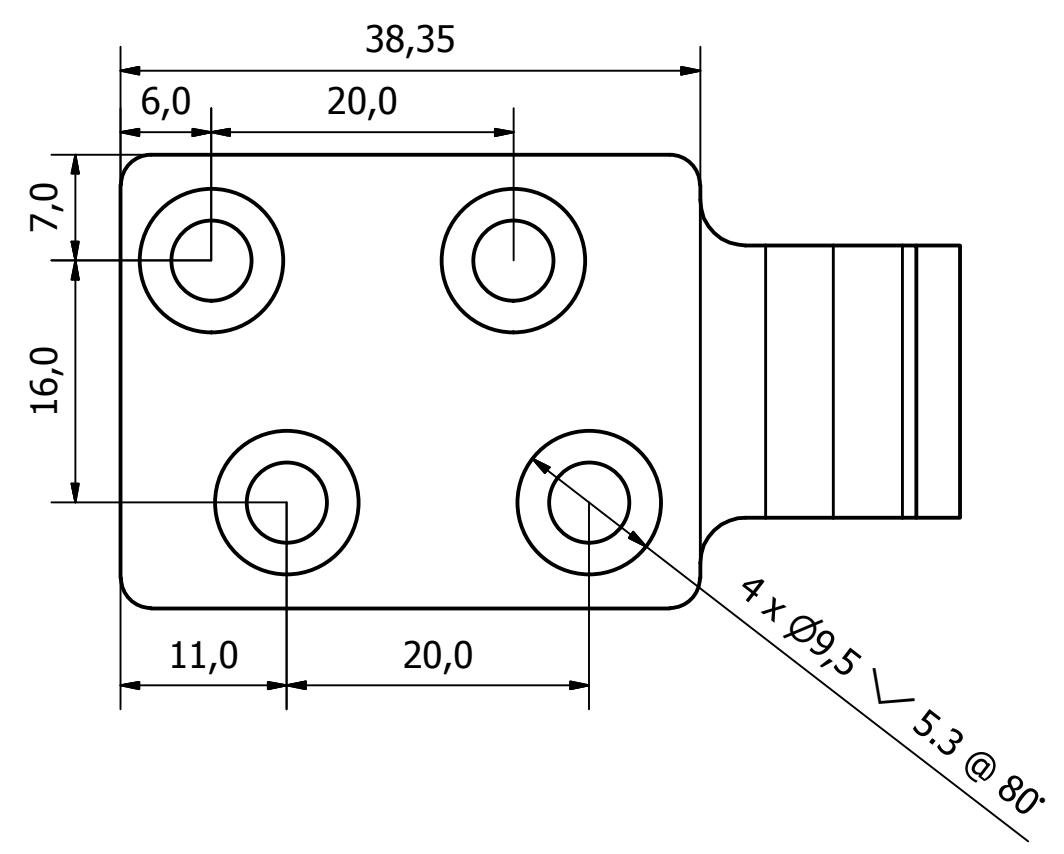
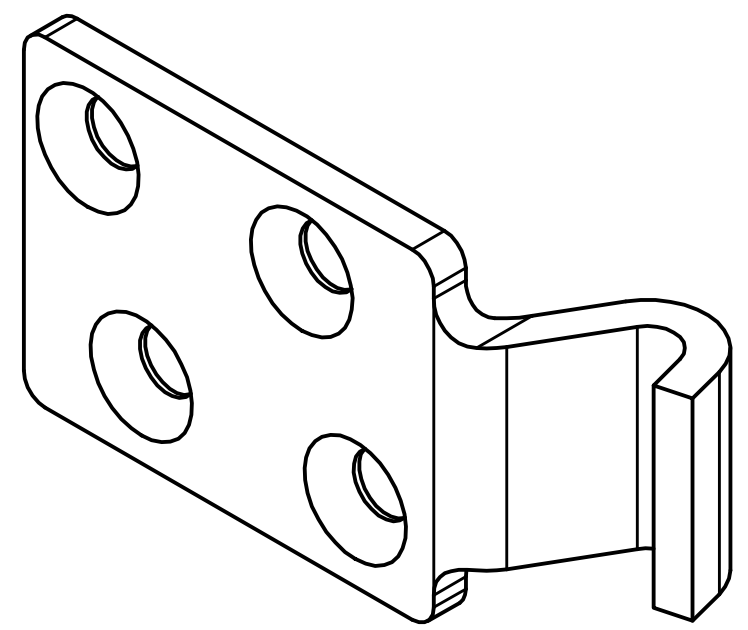
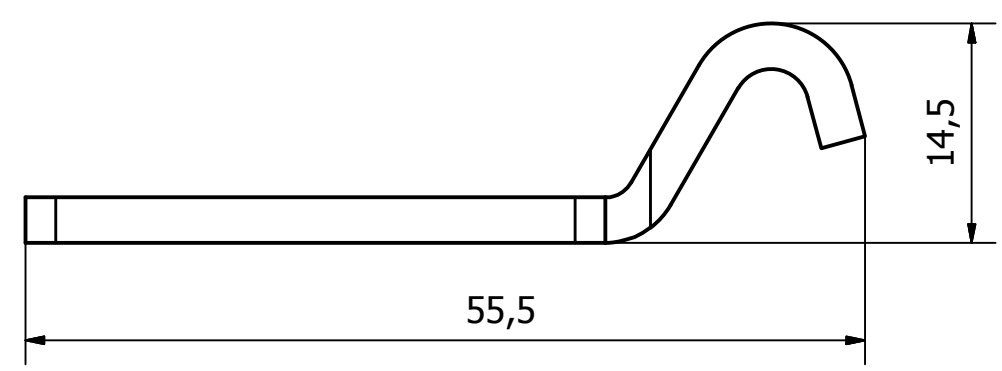
D

C

B

A

6 5 4 3 2 1



NOTE:

FOR USE WITH:

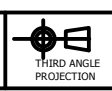
- 9100/52060 - 702SC SERIES MEDIUM NON LOCKING OVERCENTRE FASTENER
- 9100/52070 - 702LC SERIES MEDIUM LOCKING OVERCENTRE FASTENER
- 9100/51011 - 102C SERIES SMALL NON LOCKING OVERCENTRE FASTENER
- 9100/51041 - 202C SERIES SMALL LOCKING OVER CENTRE FASTENER

GENERAL TOLERANCES ON LENGTHS
0.5 - 6 ± 0.1mm
6 - 30 ± 0.2mm
30 - 120 ± 0.3mm
120 - 400 ± 0.5mm
400 - 1000 ± 0.8mm
1000 - 2000 ± 1.2mm
2000 - 4000 ± 2.0mm

ALBERT JAGGER LTD
 GREEN LANE
 WALSALL PHONE: 01922 471000
 WEST MIDLANDS FAX: 01922 648021
 WS2 8HG
 THIS DRAWING & THE DESIGN SHOWN ARE THE PROPERTY OF ALBERT JAGGER LTD AND MUST NOT BE USED OR COPIED BY A THIRD PARTY WITHOUT PERMISSION

DRAWN BY
U.F

CHECKED BY
A.P



SCALE
2 : 1

MATERIAL
M/STEEL

MASS
0.034 kg

FINISH
Z+C
PASSIVATED

Date
19/02/2018

ALL DIMS IN MM UNLESS STATED DO NOT SCALE

A3

1	VALIDATION COMPLETE	12/03/18	A.P
REV	DESCRIPTION	DATE	APPROVED



M/STEEL 10C SERIES MEDIUM STRIKER PLATE

9100-522031	Edition 1	Sheet 1 / 1
-------------	--------------	----------------