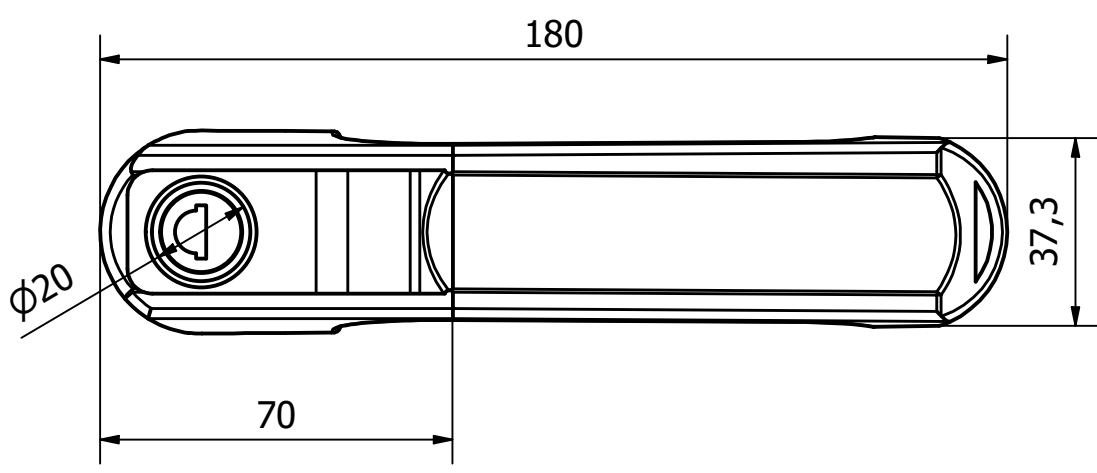
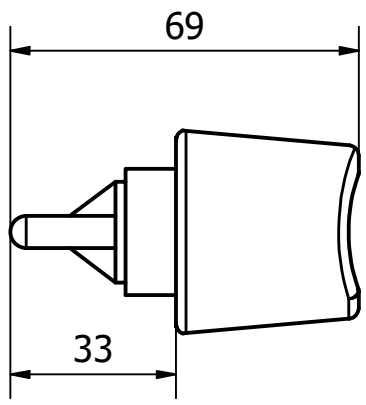
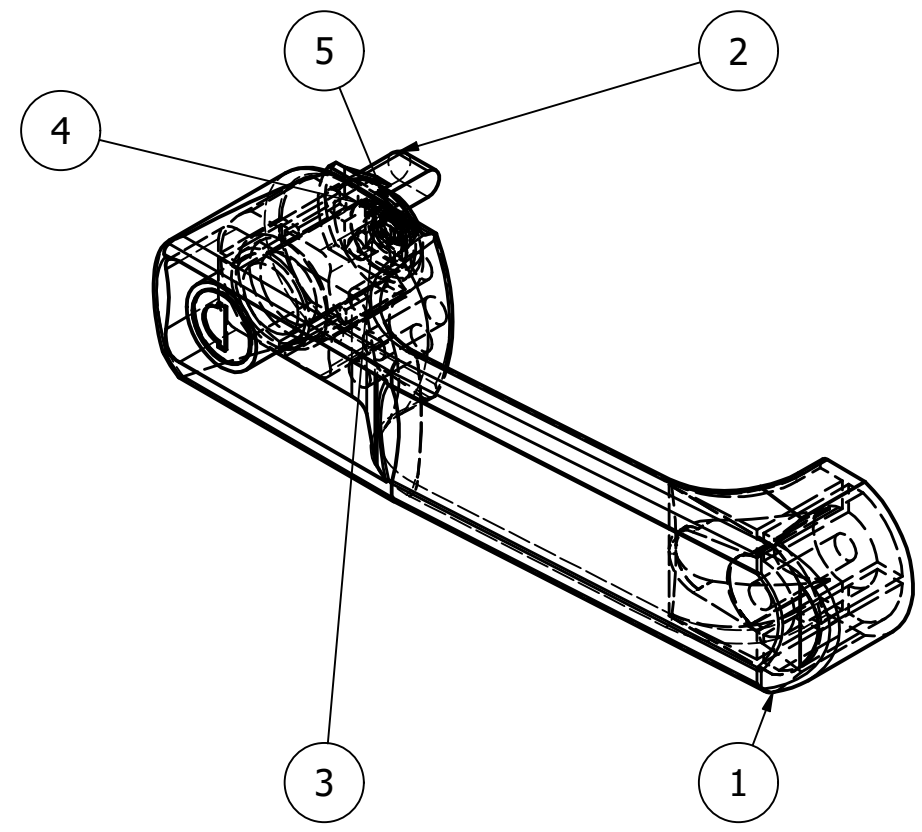
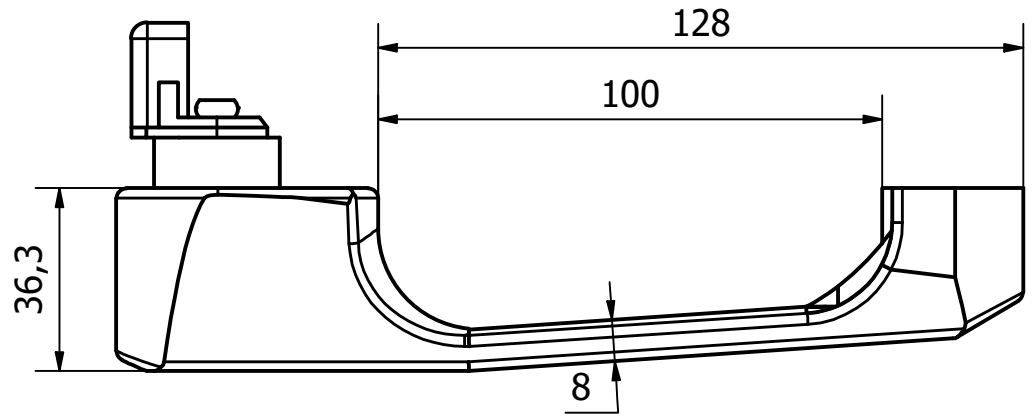


PARTS LIST			
ITEM	QTY	PART NUMBER	DESCRIPTION
1	1	9300-002-1	GLASS REINFORCED POLYESTER HANDLE
2	1	9300-002-2	M/STEEL STRIKER
3	1	9300-002-3	M/STEEL WASHER - 9.85 O/D
4	1	9300-002-4	M/STEEL LOCK WASHER - 9.85 O/D
5	1	9300-002-5	M/STEEL SCREW



1	VALIDATION COMPLETE	01/10/21	C.H
REV	DESCRIPTION	DATE	APPROVED

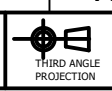
GENERAL TOLERANCES ON LENGTHS
0.5 - 6 ± 0.1mm
6 - 30 ± 0.2mm
30 - 120 ± 0.3mm
120 - 400 ± 0.5mm
400 - 1000 ± 0.8mm
1000 - 2000 ± 1.2mm
2000 - 4000 ± 2.0mm

ALBERT JAGGER LTD
 GREEN LANE
 WALSALL PHONE: 01922 471000
 WEST MIDLANDS FAX: 01922 648021
 WS2 8HG

THIS DRAWING & THE DESIGN SHOWN ARE THE PROPERTY OF ALBERT JAGGER LTD AND MUST NOT BE USED OR COPIED BY A THIRD PARTY WITHOUT PERMISSION

DRAWN BY
S.R

CHECKED BY
C.H



SCALE
1:2

MATERIAL
SEE TABLE

MASS
0.052 kg

FINISH
SEE TABLE

Date
24/09/2021

ALL DIMS IN MM UNLESS STATED DO NOT SCALE

A3



PUSH BUTTON HANDLES - REMOUNT 9300 SERIES

9300-002

Edition 1	Sheet 1 / 1
--------------	----------------