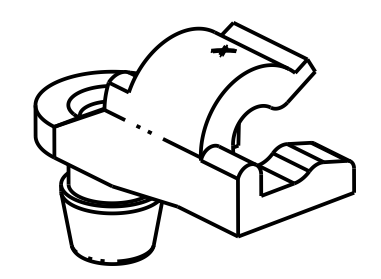
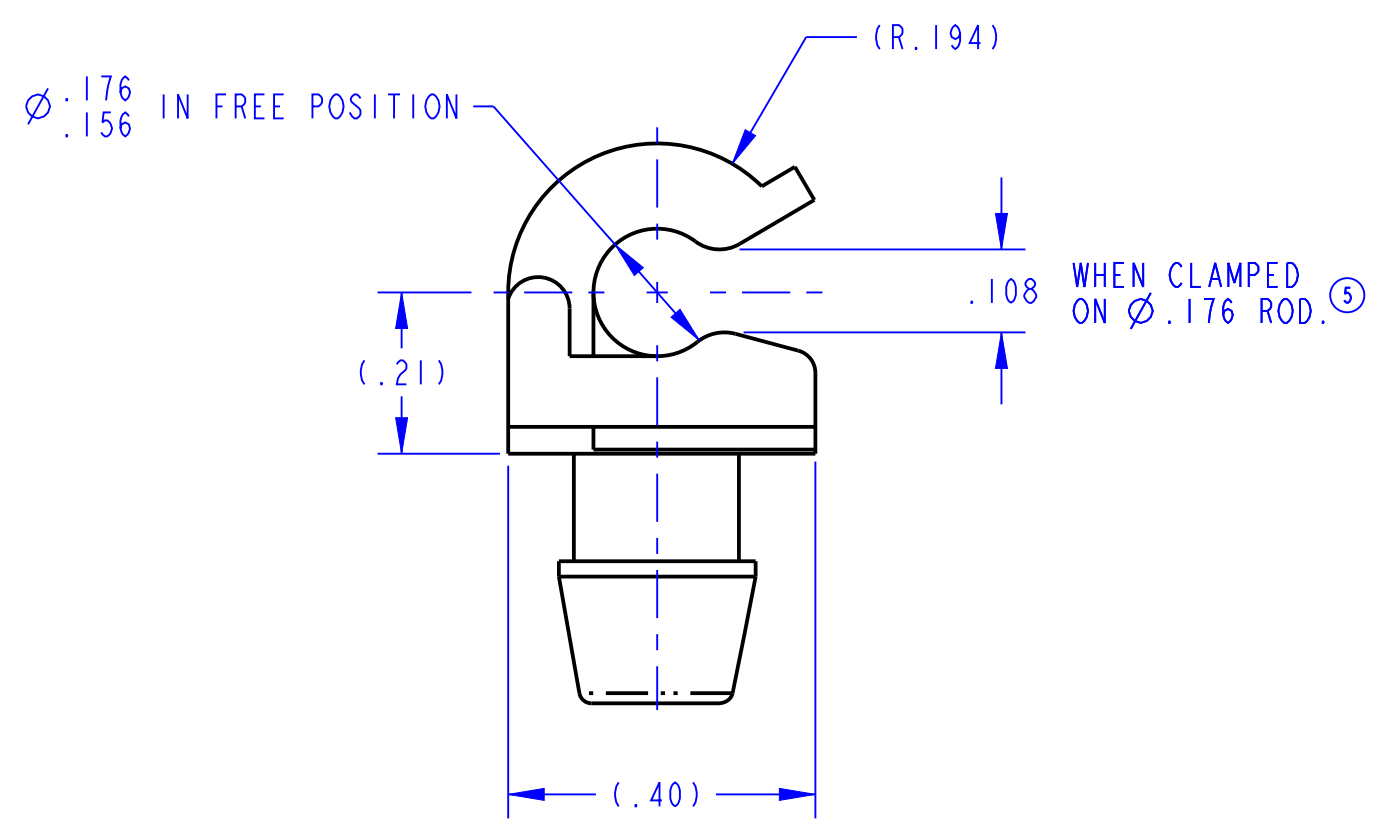
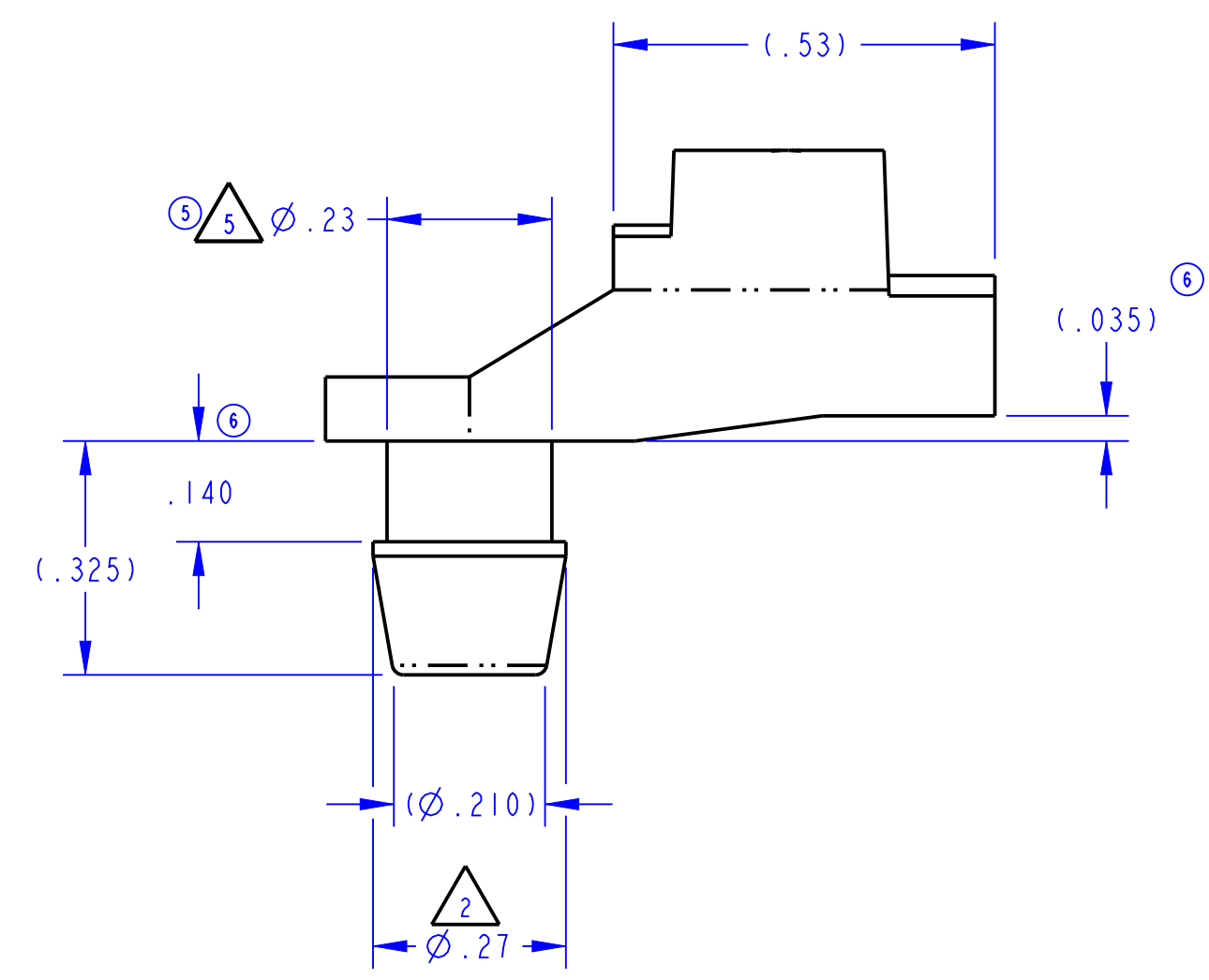
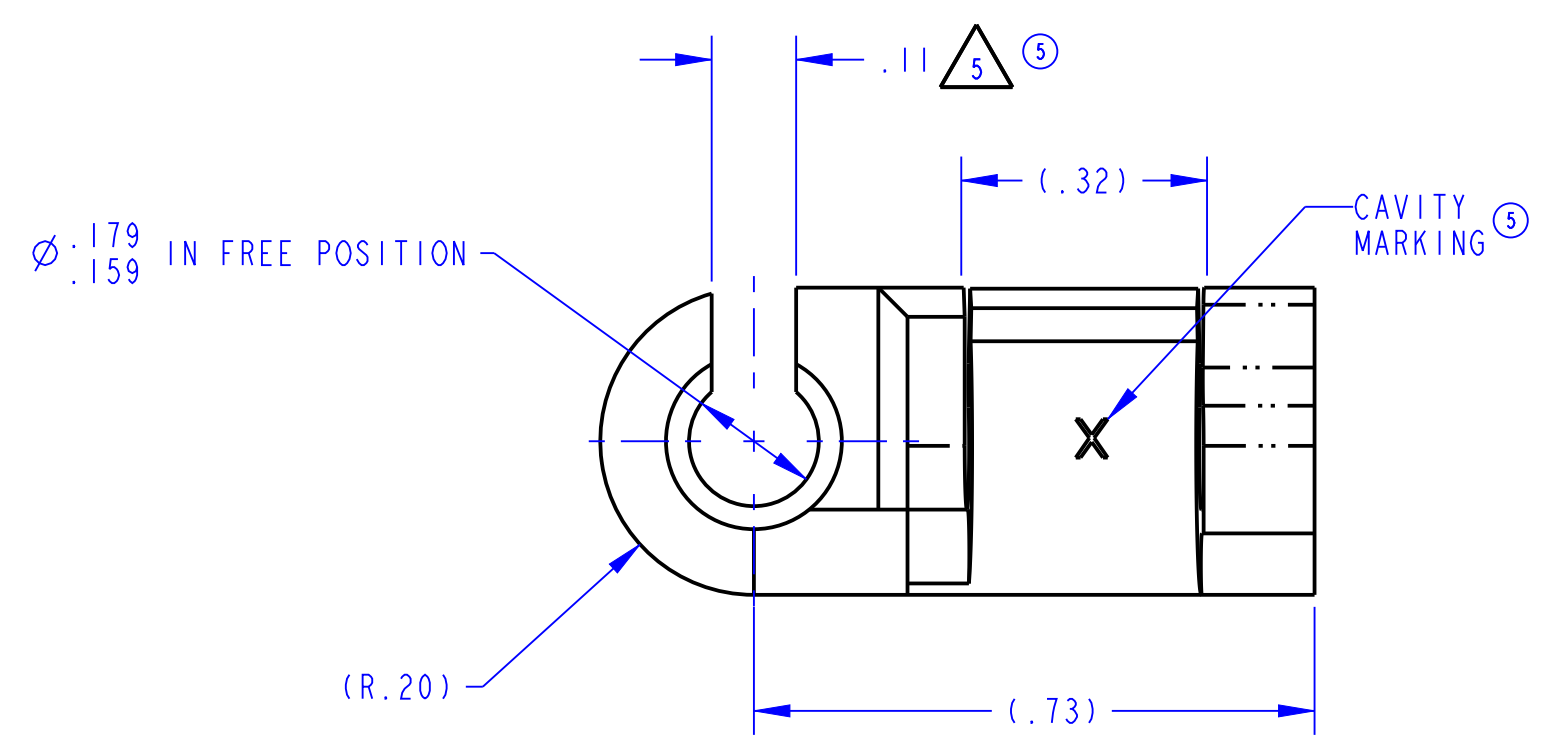


PART NUMBER	MATERIAL	COLOR	SHIPPING INFO	PACKAGING
81388	ZYTEL 408L NCO10 NYLON, HEAT STABILIZED PER ASTM D-789, TYPE 1, GRADE 3A	BLACK		NONE
81388-01				JD RETURNABLE

REVISION	ECN	ECN BY	DESCRIPTION
1	8823	DFT 8/4/95	REDRAWN ON CAD; DELETED R.194 DIM
2	17842	BJB 8/4/00	REVISED AND REDRAWN
3	19555	GOE 01/15/03	REF'D ALL INSIGNIFICANT DIMS ADDED Ø.23; ADDED NOTE #3 REVISED NOTE #1 (EFC...01-EU WAS ARDEN FASTENER #15074-4)
4	19648	TEB 4/22/03	REVISED NOTE 1
5	39625	TPL 2016-12-21	UPDATED FORMAT, ADDED MAT'L TABLE, FFF TO MAT'L CALLOUT; WAS SIGNIFICANT CHARACTERISTIC ; NOTES 4 & 5; IN RT VIEW: ADDED NOTE TO .108; IN FRT VIEW: ADDED FLAG NOTE TO Ø.23; IN TOP VIEW: REMOVED NOTE, ADDED FLAG NOTE TO .11; REV NOTE 1: #144-020003 WAS #14-020000; ADDED COLOR & SHIPPING INFO TO MAT'L TABLE; REV ISO VIEW & DESC
6	39717	AGJ 2017-03-23	ADDED: -01 VERSION; PACKAGING COLUMN; (.035) DIM. .140 WAS .140±.005;



ISO VIEW  
SCALE 2.00

NOTE: UNLESS OTHERWISE SPECIFIED:

- ④⑤ 1. SUPPLIER PART #09300020-A03 (MANUFACTURER #14-020003-EU).
- ② PRONG TO FIT Ø.234-.239 HOLE.
- ③ MATERIAL CERTIFICATION REQUIRED WITH EACH SHIPMENT SHOWING: PO#, PART#, AND ASTM SPEC#.
- ④ PARTS TO BE SHIPPED WITH MEDIUM CONTAINING MOISTURE, TO FACILITATE NATURALIZATION OF THE PARTS IN TRANSIT. MEDIUM TO BE WETTED WITH TAP WATER AND SEALED IN BAG WITH THE PARTS.
- ⑤ Ø.169 ROD MUST BE CLAMPED INTO SLOTTED END WHEN CHECKING DIMENSIONS.

DIMENSIONS	ANGLES
X.X = ±.1	X° = ±2°
X.XX = ±.02	
X.XXX = ±.010	

● INDICATES REQUIRED ASSEMBLY INFORMATION. UOS: THE -00 VERSION SHALL BE THE UNFINISHED VERSION OF PART SHOWN. UOS: ALL DIMENSIONS APPLY BEFORE COATING. (ASME Y14.5M, sec. 2.4.1)			
TOLERANCES UNLESS OTHERWISE SPECIFIED (UOS) ASME Y14.5M-1994		DRAWN BY JGP 1990-03-10 CHECKED BY MLL 1990-08-17	500 Bailey Avenue P. O. Box 350 New Hampton, Iowa 50659 U.S.A. Tel: 641-394-3188 Fax: 641-394-2392
PROJECT 87001-951 PRODUCT CODE J01 (090-0100)		This drawing and the information contained herein is the property of TriMark Corporation and shall not be used for any purpose without our written consent.	
CUSTOMER -		DESCRIPTION ⑤ 090-0100, CLIP, ROD, NYL, Ø.168	
CUSTOMER PART NUMBER -		PART WEIGHT (0.002 LB.)	SURFACE AREA (1.64 IN <sup>2</sup> )
REF. T/M OP 4.20-2 FOR SUP. QUALITY REQ. REF. T/M OP 4.20-3 FOR INT. QUALITY REQ.		SIZE C	SCALE 4.0 SHEET 1/1 PART NUMBER 81388