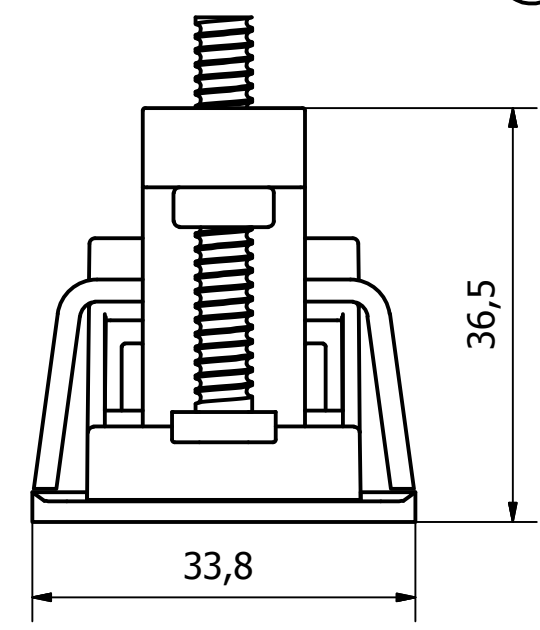
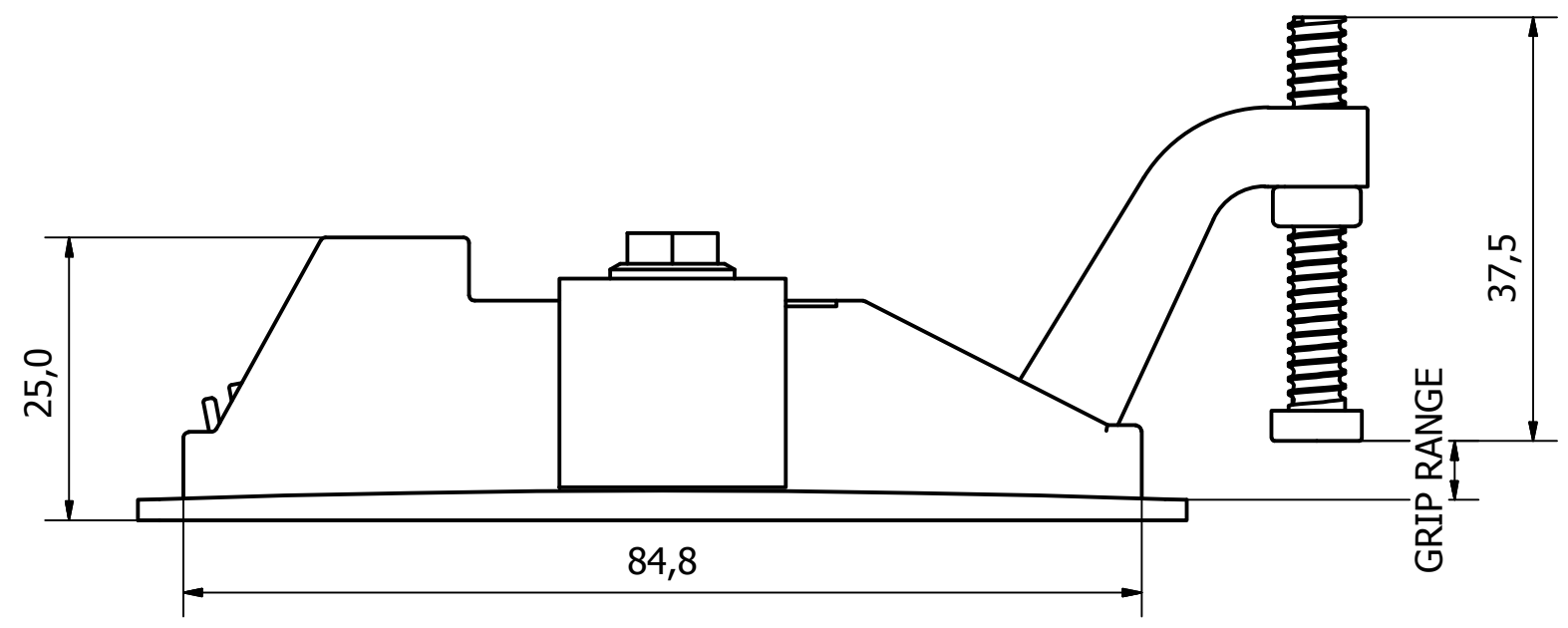
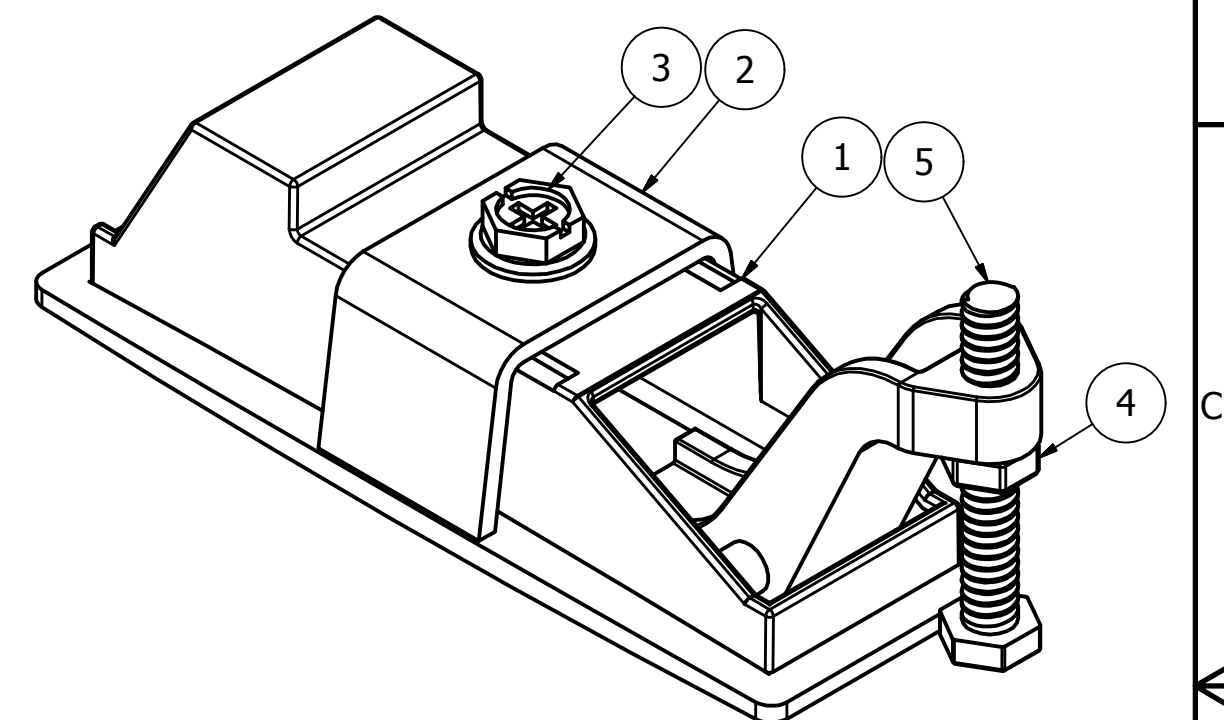


PARTS LIST			
ITEM	QTY	PART NUMBER	DESCRIPTION
1	1	9530-0620-1	BLACK ZINC DIECAST LOCK BODY ASSEMBLY
2	1	9530-0620-2	M/STEEL CLAMP - Z/C PASSIVATE
3	1	9530-0620-3	M/STEEL CLAMP SCREW - Z/C PASSIVATE
4	1	9530-0620-4	SS 304 M5 NUT - NATURAL
5	1	9530-0620-5	SS 304 M5 x 35 SCREW - NATURAL



NOTE:
GRIP RANGE 1-25mm

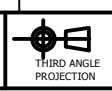
GENERAL TOLERANCES ON LENGTHS
0.5 - 6 ± 0.1mm
6 - 30 ± 0.2mm
30 - 120 ± 0.3mm
120 - 400 ± 0.5mm
400 - 1000 ± 0.8mm
1000 - 2000 ± 1.2mm
2000 - 4000 ± 2.0mm

ALBERT JAGGER LTD
GREEN LANE
WALSALL PHONE: 01922 471000
WEST MIDLANDS FAX: 01922 648021
WS2 8HG

THIS DRAWING & THE DESIGN SHOWN ARE THE PROPERTY OF ALBERT JAGGER LTD AND MUST NOT BE USED OR COPIED BY A THIRD PARTY WITHOUT PERMISSION

DRAWN BY
U.F

CHECKED BY
A.P



SCALE
1.5:1

MATERIAL
-

MASS
0.156 kg

FINISH
SEE TABLE

Date
31/05/2017

ALL DIMS IN MM UNLESS STATED DO NOT SCALE

A3



1		VALIDATION COMPLETE	19/07/17	A.P
REV		DESCRIPTION	DATE	APPROVED
		COMPRESSION LEVER LATCH - NON LOCKING		
		9530-0620	Edition 1	Sheet 1 / 1