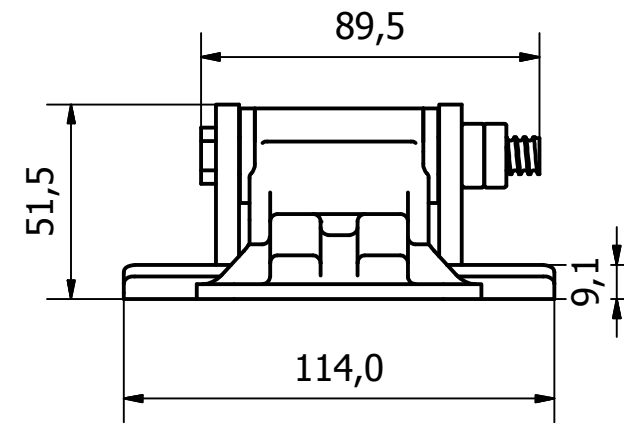
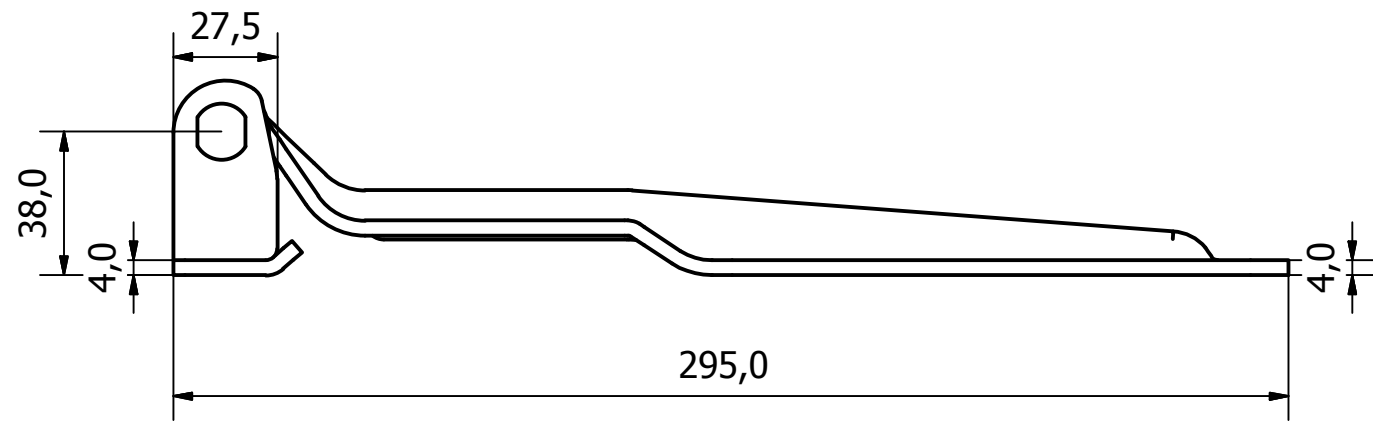
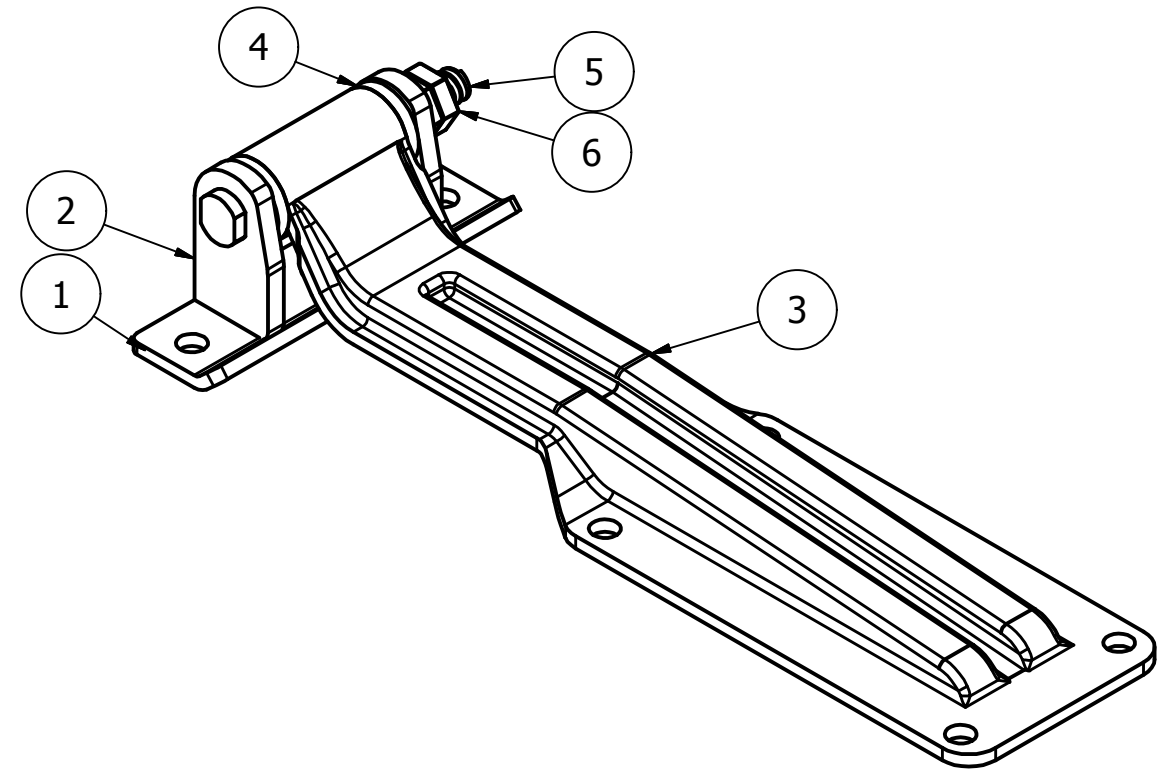
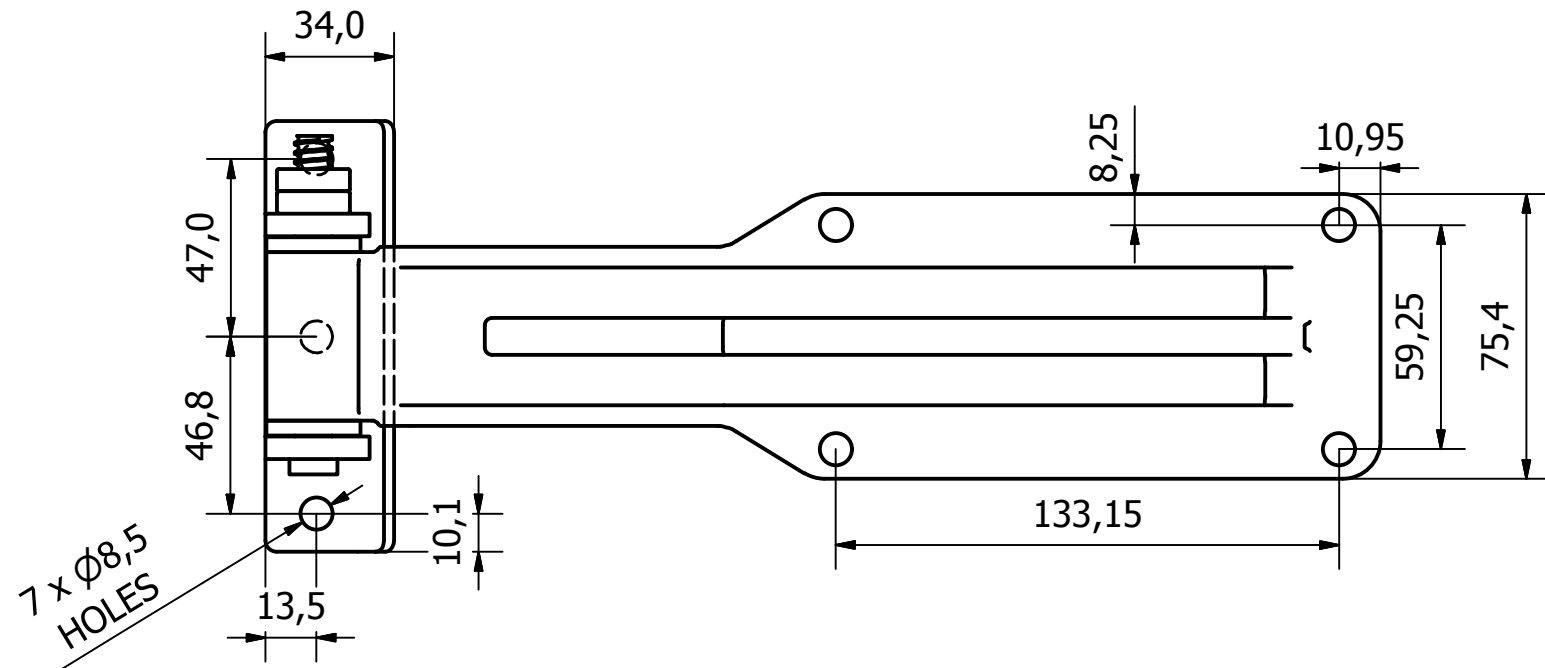


PARTS LIST			
ITEM	QTY	PART NUMBER	DESCRIPTION
1	1	9810-516-1	M/STEEL MOUNTING BRACKET
2	2	9810-516-2	M/STEEL WELDED LEG
3	1	9810-516-3	M/STEEL MOUNTING PLATE
4	2	9810-516-4	NYLON BUSH
5	1	9810-516-5	M10 M/STEEL BOLT
6	2	9810-516-6	M10 M/STEEL NUT



PART No.	MATERIAL	FINISH
9810/515	T304 S/STEEL	MIRROR POLISH
9810/516	MILD STEEL	Z/C PASSIVATE

GENERAL TOLERANCES ON LENGTHS
0.5 - 6 ± 0.1mm
6 - 30 ± 0.2mm
30 - 120 ± 0.3mm
120 - 400 ± 0.5mm
400 - 1000 ± 0.8mm
1000 - 1200 ± 1.2mm
2000 - 4000 ± 2.0mm

ALBERT JAGGER LTD
GREEN LANE
WALSALL PHONE: 01922 471000
WEST MIDLANDS FAX: 01922 648021
WS2 8HG

THIS DRAWING & THE DESIGN SHOWN ARE THE PROPERTY OF ALBERT JAGGER LTD AND MUST NOT BE USED OR COPIED BY A THIRD PARTY WITHOUT PERMISSION

DRAWN BY
U.F

CHECKED BY
A.P

SCALE
1 : 2

MATERIAL
SEE NOTE

MASS
1.415 kg

FINISH
SEE NOTE

Date
14/03/2017

ALL DIMS IN MM UNLESS STATED DO NOT SCALE

A3

1	VALIDATION COMPLETE	29/03/17	A.P
REV	DESCRIPTION	DATE	APPROVED



REAR VAN DOOR HINGE (270 DEG OPERATION)

9810-516

Edition
1

Sheet
1 / 1