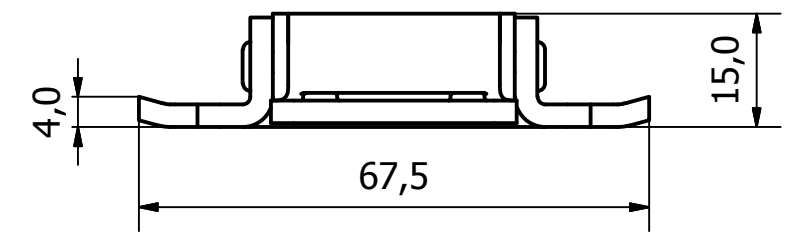
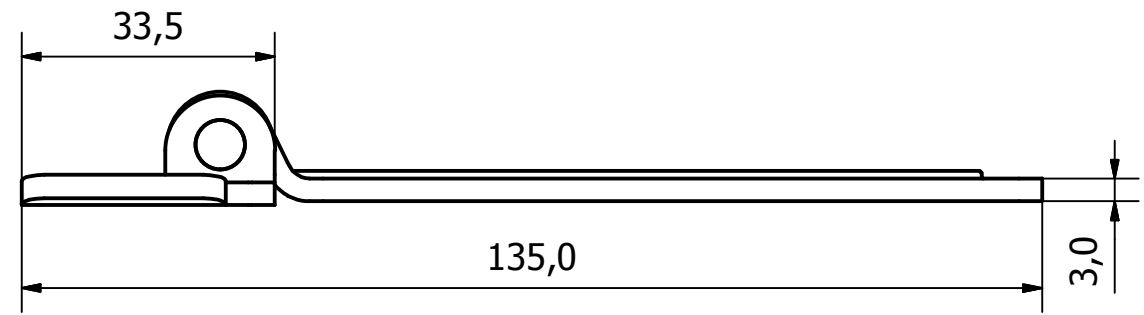
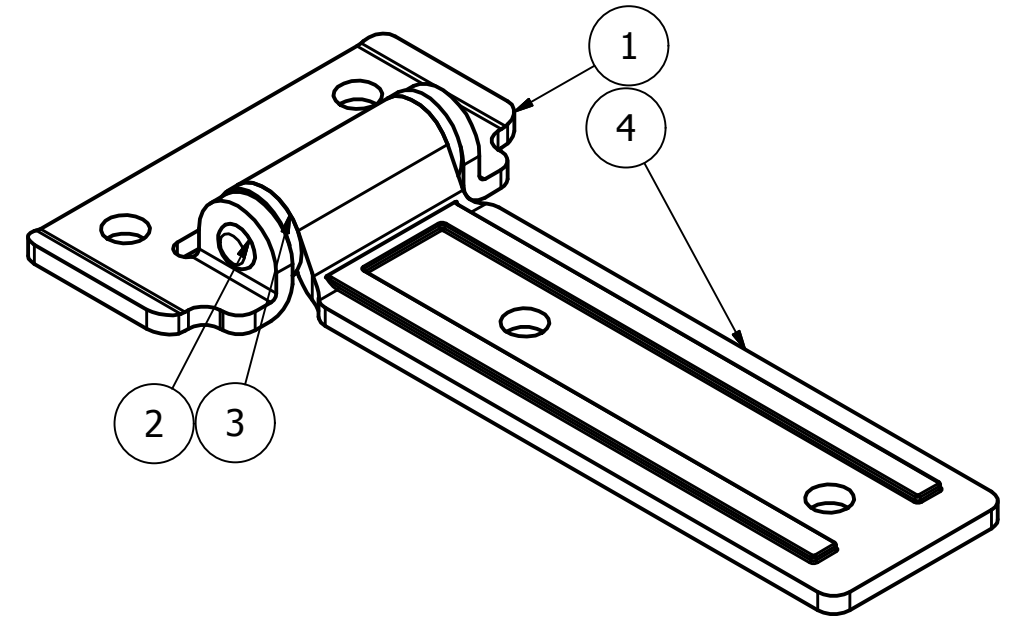
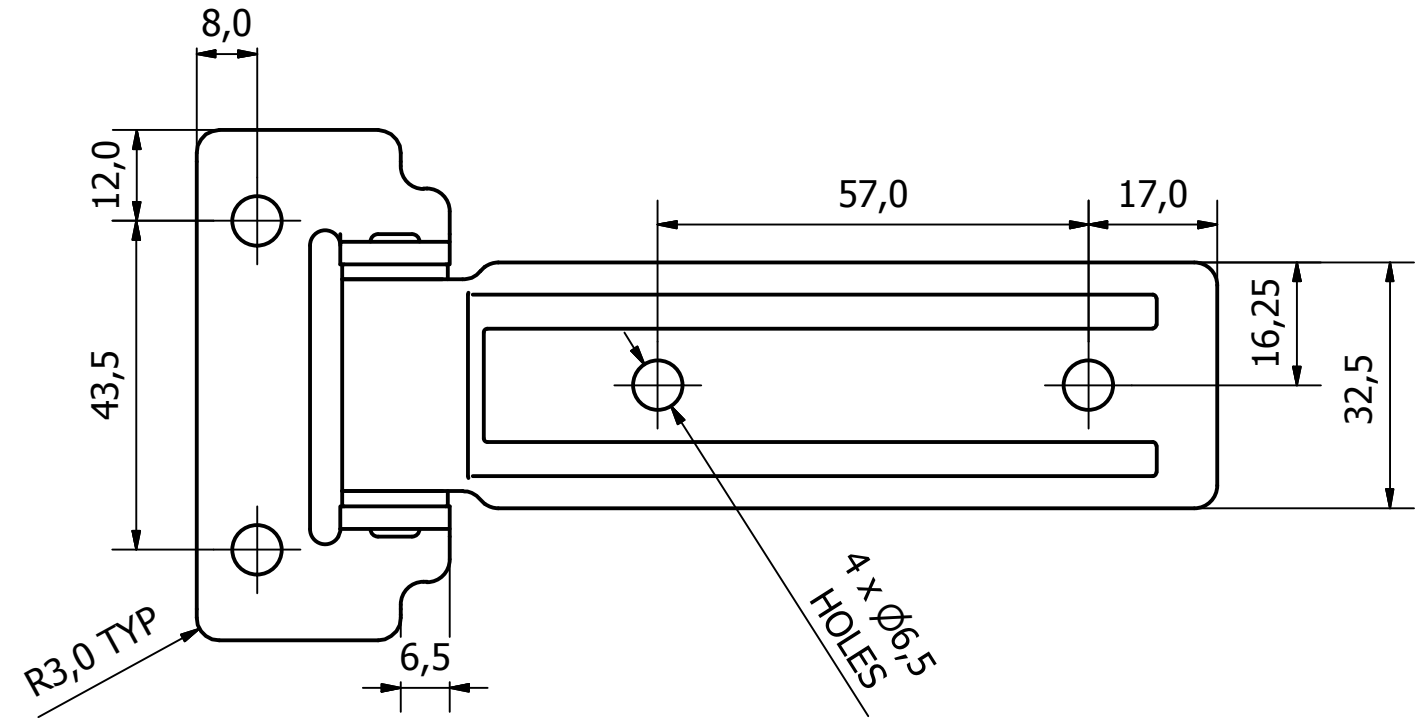


PARTS LIST

ITEM	QTY	PART NUMBER	DESCRIPTION
1	1	9810-6160-1	HINGE BASE PLATE - M/S
2	1	9810-6160-2	HINGE PIN M/S - 40 O/A
3	2	NYLON BUSH - 14 O-D	HINGE BUSH
4	1	9810-6180-1	HINGE MOUNTING PLATE - MS



NOTE:
HINGE DESIGNED FOR 180° APPLICATIONS
BUT CAN ROTATE THROUGH 270°

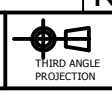
GENERAL TOLERANCES ON LENGTHS
0.5 - 6 ± 0.1mm
6 - 30 ± 0.2mm
30 - 120 ± 0.3mm
120 - 400 ± 0.5mm
400 - 1000 ± 0.8mm
1000 - 1200 ± 1.2mm
2000 - 4000 ± 2.0mm

ALBERT JAGGER LTD
GREEN LANE
WALSALL PHONE: 01922 471000
WEST MIDLANDS FAX: 01922 648021
WS2 8HG

THIS DRAWING & THE DESIGN SHOWN
ARE THE PROPERTY OF ALBERT JAGGER LTD
AND MUST NOT BE USED OR COPIED BY A
THIRD PARTY WITHOUT PERMISSION

DRAWN BY
U.F

CHECKED BY
A.P



SCALE
1 : 1

MATERIAL
-

MASS
0.153 kg

FINISH
Z/C
PASSIVATE

Date
26/09/2016

ALL DIMS IN MM
UNLESS STATED
DO NOT SCALE

A3

1	VALIDATION COMPLETE	19/10/16	A.P
REV	DESCRIPTION	DATE	APPROVED



PRESSED STEEL DOOR HINGE - M/STEEL

9810-6180

Edition
1

Sheet
1 / 1